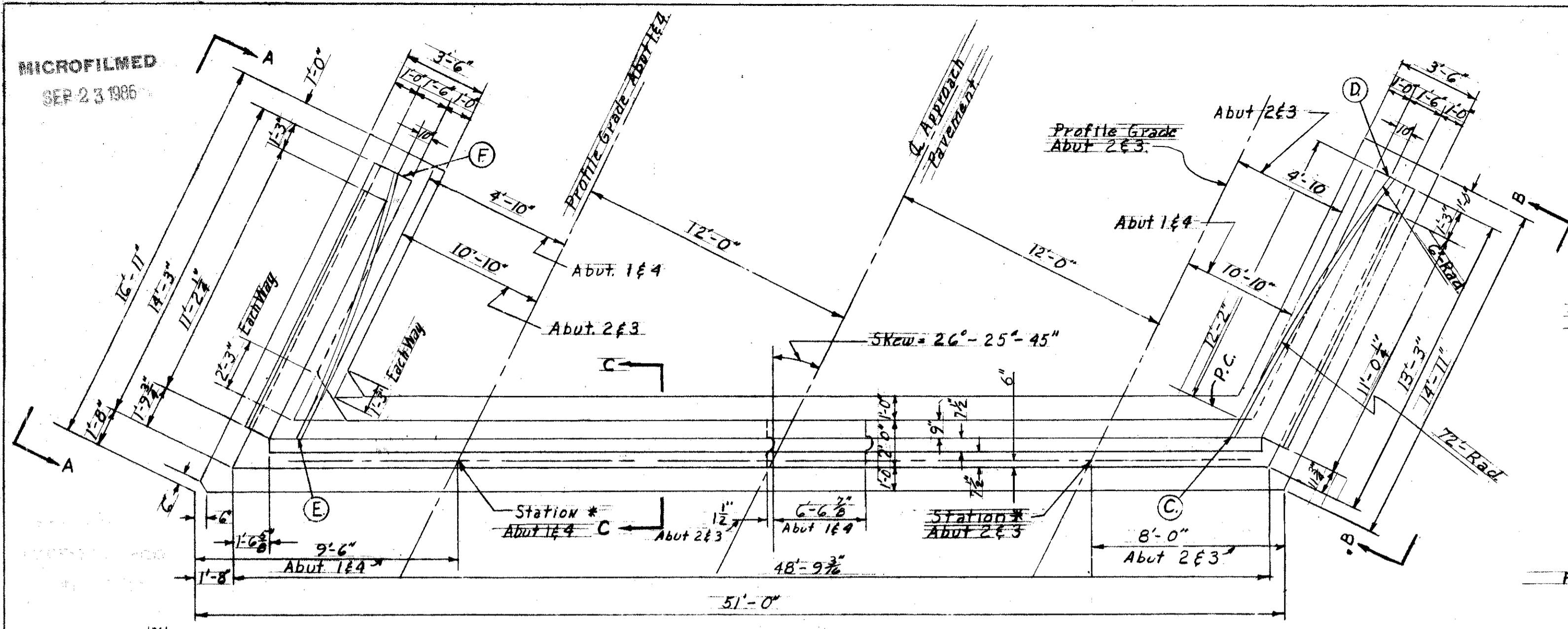
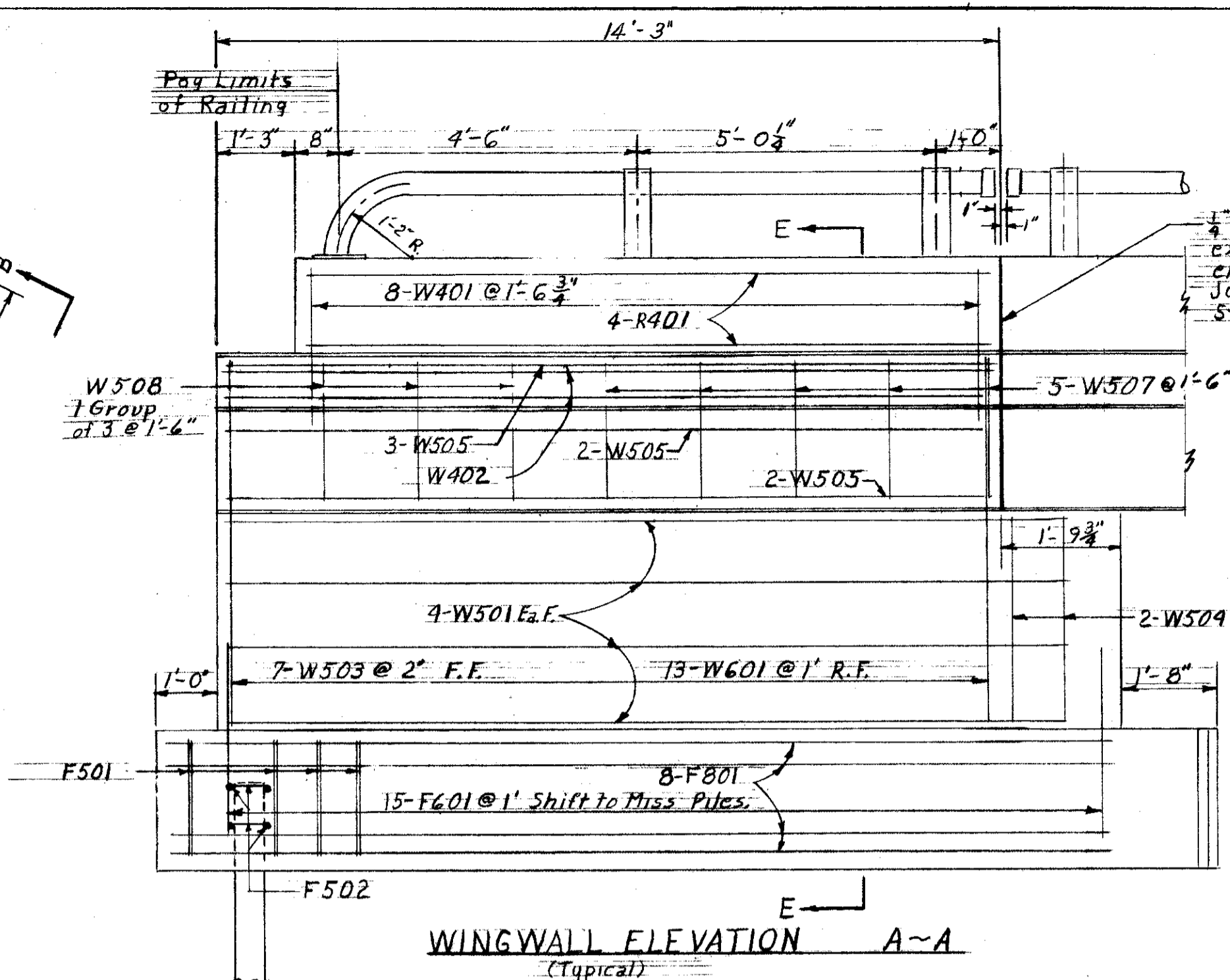


MICROFILMED  
SEP 23 1986

LAKE COUNTY  
SEC. LAK - 2 - 4.42

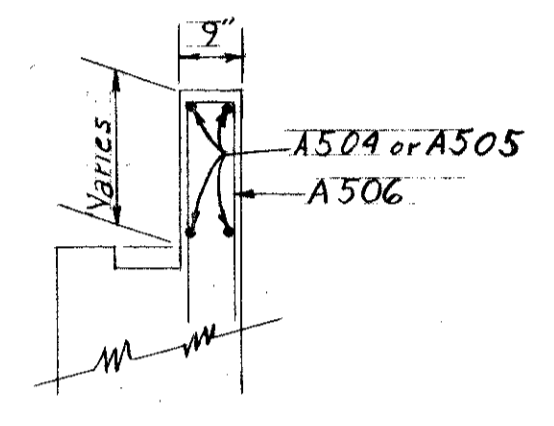


PLAN  
(Typical)

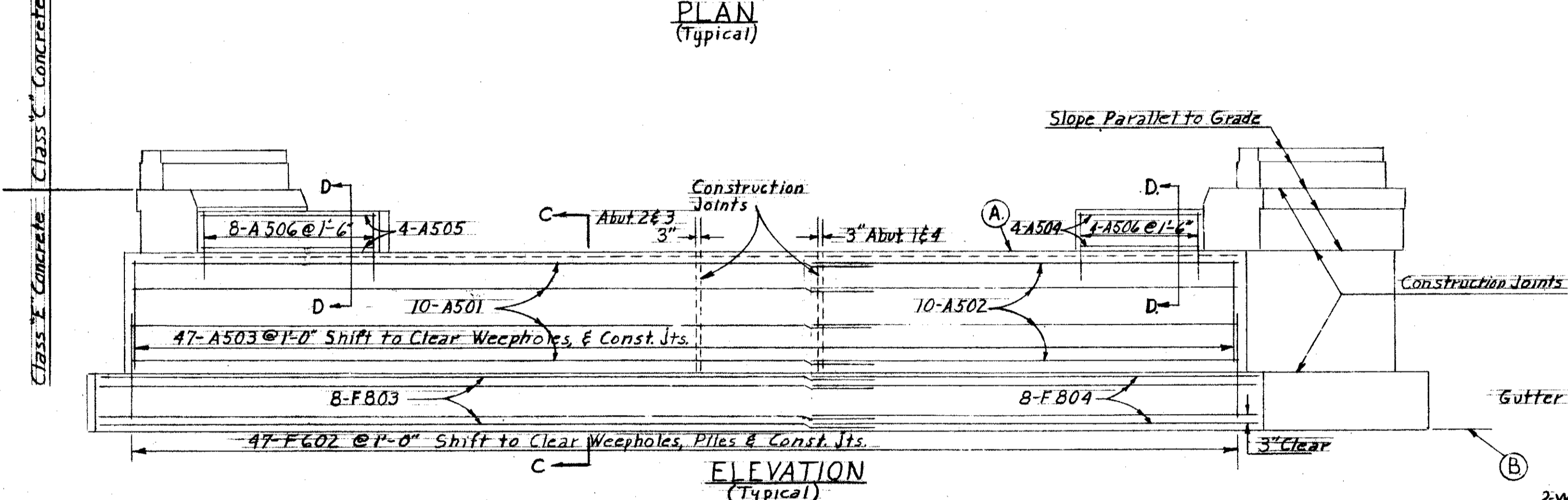


WINGWALL ELEVATION A-A  
(Typical)

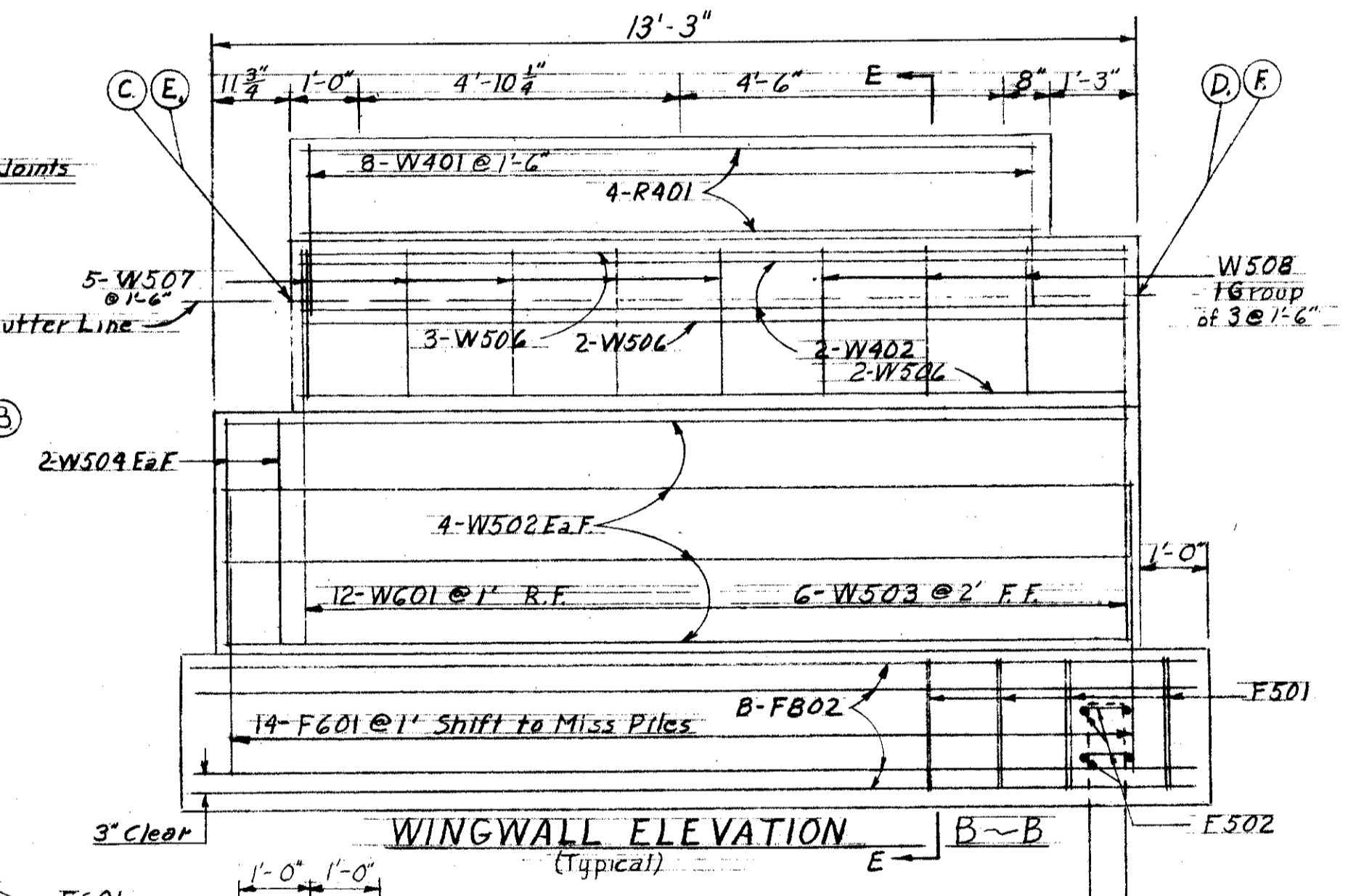
Gray Sponge rubber expansion joint filler (each end & in parapet deflection joints) Include with item 5-14 for payment.



SECTION D-D

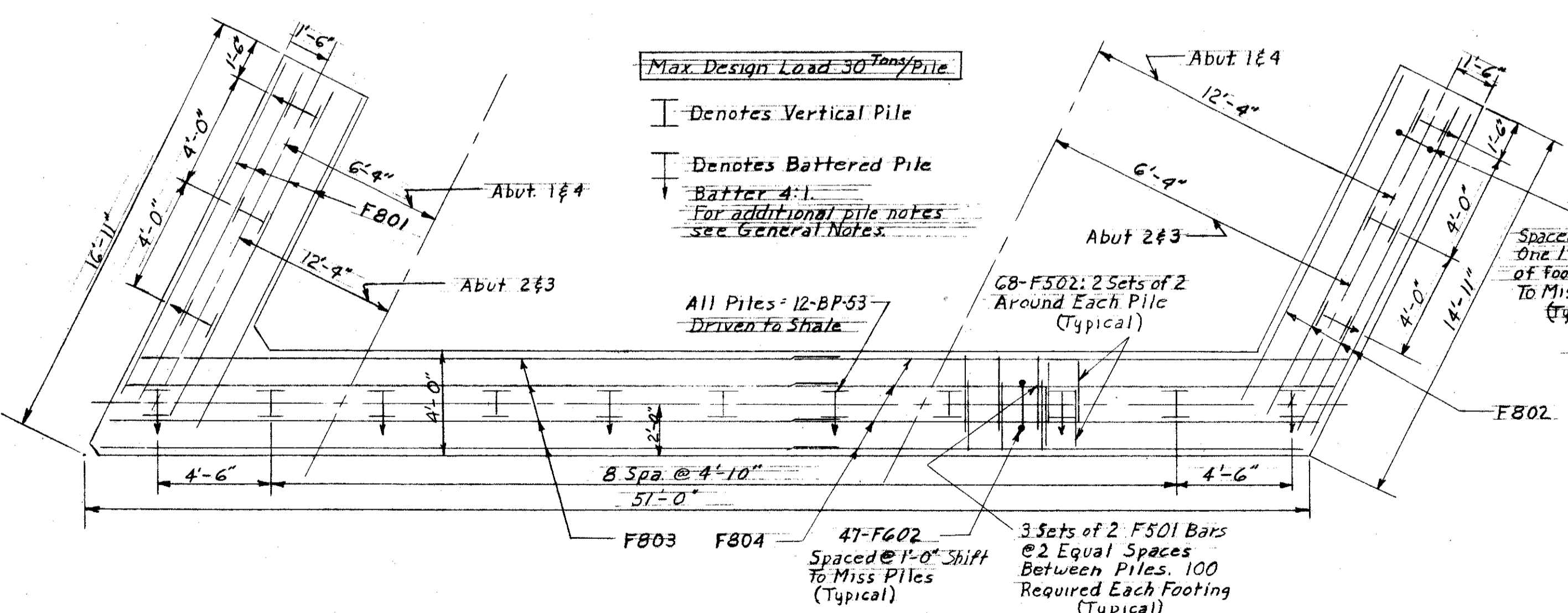


ELEVATION  
(Typical)

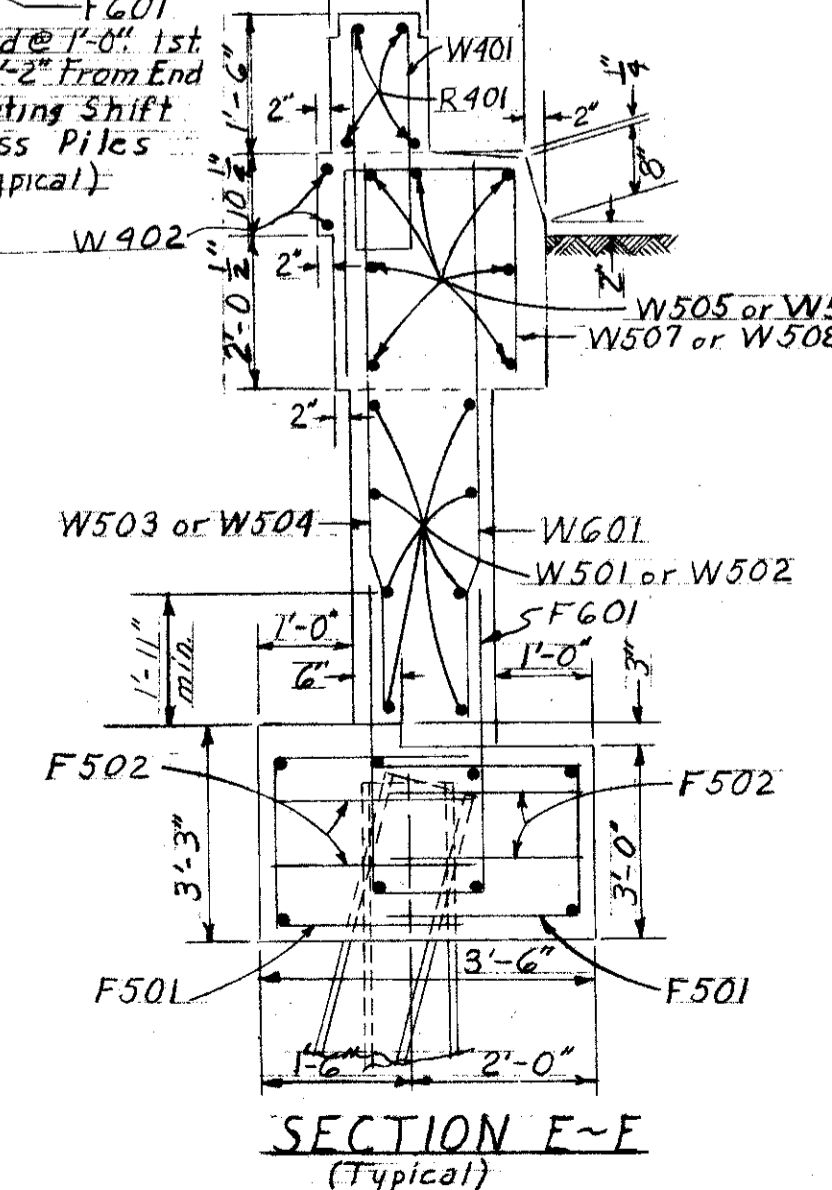


WINGWALL ELEVATION B-B  
(Typical)

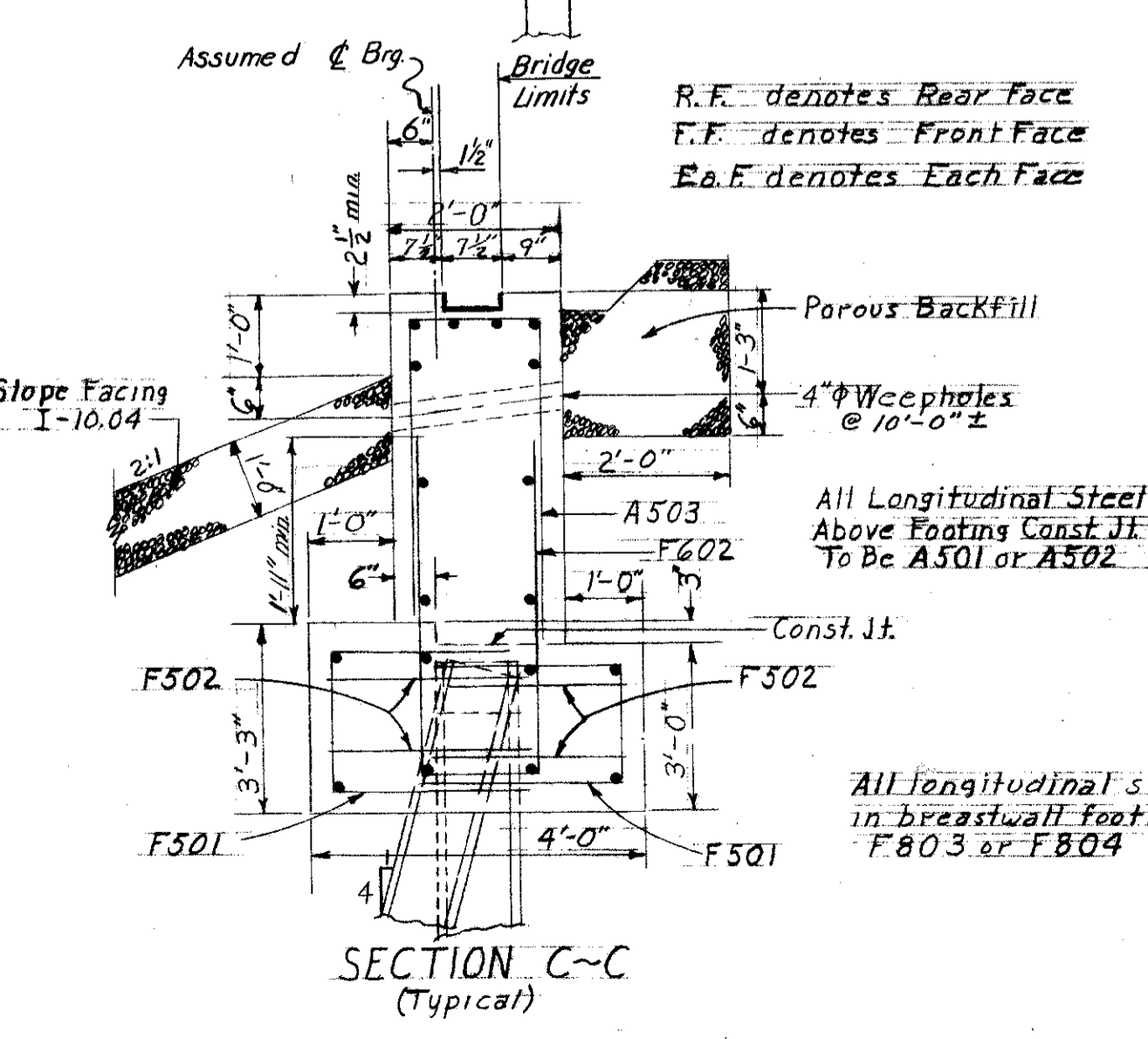
LOCATION	ELEVATIONS						STATIONS
	A	B	C	D	E	F	
Abutment #1	615.16	609.16	617.19	617.18	617.31	617.30	154+55.89
Abutment #2	615.20	609.20	617.32	617.31	617.24	617.23	154+73.79
Abutment #3	615.12	609.12	617.21	617.19	617.16	617.14	155+98.89
Abutment #4	615.00	609.00	617.18	617.15	617.04	617.00	156+76.79



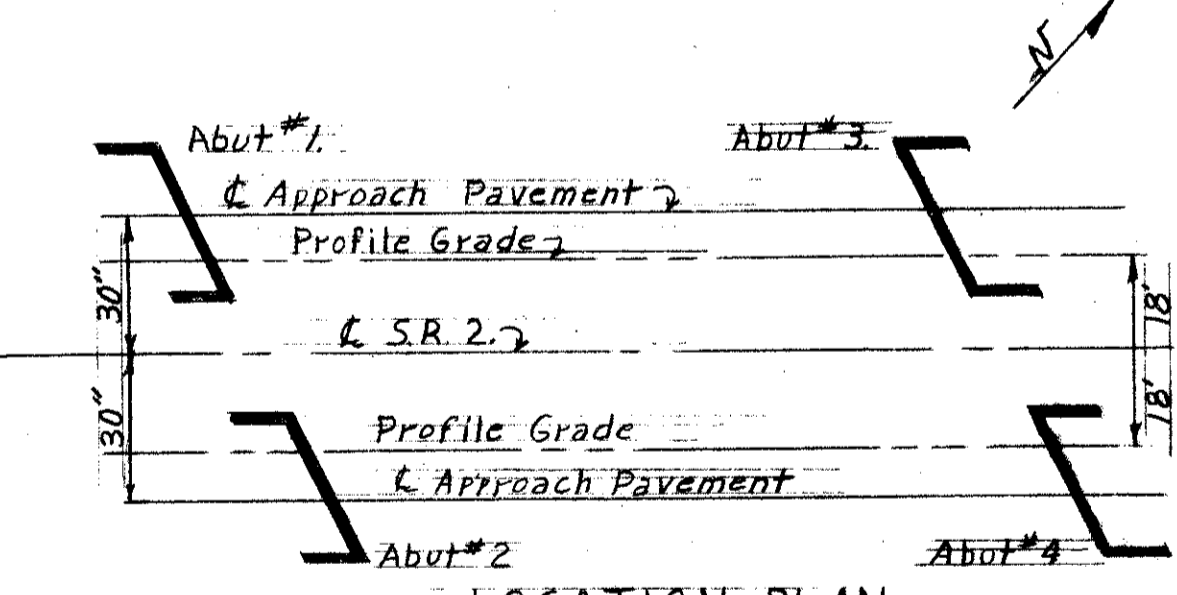
PLAN  
Showing Pile Layout & Footing Reinforcement  
(Typical)



SECTION E-F  
(Typical)



SECTION C-C  
(Typical)



LOCATION PLAN

All reinforcing steel shall have a min. of 2" of cover from all faces except as otherwise shown.

PREPARED BY  
CAPITOL ENGINEERING ASSOCIATES, DILLSBURG, PA  
FOR  
STATE OF OHIO  
DEPARTMENT OF HIGHWAYS  
DIVISION OF DESIGN AND CONSTRUCTION  
BUREAU OF BRIDGES

ABUTMENTS  
BRIDGE NO. LAK-2-0488  
S.R.2 OVER EXIST. ERIE ROAD  
LAKE COUNTY  
STA 155+36.34

DESIGNED	DRAWN	TRACED	CHECKED	REVISED DATE	REVISED
----------	-------	--------	---------	--------------	---------