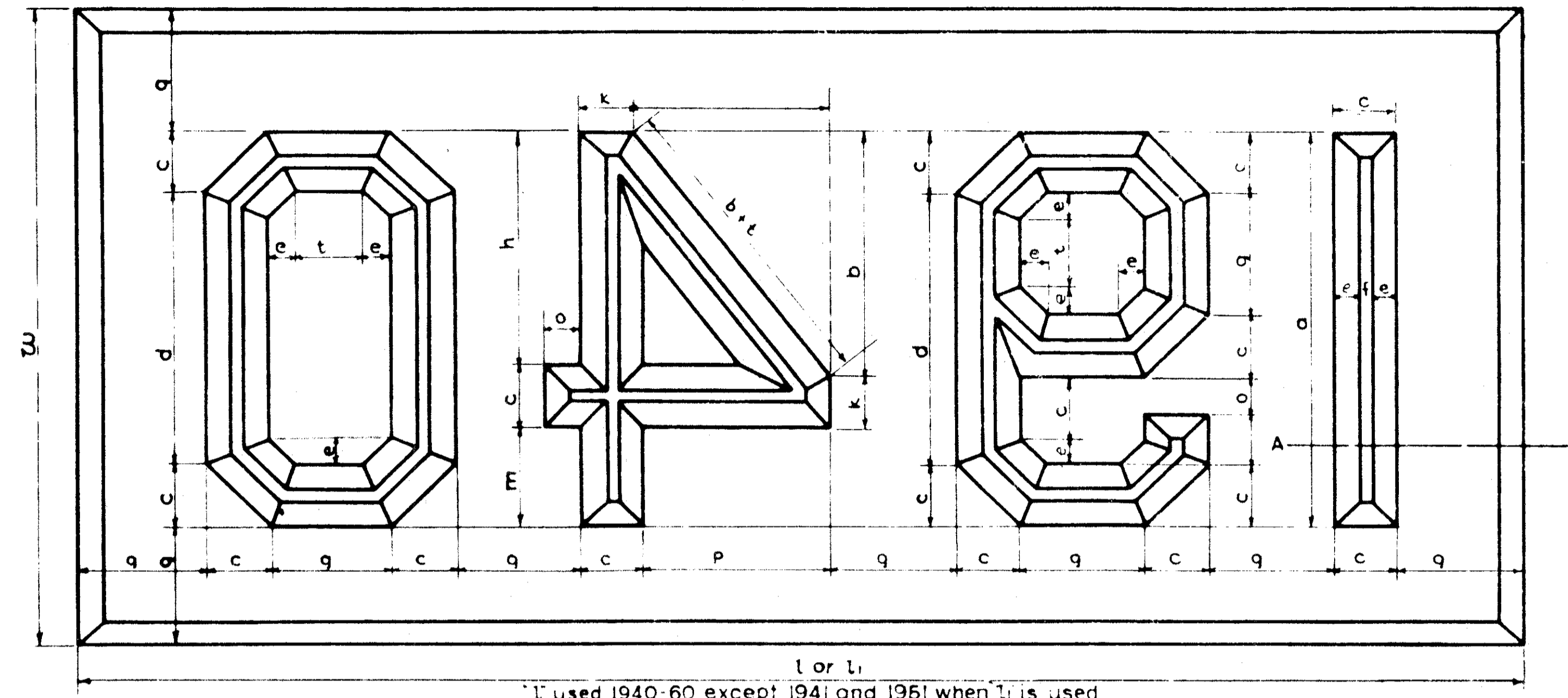
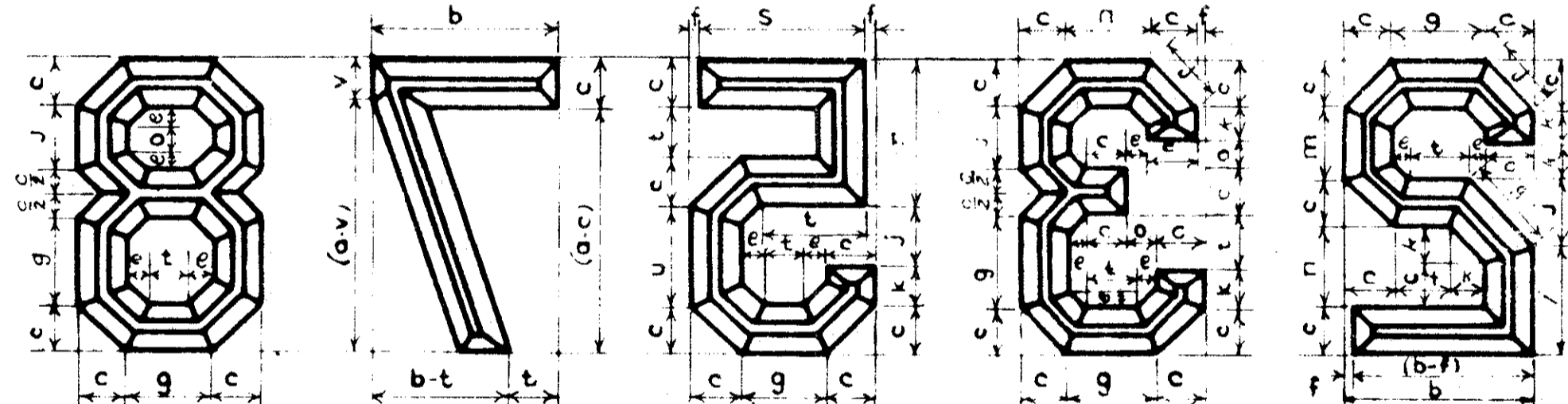


LAKE COUNTY  
SEC LAK-2-4.42



l or L  
L used 1940-60 except 1941 and 1951 when L is used



DIMENSIONS FOR VARIOUS SIZES OF LETTERS																								
a	b	c	d	e	f	g	h	i	j	k	m	n	o	p	r	s	t	u	v	x	l	l	w	
8"	5 1/4"	5 1/2"	7 1/4"	7 1/4"	2 1/2"	4 3/8"	3 1/4"	1 1/4"	2"	2 1/2"	3 3/4"	5 3/4"	4"	4 1/2"	1 3/4"	2 1/4"	7/8"	7/8"	2 5/8"	2 5/8"	15"			

STANDARD DATE PLATE FORM  
Incidental to concrete.

**FINAL REPORT ON MASONRY AS BUILT.**

Station and Plus at center of Bridge \_\_\_\_\_  
 A.F.E. No. \_\_\_\_\_ Built by \_\_\_\_\_  
 Work started \_\_\_\_\_ Work completed \_\_\_\_\_

DESCRIPTION	ACTUAL QUANTITIES				TOTAL QUANTITIES
	EAST ABUT.	WEST ABUT.	PIER		
Grading, Cu. Yards					
Dry Earth Excavated, Cu. Yd.					
Wet Earth Excavated, Cu. Yd.					
Dry Rock Excavated, Cu. Yd.					
Wet Rock Excavated, Cu. Yd.					
Foundation Piling, Lin. Ft.					
Cofferdam Timber, F. B. M.					
Steel Sheet Piling, left in, Tons.					
" " removed, Tons.					
Puddle Dam Material, Cu. Yd.					
Reinforcing Bars, Lbs.					
Class 'A' Concrete, Cu. Yd.					
" 'B' " " " " " " " " " " " " " " " "					
" 'C' " " " " " " " " " " " " " " " "					
" 'E' " " " " " " " " " " " " " " " "					
" 'X' " " " " " " " " " " " " " " " "					
Waterproofing, S. F.					
Source, Size, Kind, Stone					
" " Sand					
Brand of Cement					
Elevation Top of Tie					
" " Coating					
" " Footing					
Character of Foundation					
Bench mark used in Const., Location					
Elevation					Sea Level Datum
Bench mark established on Struct., Elevation					Sea Level Datum
Remarks					
I hereby certify that the above information is correct, and that on this print ALL deviations from the plan are correctly shown.					
Title _____ Date _____					
The above information and the changes shown on this print have been recorded on the original drawing this date.					
Checked by _____ Draftsman _____					

Correct \_\_\_\_\_  
 Engineer of Structures  
 \_\_\_\_\_  
 Assistant Chief Engineer  
 \_\_\_\_\_  
 Chief Engineer

Highway Bridge No. LAK-2-0453  
 N.Y.C SYSTEM OFFICE OF CHIEF ENGINEER NEW YORK, N.Y.  
 BRIDGE #56 1/2 C.E.I. Co. SPUR  
 GRADE SEPARATION  
 LAKELAND EXPRESSWAY (S.R.2)  
 WILLOUGHBY, OHIO  
 DATE PLATE PLAN

Western District	Lake Division	Sheet 10 of 11
Scale: as shown	Dec. 22-1958	Vol Sec. 203 File No. 93143

Date	By	Description