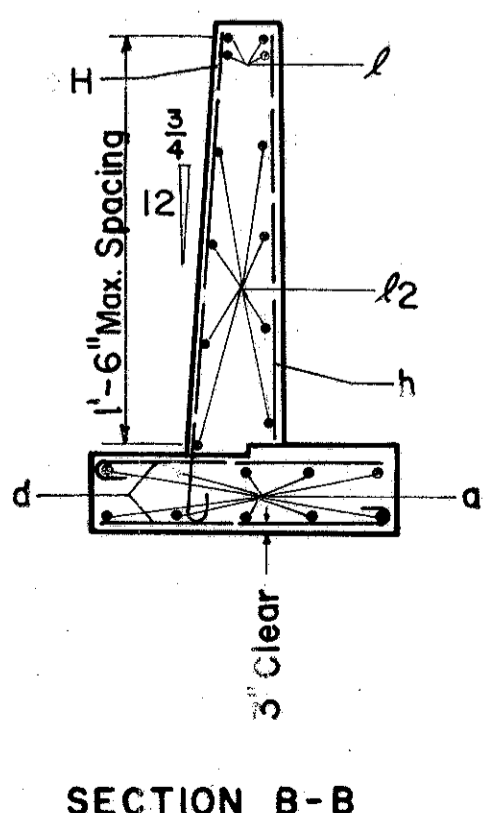


HEADWALL DIMENSIONS

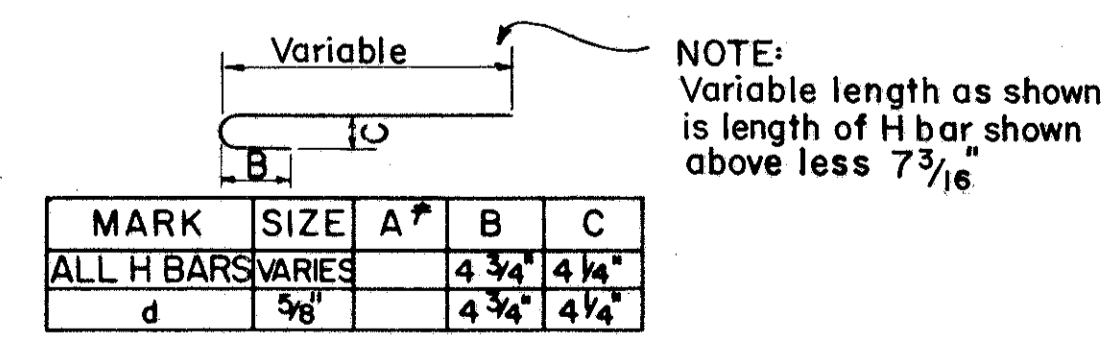
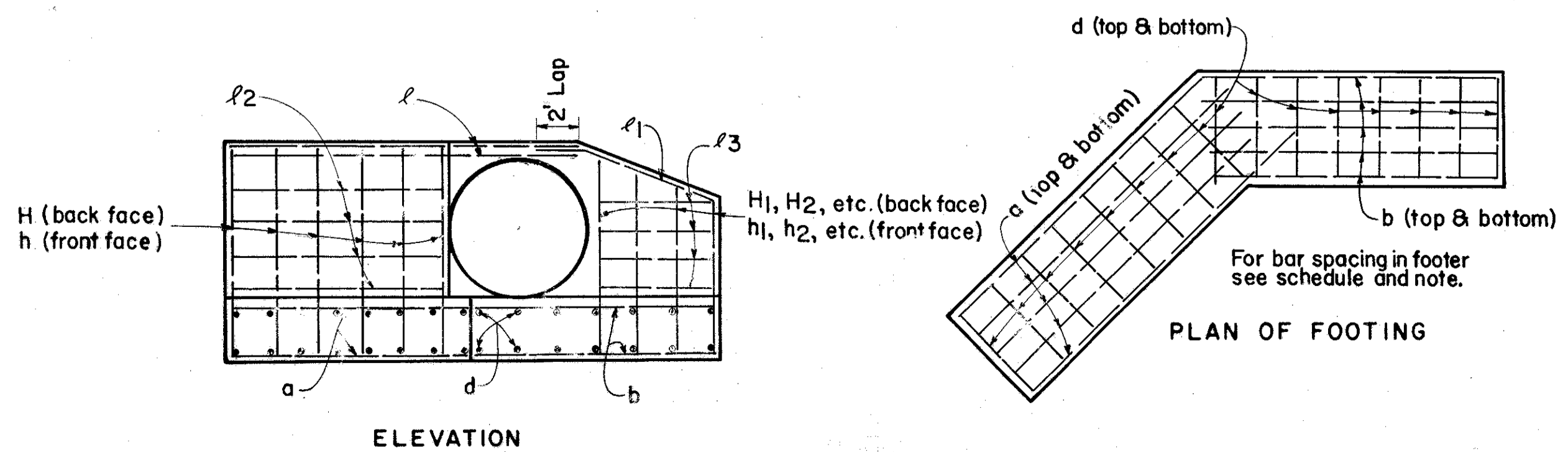
STRUCTURE NO.	STATION*	PIPE SIZE	H	L	L ₁	L ₂	W	A	B	C	D	E	F	G
LAK-2-0461	143+09 Lt.	42	5'-3"	8'-3"	9'-6"	5'-3"	4'-6"	1'-5"			3'-0"		1'-6"	3'-10"
LAK-2-0461	143+09 Rt.	42	5'-5"	8'-10"	9'-3"	5'-1"	4'-7"	1'-6"			3'-0"		1'-6"	3'-9"
LAK-2-0709	274+00 Lt.	83 1/2"	6'-0"	10'-9"	16'-6"	9'-1"	5'-0"	1'-9"			3'-0"		1'-6"	4'-11"
LAK-2-0709	274+00 Rt.	83 1/2"	5'-8"	10'-1"	17'-6"	10'-2"	4'-9"	1'-8"			3'-0"		1'-6"	5'-5"
ST. CLAIR ST. 81.5 Lt.	42"	5'-11"	9'-9"	9'-2"	4'-10"	4'-10"	1'-8"				3'-0"		1'-6"	3'-9"
ST. CLAIR ST. 81.5 Rt.	42"	5'-1"	7'-3"	10'-1"	5'-10"	4'-5"	1'-5"				3'-0"		1'-6"	4'-2"
LOST NATION RD. 33+33 Rt.	36"	4'-0"	7'-8"	7'-9"	4'-10"	3'-6"	1'-0"				3'-0"		1'-0"	2'-9"

REINFORCING STEEL LIST & CONCRETE QUANTITIES

STRUCTURE NO.	STATION*	PIPE SIZE	SKEW	MARK NO.	MARK NO.	MARK NO.	MARK NO.	MARK NO.	MARK NO.	MARK NO.	MARK NO.	MARK NO.	MARK NO.	MARK NO.	MARK NO.	MARK NO.	MARK NO.	MARK NO.	MARK NO.	MARK NO.	MARK NO.	MARK NO.	MARK NO.	MARK NO.	MARK NO.	MARK NO.	MARK NO.	MARK NO.	MARK NO.	MARK NO.	S-4* REINFORCING STEEL LBS.	S-1* CLASS "C" CONCRETE CU. YDS.	STRUCTURE DETAILS SHEET NO.								
																																		a	b	c	d	ℓ	ℓ ₁	ℓ ₂	ℓ ₃
LAK-2-0461	143+09 Lt.	42"	18° R.F.	8'-4"	8	9'-10"	8	4'-9"	26	12'-7"	4	7'-3"	2	7'-11"	6	4'-7"	8	8'-3"	5	8'-3"	1	7'-10"	1	7'-4"	1	6'-10"	1	4'-11"	5	4'-11"	1	4'-6"	1	4'-0"	1	3'-6"	1	554	13.5	221	
LAK-2-0461	143+09 Rt.	42"	18° R.F.	9'-4"	8	9'-5"	8	4'-10"	26	12'-10"	4	7'-2"	2	8'-6"	6	4'-5"	8	8'-5"	6	8'-5"	1	7'-10"	1	7'-4"	1	6'-9"	1	5'-1"	6	5'-1"	1	4'-6"	1	4'-0"	1	3'-5"	1	583	14.1	221	
LAK-2-0709	274+00 Lt.	83 1/2"	13°	10'-10"	8	16'-7"	8	5'-3"	38	18'-0"	4	10'-11"	2	10'-5"	8	8'-2"	8	9'-2"	6	9'-2"	1	8'-11"	1	8'-9"	1	8'-6"	1	5'-10"	6	5'-10"	1	5'-7"	1	5'-5"	1	5'-2"	1	CONT.	919	22.4	223
LAK-2-0709	274+00 Rt.	83 1/2"	3°	10'-2"	8	17'-7"	8	5'-0"	38	17'-3"	4	12'-0"	2	9'-9"	8	9'-3"	10	8'-10"	6	8'-10"	1	8'-9"	1	8'-9"	1	8'-8"	1	5'-6"	6	5'-6"	1	5'-5"	1	5'-5"	1	5'-4"	1	CONT.	882	21.4	223
ST. CLAIR ST. 81.5 Lt.	42"	16° R.F.	10'-0"	8	9'-3"	8	5'-1"	28	14'-2"	6	7'-2"	2	9'-5"	6	4'-2"	8	9'-3"	6	9'-3"	1	8'-6"	1	7'-9"	1	7'-1"	1	5'-7"	6	5'-7"	1	4'-10"	1	4'-1"	1	3'-5"	1	692	15.9	221		
ST. CLAIR ST. 81.5 Rt.	42"	16° R.F.	7'-6"	8	10'-2"	8	4'-8"	26	11'-7"	4	7'-9"	2	6'-11"	6	5'-2"	8	8'-4"	5	8'-4"	1	8'-0"	1	7'-9"	1	7'-6"	1	4'-9"	5	4'-9"	1	4'-5"	1	4'-1"	1	3'-10"	1	544	12.9	221		
LOST NATION RD. 33+33 Rt.	36"	17° L.F.	7'-9"	6	7'-10"	6	3'-9"	22	10'-5"	4	6'-10"	2	7'-4"	6	4'-5"	6	7'-2"	5	7'-2"	1	6'-7"	1	5'-11"	1	3'-10"	5	3'-0"	1	3'-2"	1	2'-7"	1	403	7.9	225						



NOTE:
The number of a & b bars shown above shall be equally spaced across the footer.



*Varies
NOTE:
For additional information see Std. Constr. Dwg. Hdwl. A, B & C.
Mark ℓ & ℓ₁ bars shall be bent in the field.

*NOTE:
Quantities shown are for one Hdwl. Vertical Bars spaced @ 2'-0" c-c. Horizontal Bars spaced @ 1'-6" c-c Max.
Reinforcing shall have 2" clearance unless otherwise indicated.
Reinforcing Steel: All bars 5/8" φ except: H bars in structure LAK-2-0709 Lt. & Rt. shall be 3/4" φ St. Clair St. Lt.