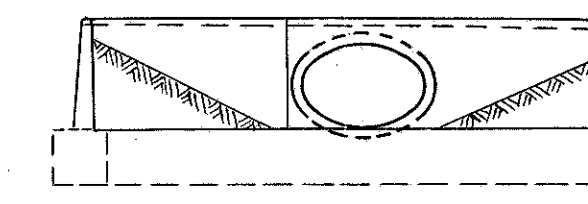


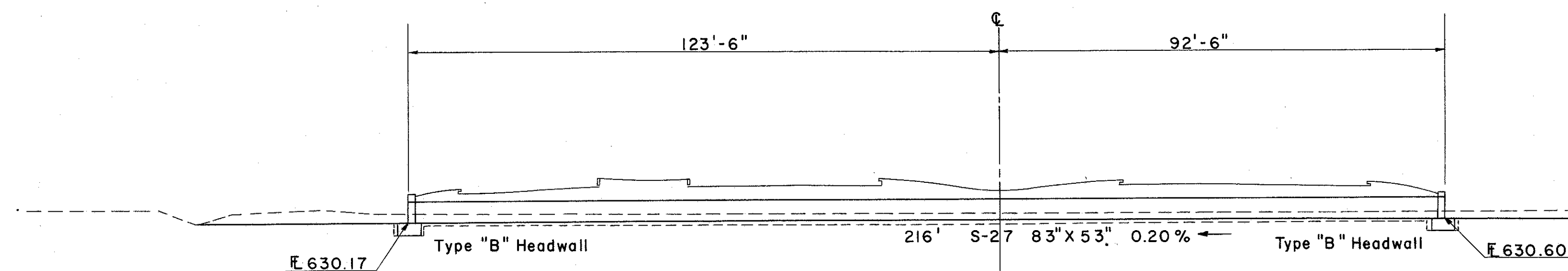
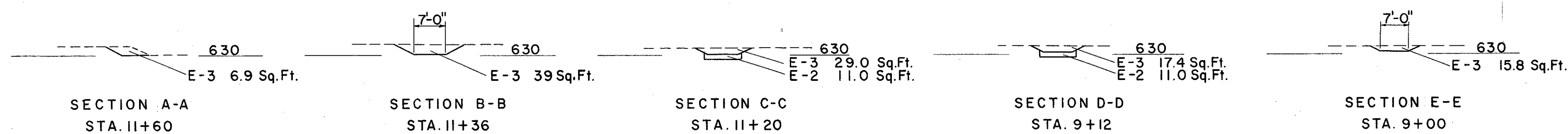
END VIEW LEFT
Scale: 1"=10'



END VIEW RIGHT
Scale: 1"=10'

AREA = 190 ACRES
Q₂₅ = 104 C.F.S.

HEADWATER = 3.53 FT.
OUTLET VELOCITY = 6.1 F.P.S.



ESTIMATED QUANTITIES

* E-2	Excavation For Structures	160 C.Y.
E-3	Channel Excavation	180 C.Y.
S-1	Conc. For Structures Cl. "C"	438 C.Y.
S-4	Reinforcing Steel	1801 LBS.
L-10	Sodding	11 S.Y.
S-27	83" X 53" Pipe For Roadway Culverts Sec. M-206.6 (b)	216 L.F.

* Includes Headwall Exc.

CULVERT DATA

TYPE: S-27 M-206.6 (b)
 SIZE: 216' - 83" X 53"
 WORK REQ'D.: Build a Pipe Culvert With Type
 "B" Headwalls. Excavate Channel
 Rt. & Lt. Sodding Rt. & Lt.

NOTE: For Details and Quantities of Headwall
 See Sheet No. 227