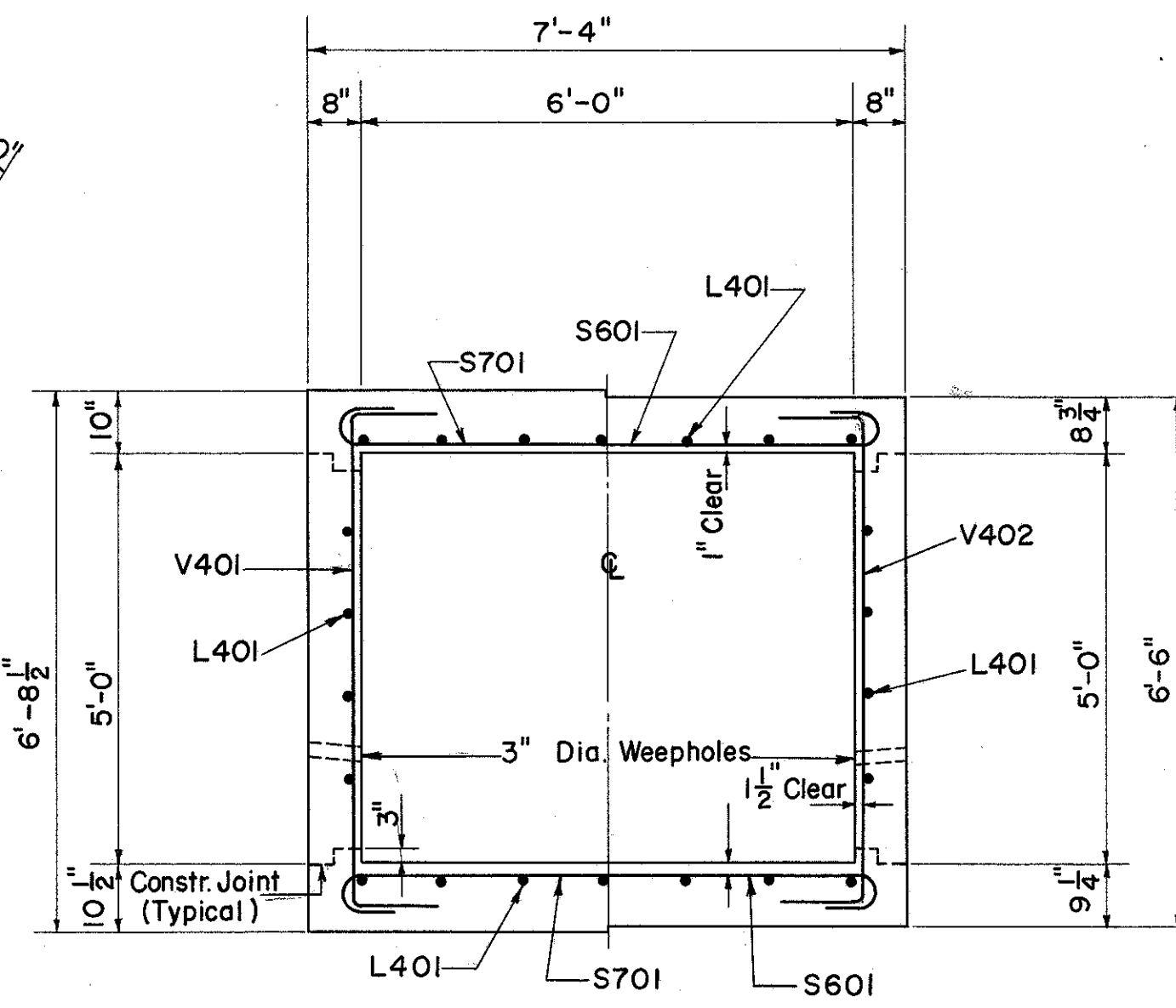
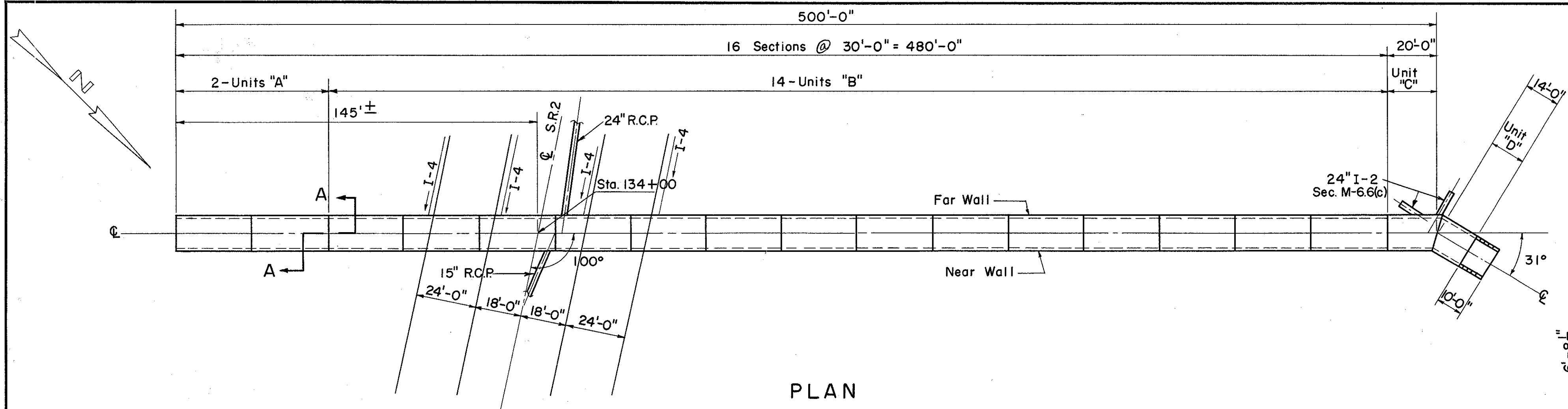
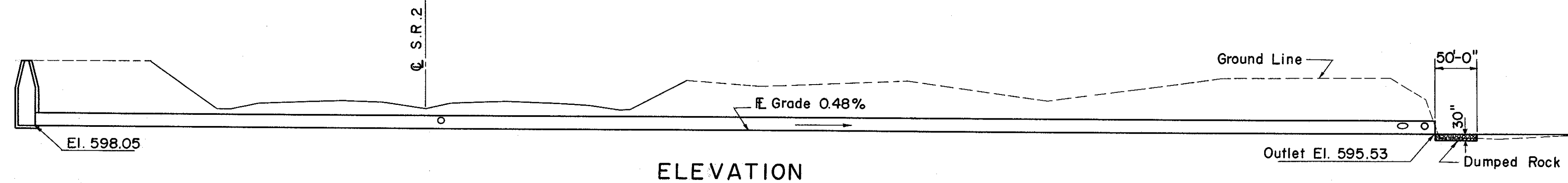


LAKE COUNTY
SEC. LAK-2-4.42

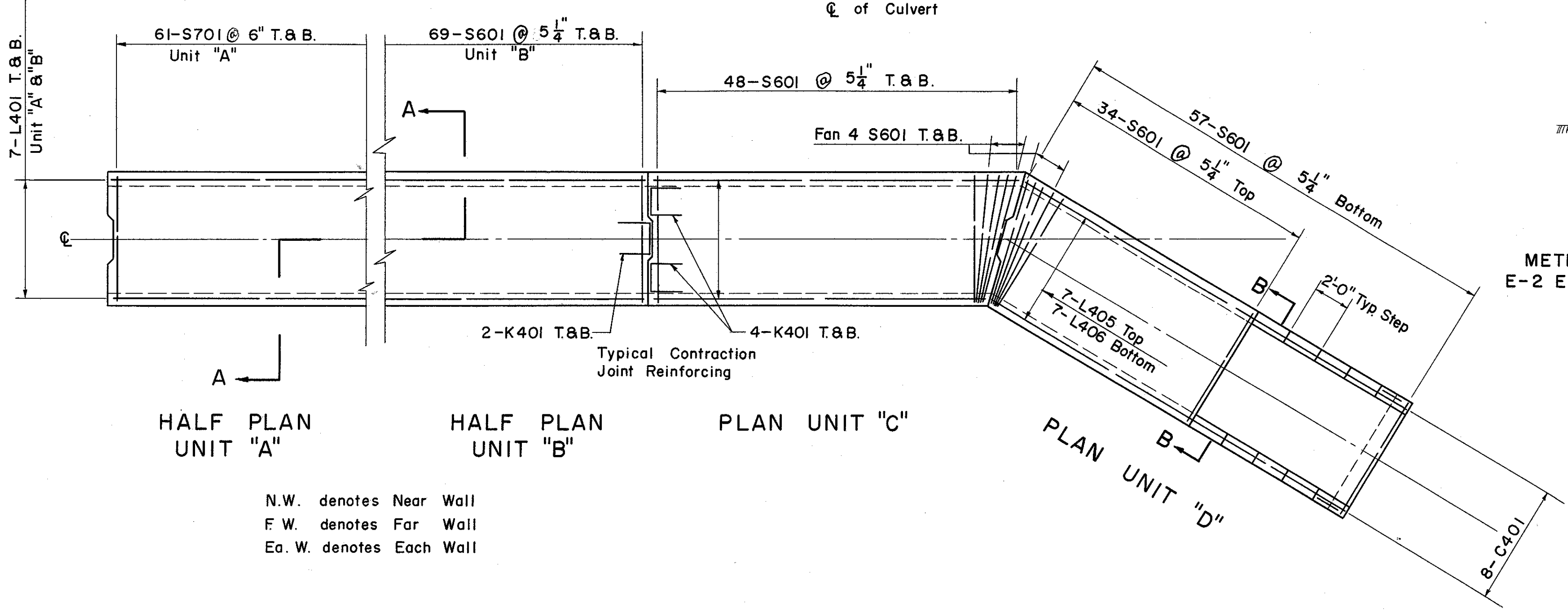
REINFORCING STEEL LIST						
MARK	NO.	LENGTH	SHAPE	"A"	"B"	NO. OF EA. WGT.
L401	352	29'-9"	Str.			6,995
L402	14	18'-6" to 20'-6"	Str.	Varies by 4"	2	183
L403	4	20'-9"	Str.			55
L404	4	18'-4"	Str.			50
L405	7	14'-6" to 12'-6"	Str.	Varies by 4"	1	63
L406	7	24'-6" to 22'-6"	Str.	Varies by 4"	1	110
L407	4	22'-6" to 16'-6"	Str.	Varies by 2'	1	52
L408	4	24'-6" to 18'-6"	Str.	Varies by 2'	1	58
L409	2	3'-3"	Str.			4
C401	8	3'-3"	4	2'-0"	1'-3"	17
C402	1	7'-0"	Str.			5
V401	136	7'-3"	2	1'-0"	6'-3"	659
V402	936	7'-0"	2	1'-0"	6'-0"	4,377
E401	2	12'-0"	4	11'-0"	1'-0"	16
K401	204	3'-1"	3	6"	2'-1"	420
K402	204	2'-10"	3	6"	1'-10"	385
W401	6	7'-3"	4	6'-3"	1'-0"	29
W402	6	6'-3"	4	5'-3"	1'-0"	25
W403	6	5'-3"	4	4'-3"	1'-0"	21
W404	6	4'-3"	4	3'-3"	1'-0"	17
W405	6	3'-3"	4	2'-3"	1'-0"	13
S601	2,119	8'-2"	1	8"	6'-10"	25,971
S701	244	8'-6"	1	10"	6'-10"	4,239
TOTAL						43,764



SECTION A-A



ELEVATION
of Culvert



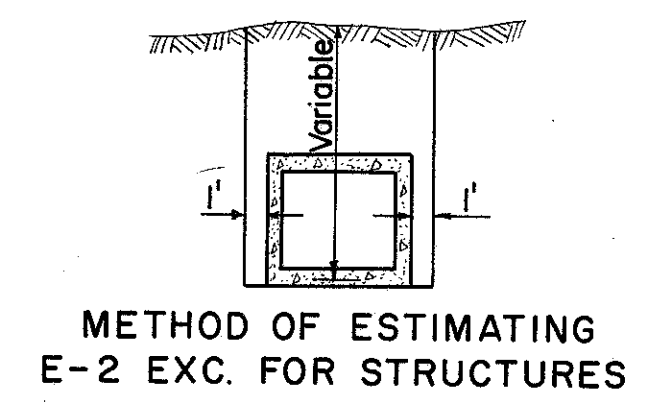
HALF PLAN
UNIT "A"

HALF PLAN
UNIT "B"

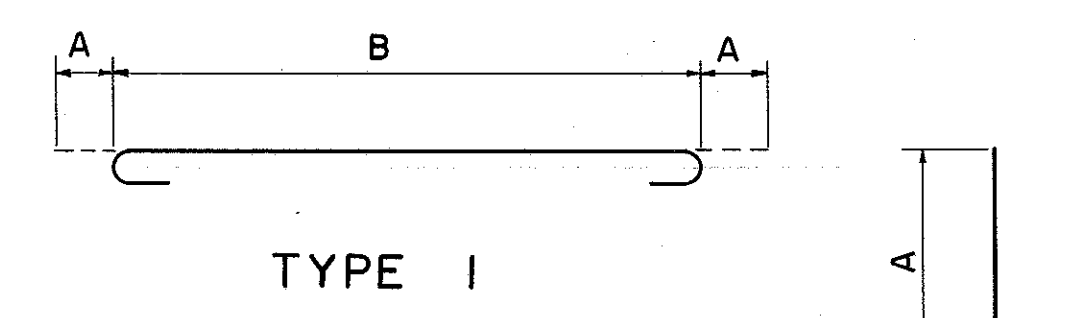
PLAN UNIT "C"

PLAN UNIT "D"

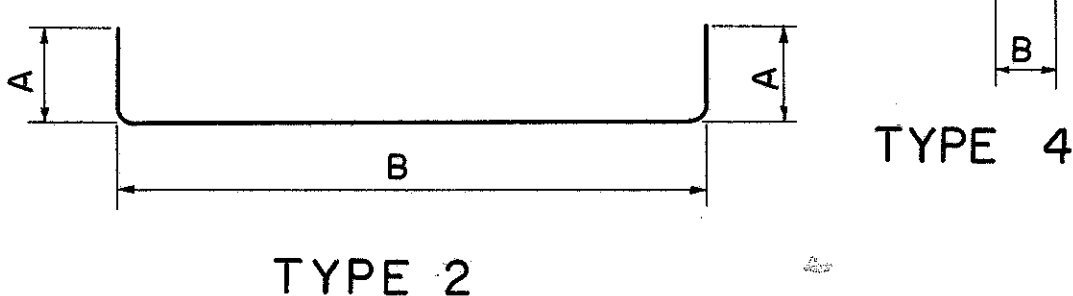
N.W. denotes Near Wall
F.W. denotes Far Wall
Ea.W. denotes Each Wall



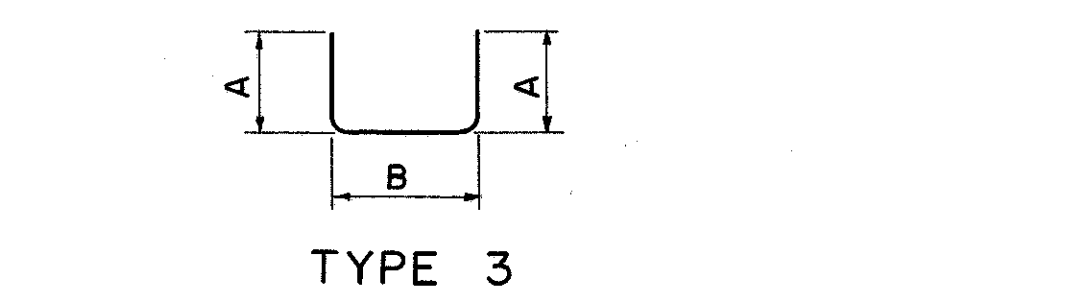
METHOD OF ESTIMATING
E-2 EXC. FOR STRUCTURES



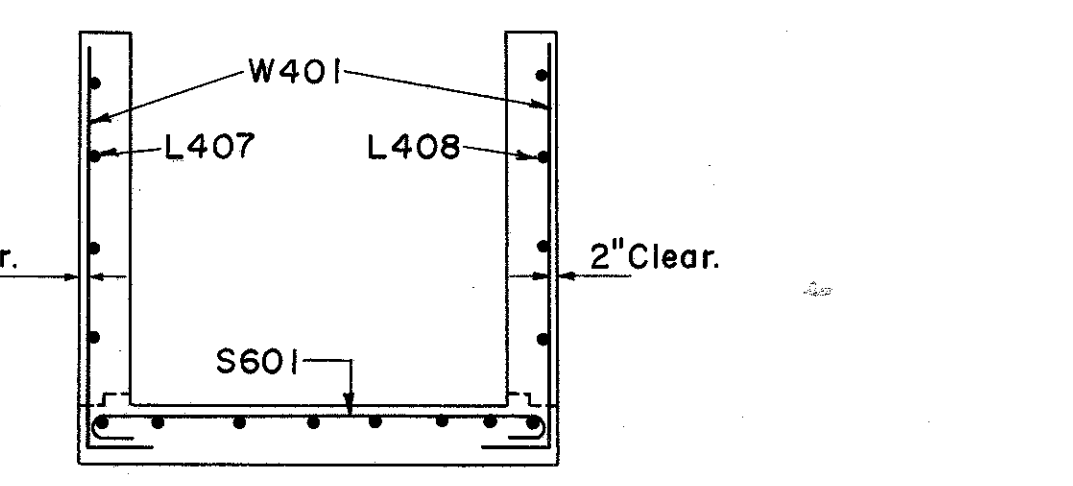
TYPE 1



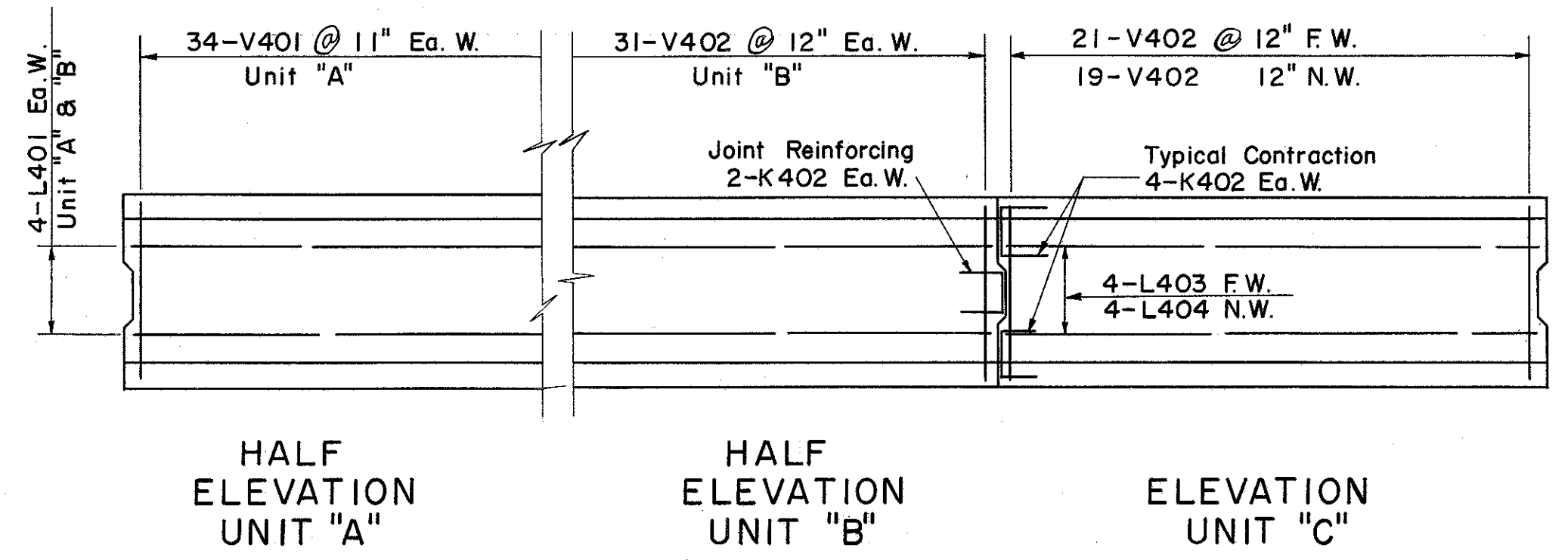
TYPE 2



TYPE 3



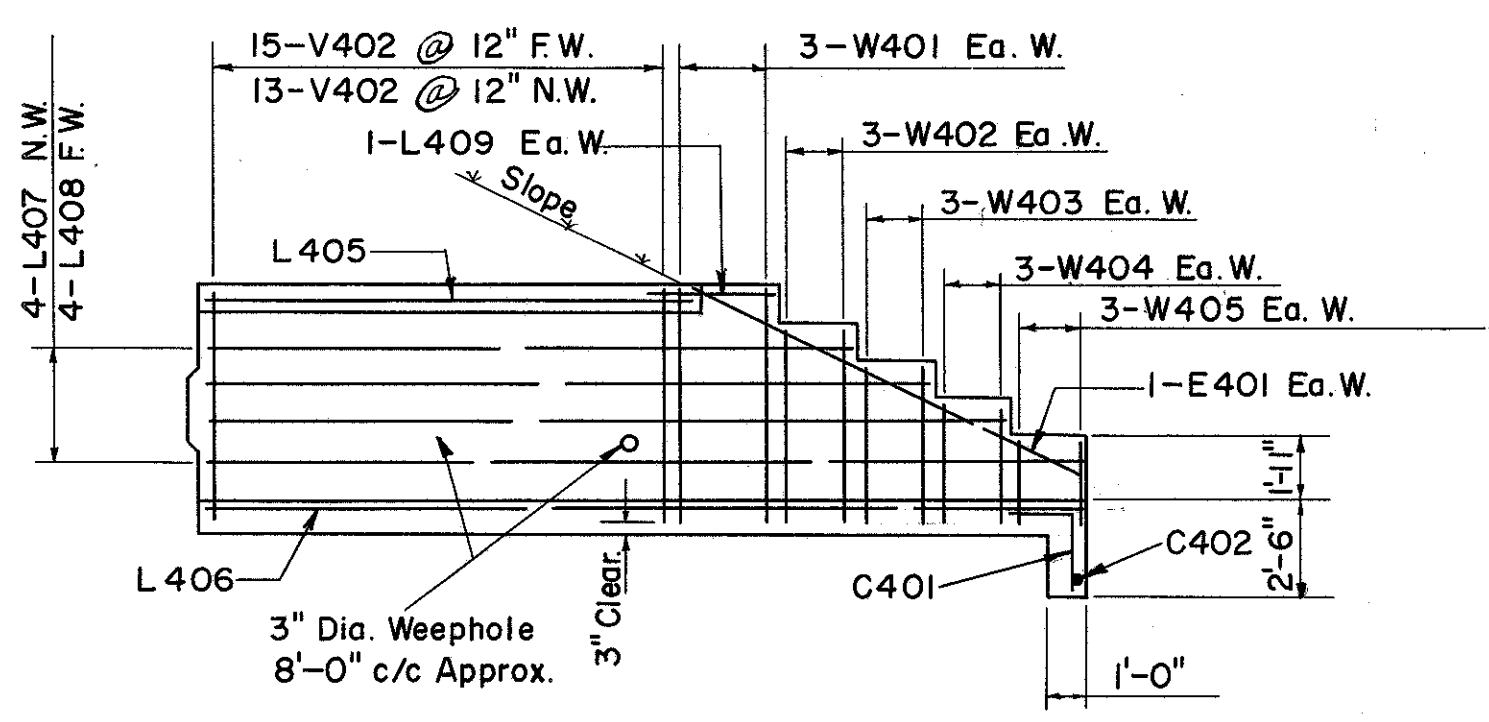
TYPE 4



HALF
ELEVATION
UNIT "A"

HALF
ELEVATION
UNIT "B"

ELEVATION
UNIT "C"



ELEVATION
UNIT "D"

ESTIMATED QUANTITIES			
ITEM	UNIT	DESCRIPTION	TOTAL
E-2	Cu. Yd.	Excavation for Structure	2,590
E-3	Cu. Yd.	Channel Excavation	120
S-1	Cu. Yd.	Class "C" Concrete	342
S-4	Lbs.	Reinforcing Steel	43,764
I-10	Cu. Yd.	Dumped Rock Channel Protection	93

NOTES:
Reference is made to Standard Drawing SBC-45
Sheets 1 and 2 revised 9-18-47.

All Concrete shall be Class "C".

Reinforcing Steel shall be placed to clear
pipe inlets.

PREPARED BY
CAPITOL ENGINEERING ASSOCIATES, DILLSBURG, PA.
FOR

STATE OF OHIO
DEPARTMENT OF HIGHWAYS
DIVISION OF DESIGN AND CONSTRUCTION
BUREAU OF BRIDGES

STRUCTURE
LAK-2-0444
UNDER RELOC. S.R.2
LAKE COUNTY
STA. 134 + 00

DESIGNED	DRAWN	TRACED	CHECKED	REVISED	DATE	REVISED