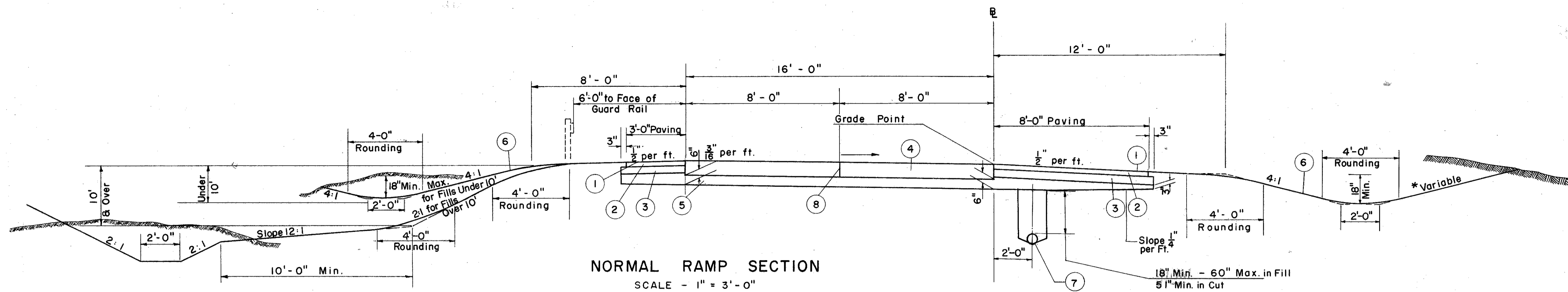


# TYPICAL SECTIONS

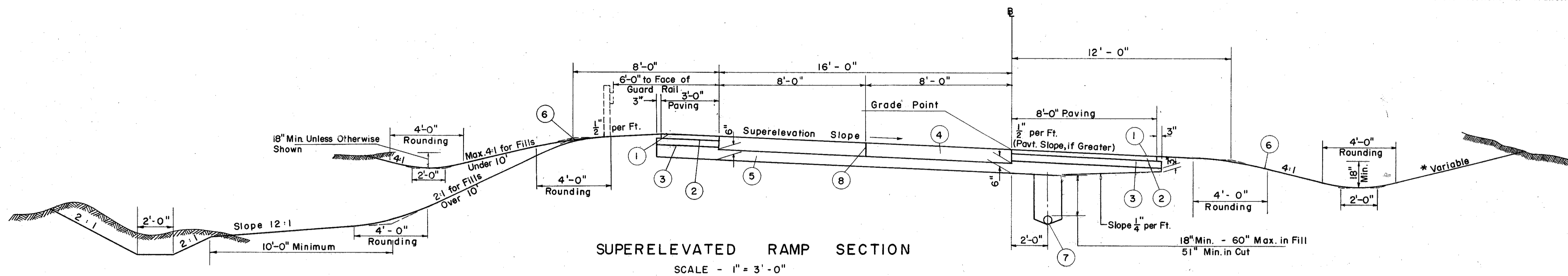
TYPE T-71

FED. RD. DIVISION	STATE	PROJECT	
2	OHIO	F-U-329 (15)	4 297

LAKE COUNTY  
LAK-2-4.42



\* 4:1 Slope for cuts up to five feet in depth  
Variable Slope for cuts five to ten feet in depth  
2:1 Slope for cuts ten feet or more in depth  
See Cross Sections for Transition



## LEGEND

- ① T-31 Bituminous Surface Treatment (See Note in Proposal)
- ② B-33 3" Bituminous Macadam Base Course
- ③ I-18 Stabilized Crushed Aggregate Shoulders & Approaches 5" Depth
- ④ T-71 10" Reinforced Portland Cement Concrete Pavement
- ⑤ I-22 Variable Depth Subbase Grading A or B, as Per Plan.
- ⑥ L-9 Seeding & Protecting
- ⑦ I-4 6" Pipe Underdrain
- ⑧ Standard Longitudinal Joint

