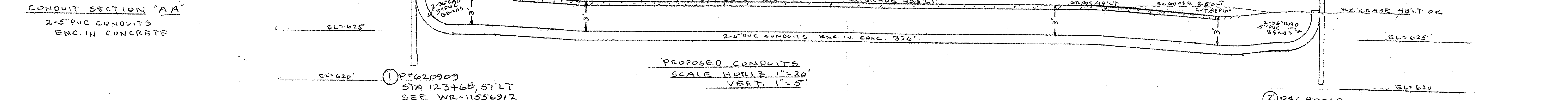
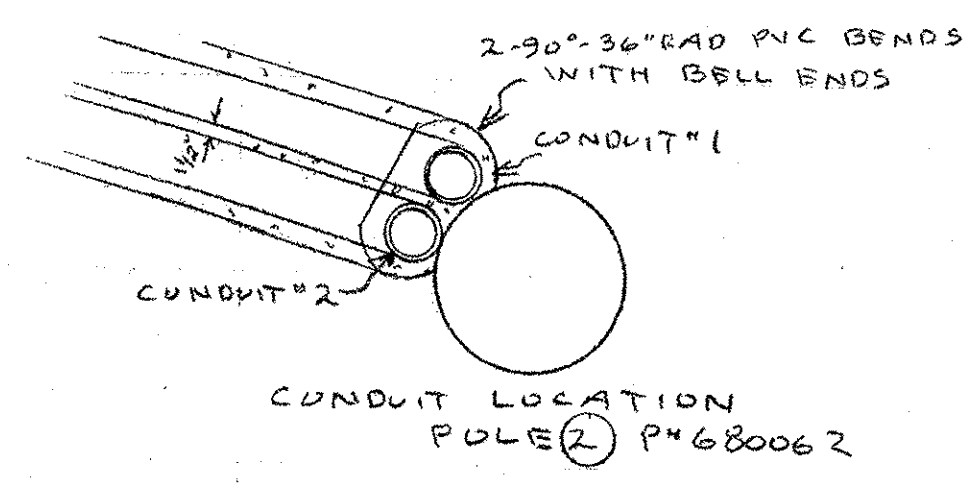
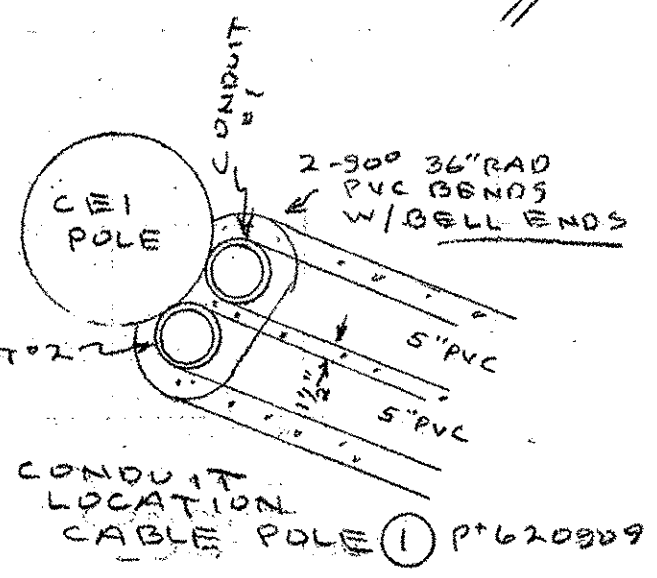
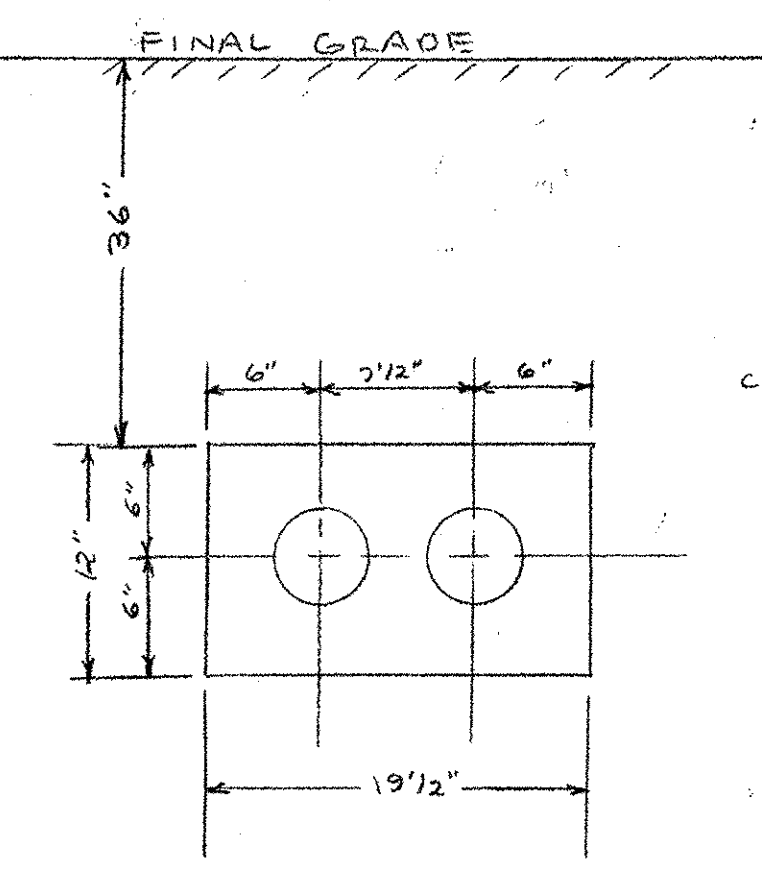
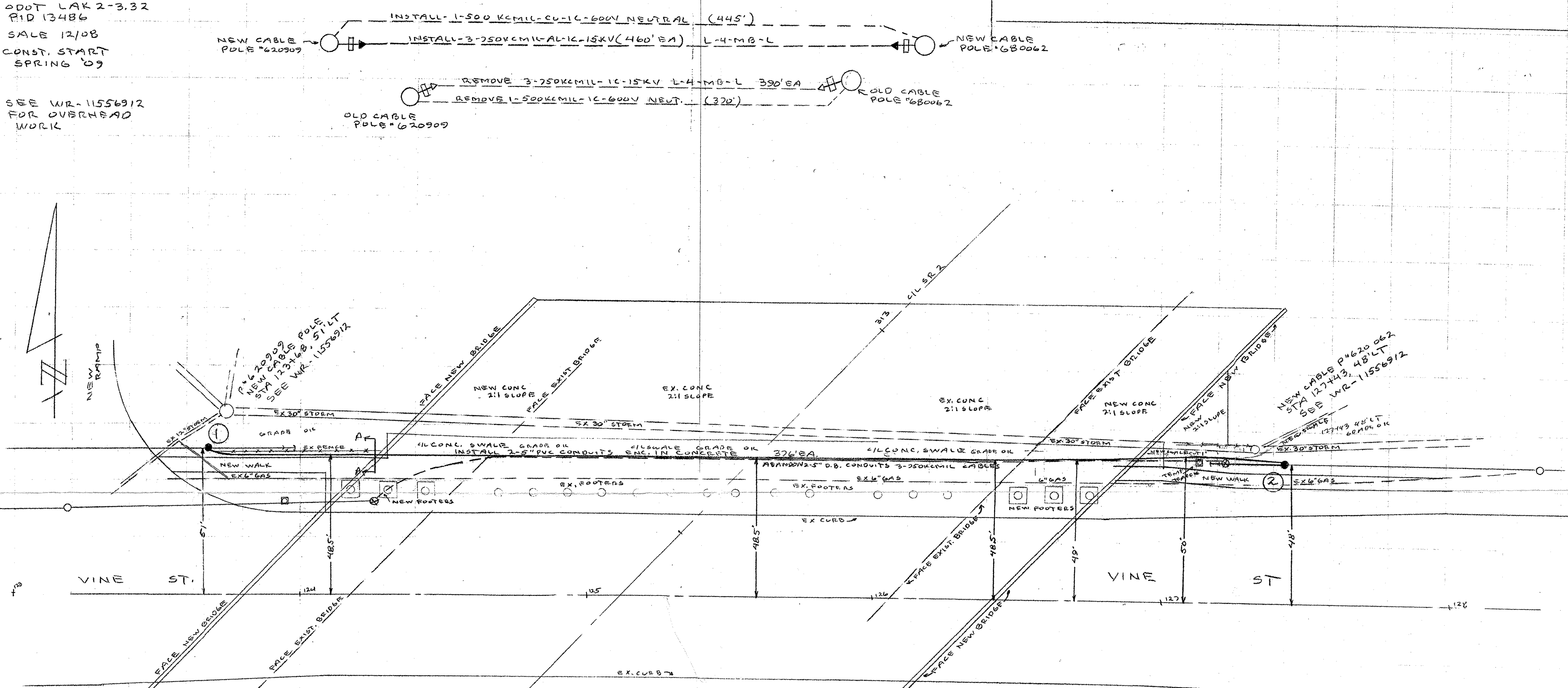


THE C.E.I. CO. REGISTERED 12/23/08 P.C. PIPING REFERENCE # GRID #
 FILE WR-11716078 DATE 6/19/08 SHEET 1 OF 1
 SURVEY FOR STATE OF OHIO
 ADDRESS VINE ST AT SR2
 PROJECT WILLDOUGHBY SCALE 1"=20'
 ORDER FOR SHIELD UNDERGROUND CONDUITS
 PREPARED BY SURVEY R. KERNY DMM ENGINEERING
 CHECKED BY R. KERNY DMM ENGINEERING
 CONSTRUCTION PERMITS J.O. B.T.O.
 CONSUMER'S CHARGE
 DATE J.P. FOR-EST. O.H. CABLE SERV. PART. REC. ENR. R.O. NEW. TOTAL
 - - 5 4 2 2 1 1 12
 RETURN TO RIGHT-OF-WAY BEFORE SCHEDULING JOINT POLE RELEASE
 DATE CLEARED
 REVISION HISTORY
 R CHECK MARK NEXT TO EACH ITEM ON THE SKETCH INCLUDING CHANGES INDICATES THAT THE WORK HAS BEEN COMPLETED
 KIND OF POLE(S) INSTALLED BY SYMBOL
 POLES LEFT FOR TO REMOVE
 DATE WORK COMPLETED SUPERVISOR'S SIGNATURE
 UNDERGROUND FACILITIES WARNING
 HIGH PRESSURE PIPELINE SYMBOL CHECKED BY SPECIAL INSTRUCTIONS
 O.H. TRANSMISSION CLEARANCE WARNING
 FT. MIN. CLEARANCE REQUIRED AT DEGREES F.
 AT SYMBOLS
 ENGINEERING CHECKED BY: DATE
 CONSTRUCTION CHECKED BY: DATE

2 WORKING DAYS BEFORE YOU DIG "IT'S THE LAW" CALL TOLL FREE 800-362-2764 OHIO UTILITIES PROTECTION SERVICE
 L-4-MB-L 13.2KV
 ORDER# 12405417
 WBS# CN-000795
 PLOT LAK 2-3.32 PID 13486
 SALE 12/08
 CONST. START SPRING '09
 SEE WR-11556912 FOR OVERHEAD WORK

CABLE WORK BY CEI CO CABLE CREWS BETWEEN ① & ②
 INSTALL - 3-250 KCMIL AL-IC-15KV XLP CABLES (460' EA)
 INSTALL - 1-500 KCMIL CU-IC-600V XLP NEUT. CABLE (445')
 REMOVE - 3-250 KCMIL-IC-15KV XLP CABLES (390' EA)
 REMOVE - 1-500 KCMIL-CU-IC-600V XLP NEUT. CABLE (370')

CONDUIT WORK BY CONTRACTOR BETWEEN ① & ②
 INSTALL - 2-5" PVC, DB SCHED 120 CONDUIT ENC. IN CONCRETE (376' EA)
 HAND DIG TO EXPOSE EXISTING 2-5" DB CONDUITS
 REPAIR CONCRETE
 AT CABLE POLES ① & ②
 INSTALL - 2-5" PVC 90°, 36" RAD. BENDS
 INSTALL - SUITABLE FULL ROPES IN CONDUITS



① P#620909 STA 123+68, 51' LT SEE WR-11556912 FOR POLE WORK

* NOTE: EXISTING 2-5" DB. CONDUITS APPROX. 47'-48' LT C/L ± APPROX 3' COVER INSTALL NEW CONCRETE ENCASED CONDUITS NEXT TO EXISTING CONDUITS. MAINTAIN EXISTING CABLES AS LONG AS POSSIBLE. AFTER NEW CONDUITS AND CABLES ARE INSTALLED CEI TO REMOVE OLD CABLES AND ABANDON OLD CONDUITS

② P#680062 STA 127+43, 48' LT SEE WR-11556912 FOR POLE WORK