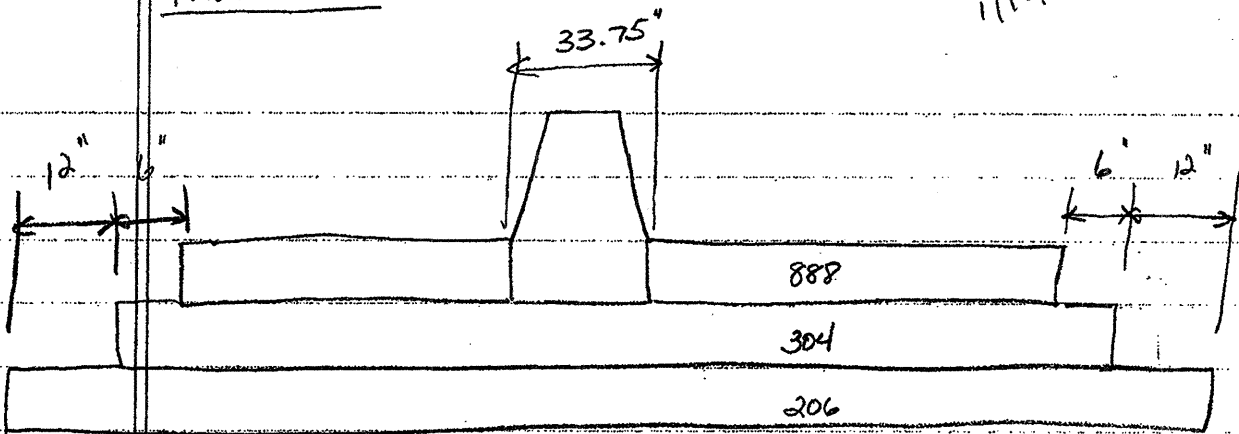


Main Line

REVISED
1/13/09

1/3



From consultant's spreadsheet

WB \Rightarrow $L = 23,000'$ $w = \text{Varies}$ area of concrete = $1,511,287$ SF

EB \Rightarrow $L = 23,012'$ $w = \text{Varies}$ area of concrete = $1,508,215$ SF

total = $3,079,502$ SF

Item 888 = $335,500$ SY

= $342,167$ SY

for Item 304 \Rightarrow add 6" step and 33.75" under barrier

WB = $(23000')(1.90625') = 43843.75$ SF

EB = $(23012')(1.90625') = 43866.625$ SF

total = 87710.375 SF

= 9745.6 SY

$342,167$
 $335,500 + 9746 = 345,246$ SY

$345,246$ (6"/36) = 58652 cy

Item 304 = 58652 cy

for Item 206 \Rightarrow add 12" step

WB = $(23000')(1') = 23000$ SF

EB = $(23012')(1') = 23012$ SF

total = $46,012$ SF

= 5112 SY

$351,913$
 $345,246 + 5112 =$

$357,025$
 $350,358$ SY

Item 206 = $357,025$ SY