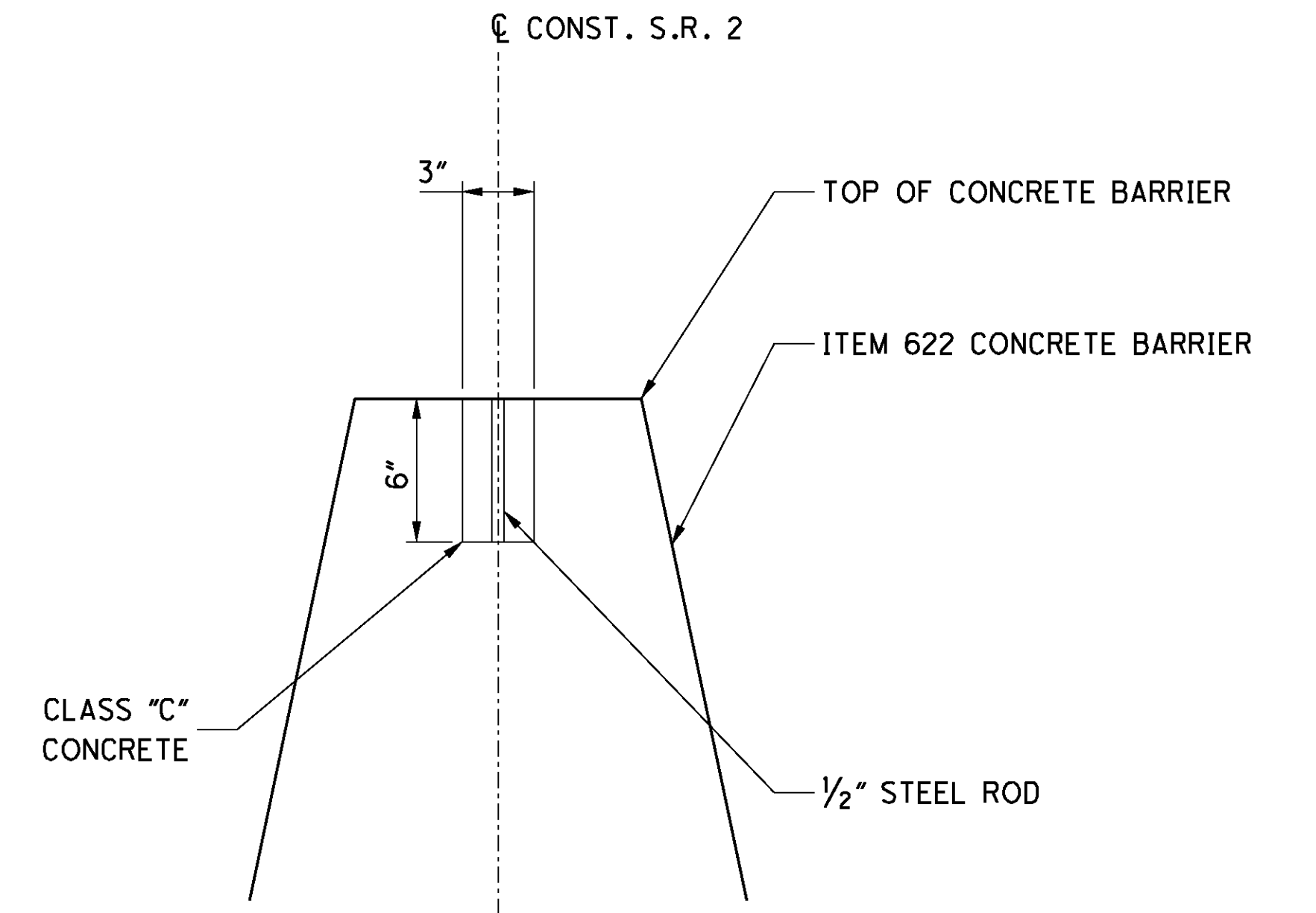


C:\Project\ok\13486\row\sheet\13486GG107.dgn 7/17/2008 1:53:17 PM djozity

SHEET NUMBER											PARTICIPATION		ITEM	ITEM EXT.	GRAND TOTAL	UNIT	DESCRIPTION	SEE SHEET NO.
1620	1621	1622	1623	1625	1627	1628					I REHAB	II TRAC						
RIGHT-OF-WAY																		
1		3		4							8		202	60010	8	EACH	MONUMENT ASSEMBLY REMOVED	
16	3	18	4	16	7	3					17	50	604	38500	67	EACH	MONUMENT ASSEMBLY	
	7		5			5					5	12	604	39500	17	EACH	MONUMENT BOX ADJUSTED TO GRADE	



COST OF FURNISHING AND PLACING STEEL ROD AND CLASS "C" CONCRETE TO BE INCLUDED IN BID ITEM 604, MONUMENT ASSEMBLY, AS PER PLAN

**ITEM 604 - MONUMENT ASSEMBLY**

CALCULATED  
JMM  
CHECKED  
CAH

GENERAL SUMMARY - RIGHT-OF-WAY