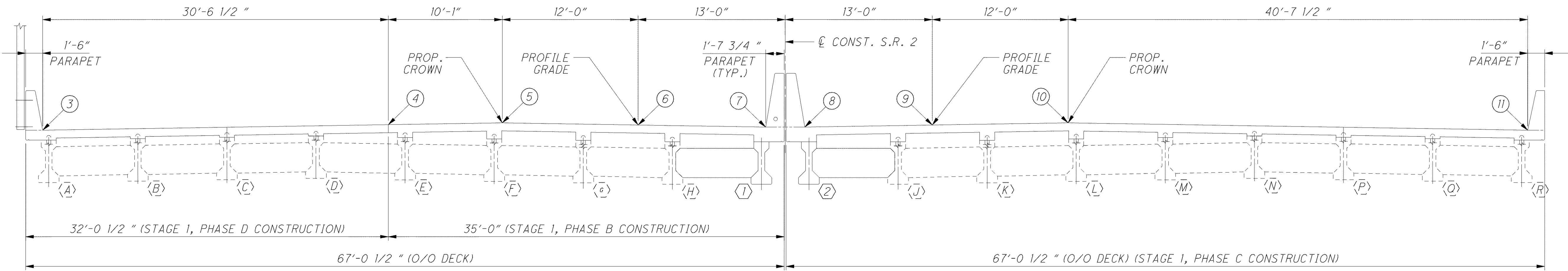


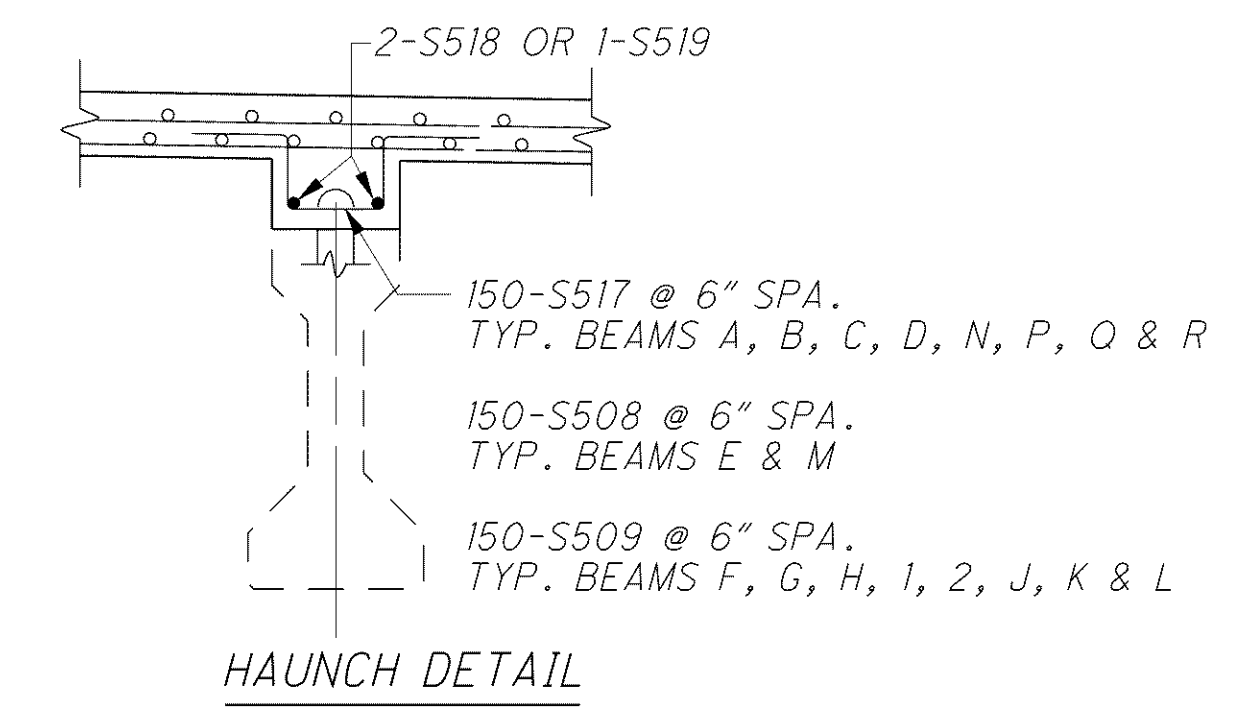
C:\Project\CV000048A001\Drawing\LAK\13486\bridge\LAK002\_0760\sheets\002\_0760CDP003.dgn 6/26/2008 9:59:27 AM troxberry



KEY

NOTES

1. SCREED ELEVATIONS SHOWN ARE FOR THE DECK SLAB SURFACE PRIOR TO CONCRETE PLACEMENT. ALLOWANCE HAS BEEN MADE FOR ANTICIPATED CALCULATED DEAD LOAD DEFLECTIONS.
2. FOR LIST OF ABBREVIATIONS SEE SHEET 4/25.
3. HAUNCH REINFORCEMENT SHALL BE SPACED WITH TRANSVERSE REINFORCEMENT IN DECK.
4. FOR NOISE WALL DETAILS, SEE SHEET 976B OF 1679.

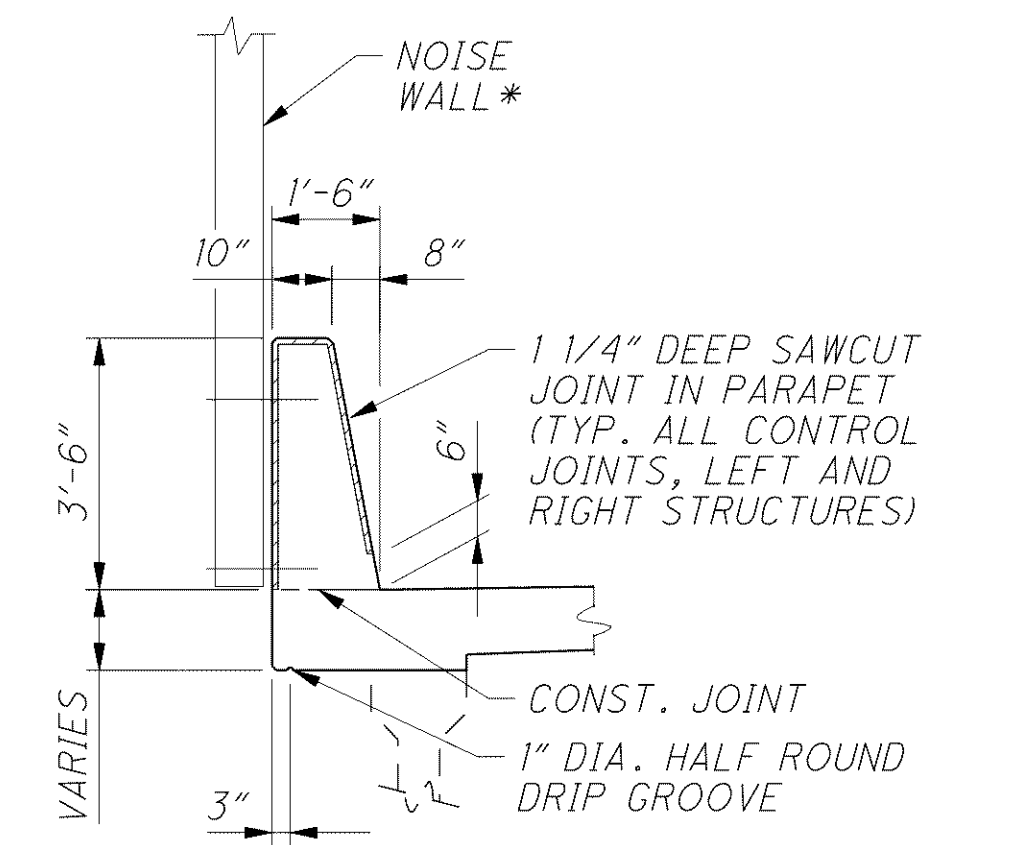


SCREED ELEVATION TABLE									
DESCRIPTION	POINTS								
	3	4	5	6	7	8	9	10	11
CL BRG. R/A	641.09	641.58	641.74	641.55	641.37	641.37	641.55	641.74	641.09
1/4 PT.	641.26	641.78	641.94	641.75	641.50	641.50	641.75	641.94	641.26
1/2 PT.	641.33	641.87	642.03	641.83	641.55	641.55	641.83	642.03	641.33
3/4 PT.	641.25	641.77	641.93	641.74	641.48	641.48	641.74	641.93	641.25
CL BRG. F/A	641.06	641.55	641.71	641.52	641.34	641.34	641.52	641.71	641.06

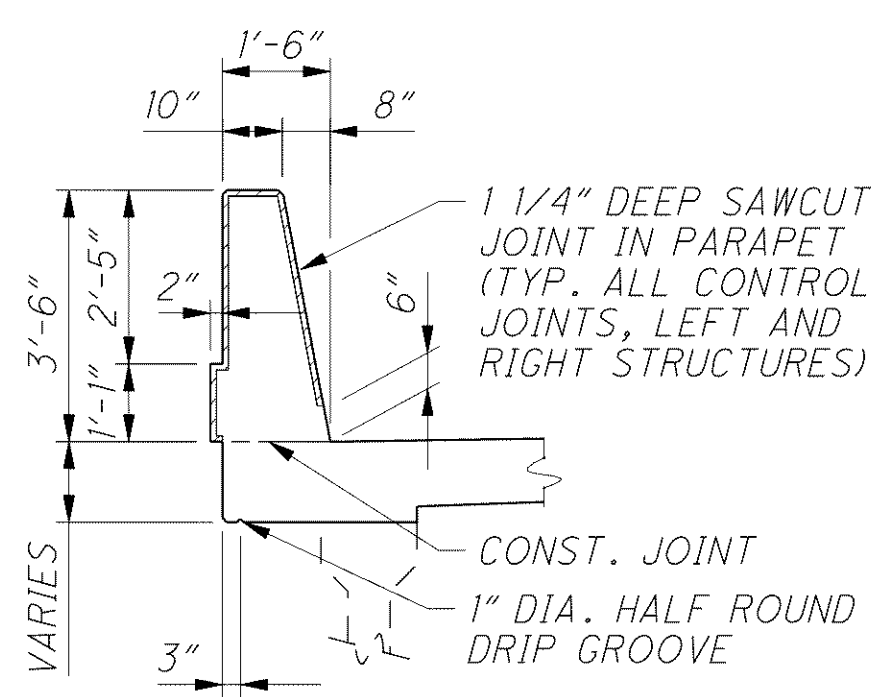
SCREED ELEVATION TABLE																		
DESCRIPTION	BEAMS																	
	A	B	C	D	E	F	G	H	I	2	J	K	L	M	N	P	Q	R
CL BRG. R/A	641.10	641.22	641.35	641.47	641.60	641.73	641.62	641.50	641.37	641.37	641.49	641.62	641.73	641.60	641.48	641.35	641.23	641.10
1/4 PT.	641.19	641.34	641.46	641.59	641.71	641.84	641.74	641.61	641.56	641.56	641.61	641.73	641.84	641.72	641.59	641.47	641.34	641.20
1/2 PT.	641.22	641.37	641.49	641.62	641.75	641.87	641.77	641.64	641.62	641.62	641.64	641.77	641.88	641.75	641.62	641.50	641.37	641.22
3/4 PT.	641.18	641.32	641.45	641.57	641.70	641.83	641.72	641.60	641.55	641.54	641.59	641.72	641.83	641.70	641.58	641.45	641.33	641.18
CL BRG. F/A	641.07	641.20	641.32	641.45	641.57	641.70	641.60	641.47	641.35	641.34	641.47	641.59	641.70	641.58	641.45	641.33	641.20	641.07

DECK SLAB DEPTH "D" TABLE																		
DESCRIPTION	BEAMS																	
	A	B	C	D	E	F	G	H	I	2	J	K	L	M	N	P	Q	R
CL BRG. R/A	1'-2 1/4"	1'-2 3/8"	1'-2 1/8"	1'-2"	1'-4 1/4"	1'-6 5/8"	1'-7 1/4"	1'-6 7/8"	1'-5 1/2"	1'-5 7/8"	1'-7 3/4"	1'-7 3/8"	1'-7 3/8"	1'-4 3/4"	1'-2 3/4"	1'-3 1/4"	1'-3 1/4"	1'-3 1/8"
1/4 PT.	1'-1 1/8"	1'-1 3/8"	1'-1"	1'-1"	1'-3 1/4"	1'-5 3/4"	1'-6 1/4"	1'-5 7/8"	1'-5 3/8"	1'-6 1/4"	1'-6 3/4"	1'-6 1/2"	1'-6 3/8"	1'-3 3/4"	1'-1 3/4"	1'-2 1/4"	1'-2 1/4"	1'-2"
1/2 PT.	1'-0 3/4"	1'-1"	1'-0 5/8"	1'-0 5/8"	1'-2 7/8"	1'-5 1/4"	1'-5 7/8"	1'-5 1/2"	1'-5 3/8"	1'-6 1/8"	1'-6 1/4"	1'-6 1/8"	1'-6"	1'-3 3/8"	1'-1 1/4"	1'-1 7/8"	1'-1 7/8"	1'-1 5/8"
3/4 PT.	1'-0 7/8"	1'-1 3/8"	1'-0 7/8"	1'-0 7/8"	1'-3 1/8"	1'-5 1/2"	1'-6 1/8"	1'-5 3/4"	1'-5 1/4"	1'-6"	1'-6 1/2"	1'-6 1/4"	1'-6 1/4"	1'-3 5/8"	1'-1 1/2"	1'-2"	1'-2 1/8"	1'-2"
CL BRG. F/A	1'-3 1/8"	1'-2 3/4"	1'-3 1/4"	1'-2 5/8"	1'-4 1/4"	1'-7 1/2"	1'-7 1/2"	1'-7 1/4"	1'-5 7/8"	1'-2 3/4"	1'-7 5/8"	1'-8"	1'-7 1/2"	1'-4 1/2"	1'-3 1/4"	1'-3 1/4"	1'-3 5/8"	1'-3 3/8"

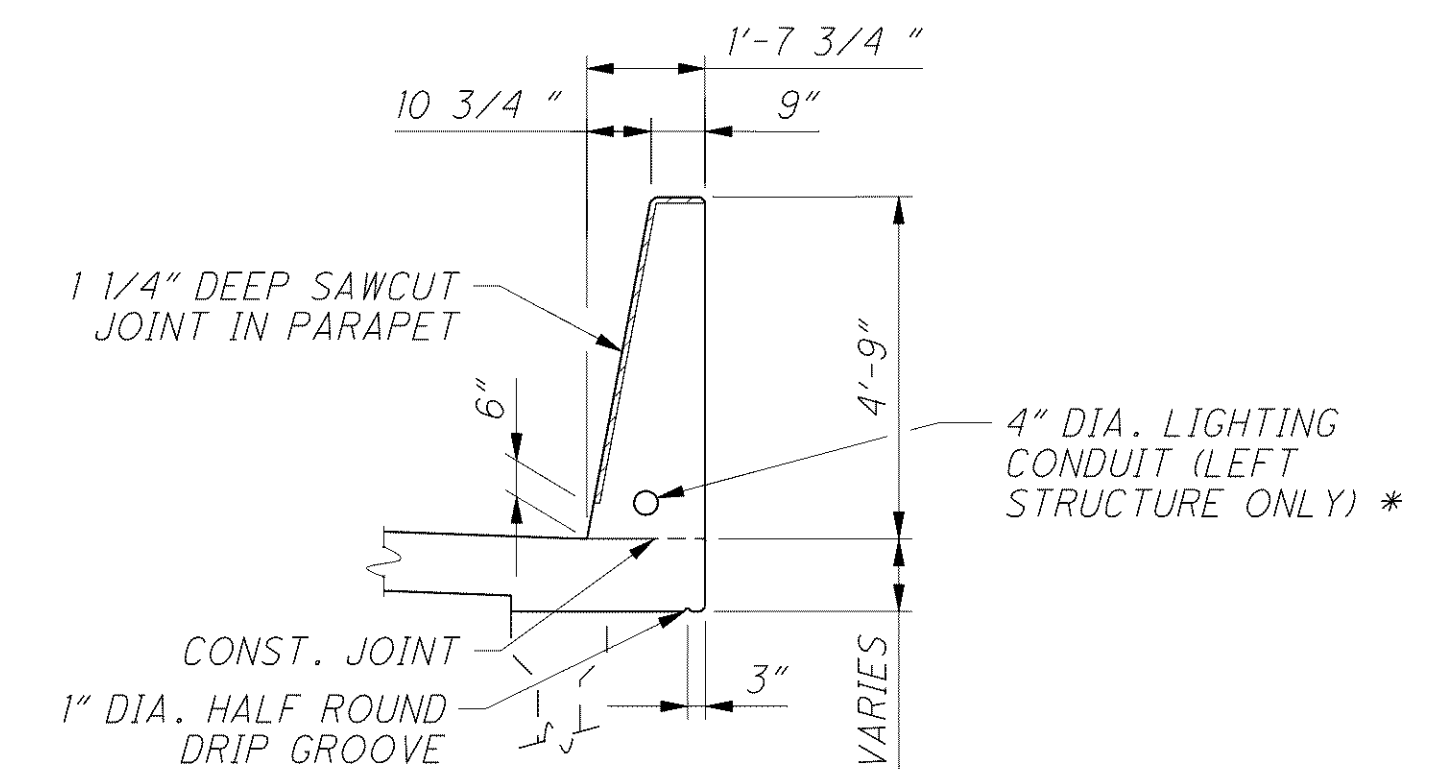
LEGEND  
\* - INCLUDE WITH ROADWAY QUANTITIES FOR PAYMENT



DEFLECTOR PARAPET DETAIL W/ NOISE WALL



DEFLECTOR PARAPET DETAIL



MEDIAN DEFLECTOR PARAPET DETAIL

DESIGN AGENCY: **ARCADIS**  
 ARCADIS U.S., Inc.  
 100 Superior Avenue, Suite 1250 Cleveland, Ohio 44114  
 Tel: 216-781-8177 Fax: 216-781-8245 www.arcadis-us.com

DATE: 12/07  
 STRUCTURE FILE NUMBER: 43000920(R)  
 REVISION: CMD/FJG

DRAWN: TMR  
 CHECKED: RBB

DESIGNED: SKS

**SUPERSTRUCTURE DETAILS**  
 BRIDGE NO. LAK-2-0760 L&R  
 STATE ROUTE 2 OVER NEWELL CREEK

**LAK-2-3.32**  
**PID 13486**

19/25  
 1612  
 1679