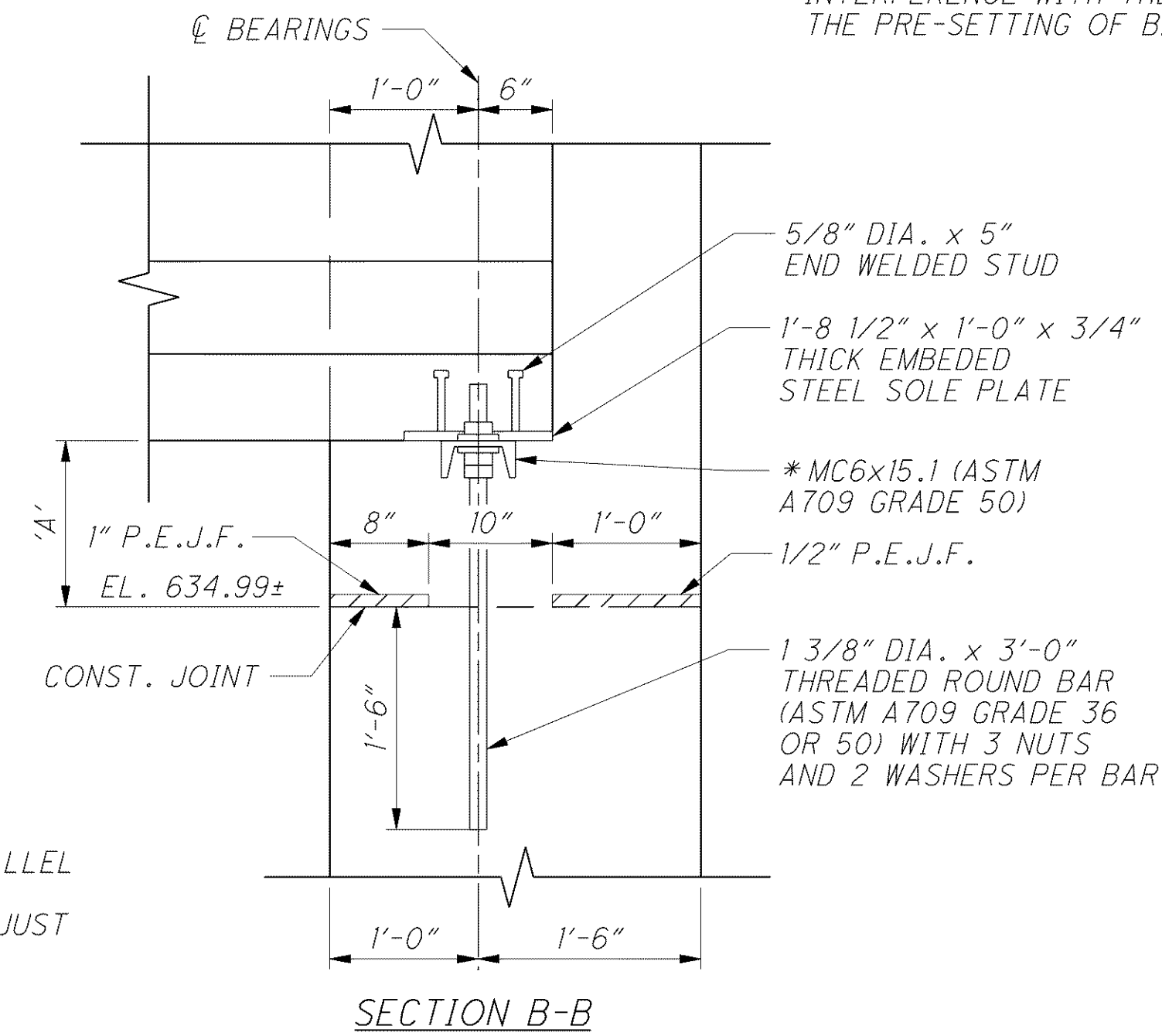
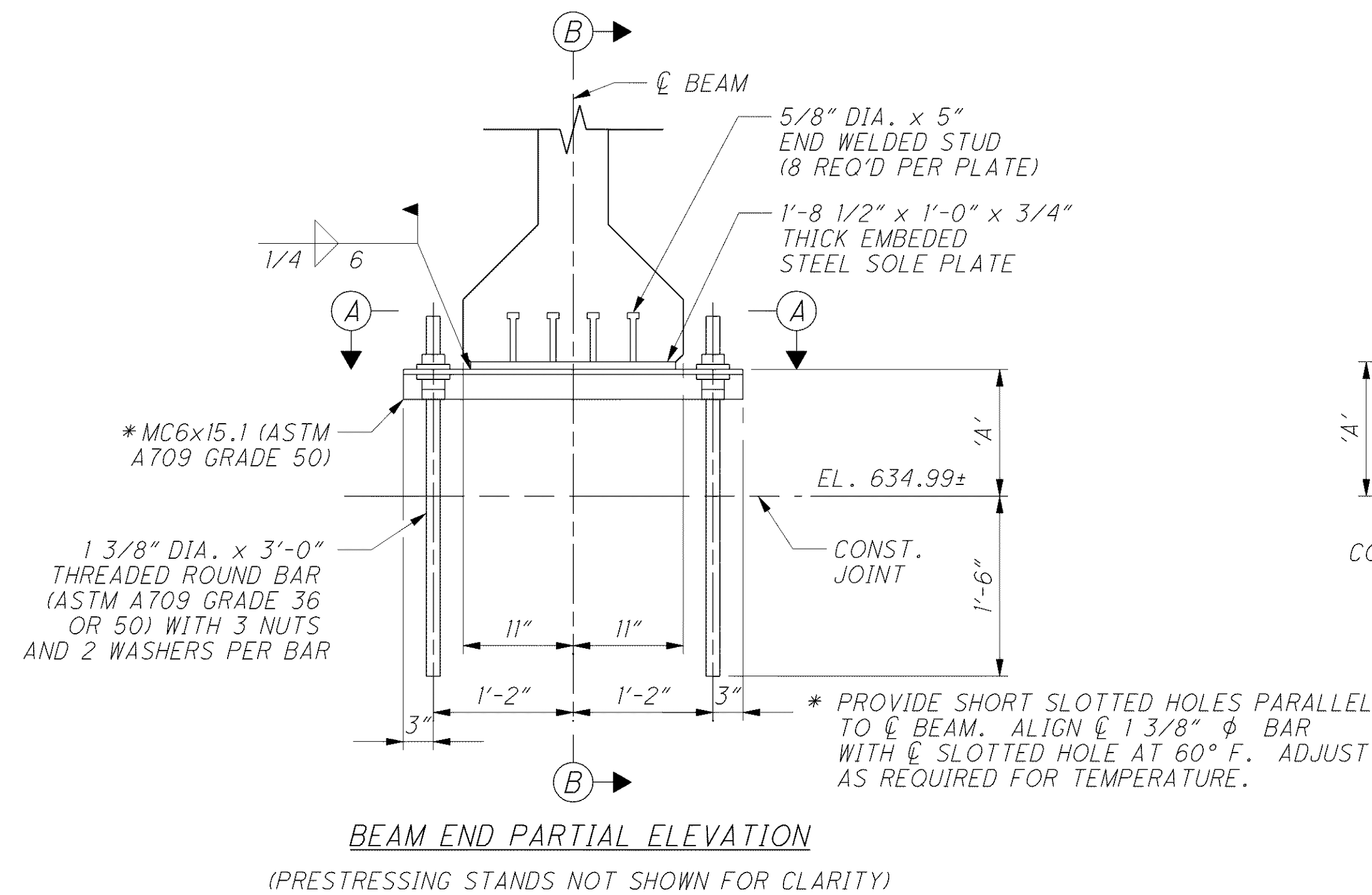
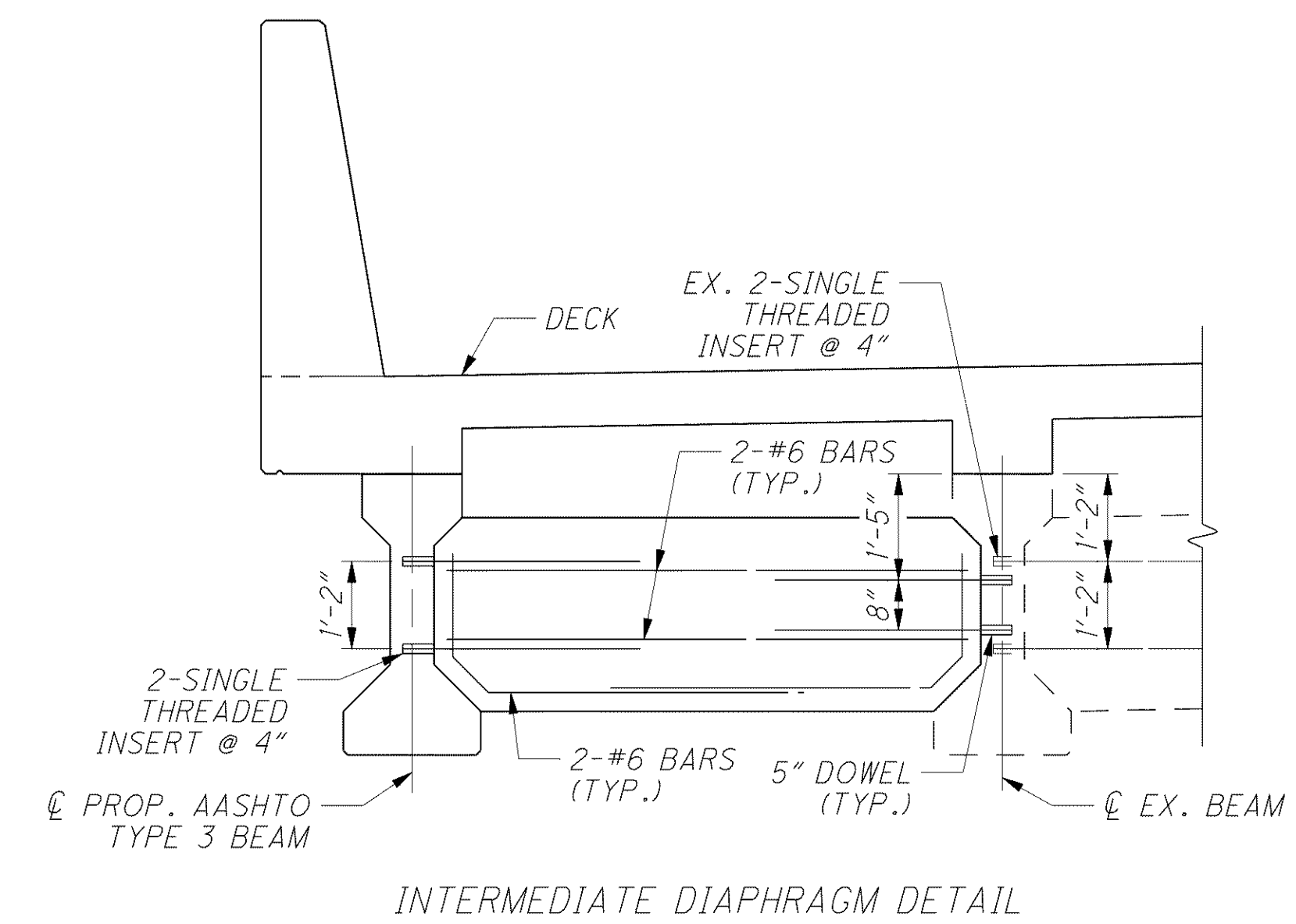
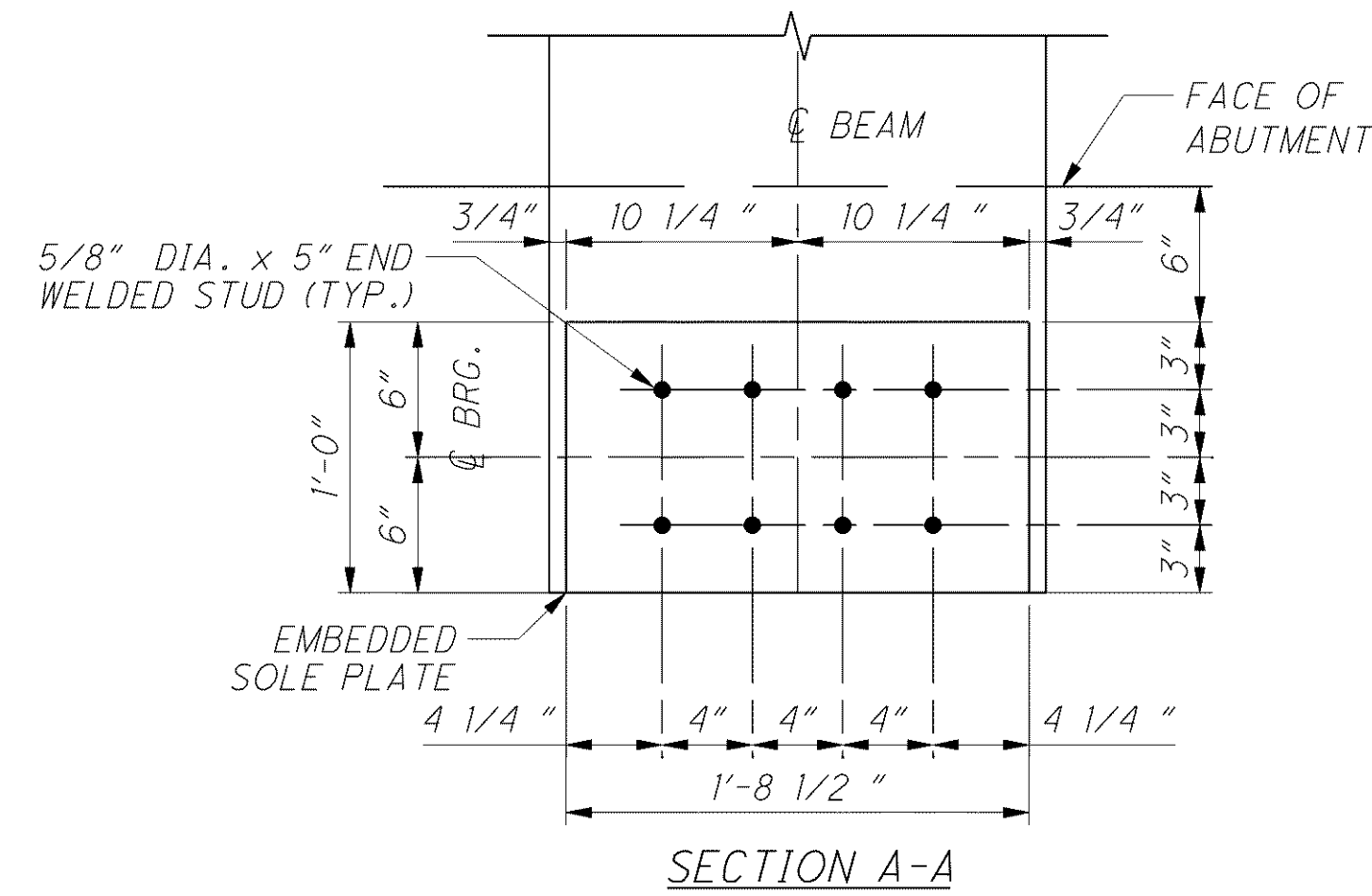


C:\Project\CV000048A001\Drawing\LAK\13486\bridge\LAK002_0760L\sheets\002_0760CFP003.dgn 6/26/2008 9:56:46 AM troxberry



DIMENSION 'A'		
LOCATION	REAR ABUTMENT	FORWARD ABUTMENT
LEFT STRUCTURE	1'-0 1/2"	10 7/8"
RIGHT STRUCTURE	11 1/8"	11 1/4"



(REINFORCING SHOWN FOR INFORMATION ONLY. SEE STANDARD DRAWING PSID-1-99)

NOTES

1. FOR ADDITIONAL PRESTRESSED CONCRETE I-BEAM BRIDGE DETAILS NOT SHOWN, SEE STANDARD DRAWING PSID-1-99.
2. FOR ABUTMENT DIAPHRAGM DETAILS AND NOTES, SEE SHEETS 11/25 THROUGH 13/25.
3. FOR FRAMING PLAN, LOCATION OF INTERMEDIATE DIAPHRAGMS AND ADDITIONAL DETAILS AND NOTES SEE SHEET 14/25 AND 15/25.
4. FOR LIST OF ABBREVIATIONS SEE SHEET 4/25.
5. BRIDGE SEAT REINFORCING, SETTING ANCHORS: ACCURATELY PLACE REINFORCING STEEL IN THE VICINITY OF THE BRIDGE SEAT TO AVOID INTERFERENCE WITH THE DRILLING OF BEARING ANCHOR HOLES OR THE PRE-SETTING OF BEARING ANCHORS.

SUPERSTRUCTURE DETAILS
 BRIDGE NO. LAK-2-0760 L&R
 STATE ROUTE 2 OVER NEWELL CREEK

LAK-2-3.32
PID 13486

16 / 25

1609
1679

DESIGN AGENCY
ARCADIS
 ARCADIS U.S., Inc.
 100 Superior Avenue, Suite 1250 Cleveland, Ohio 44114
 Tel: 216-781-6177 Fax: 216-781-6243 www.arcadis-us.com

DATE 12/07
 REVIEWED CMD/FJG
 DRAWN TMR
 DESIGNED SKS
 CHECKED RBB
 STRUCTURE FILE NUMBER 43000920(R)