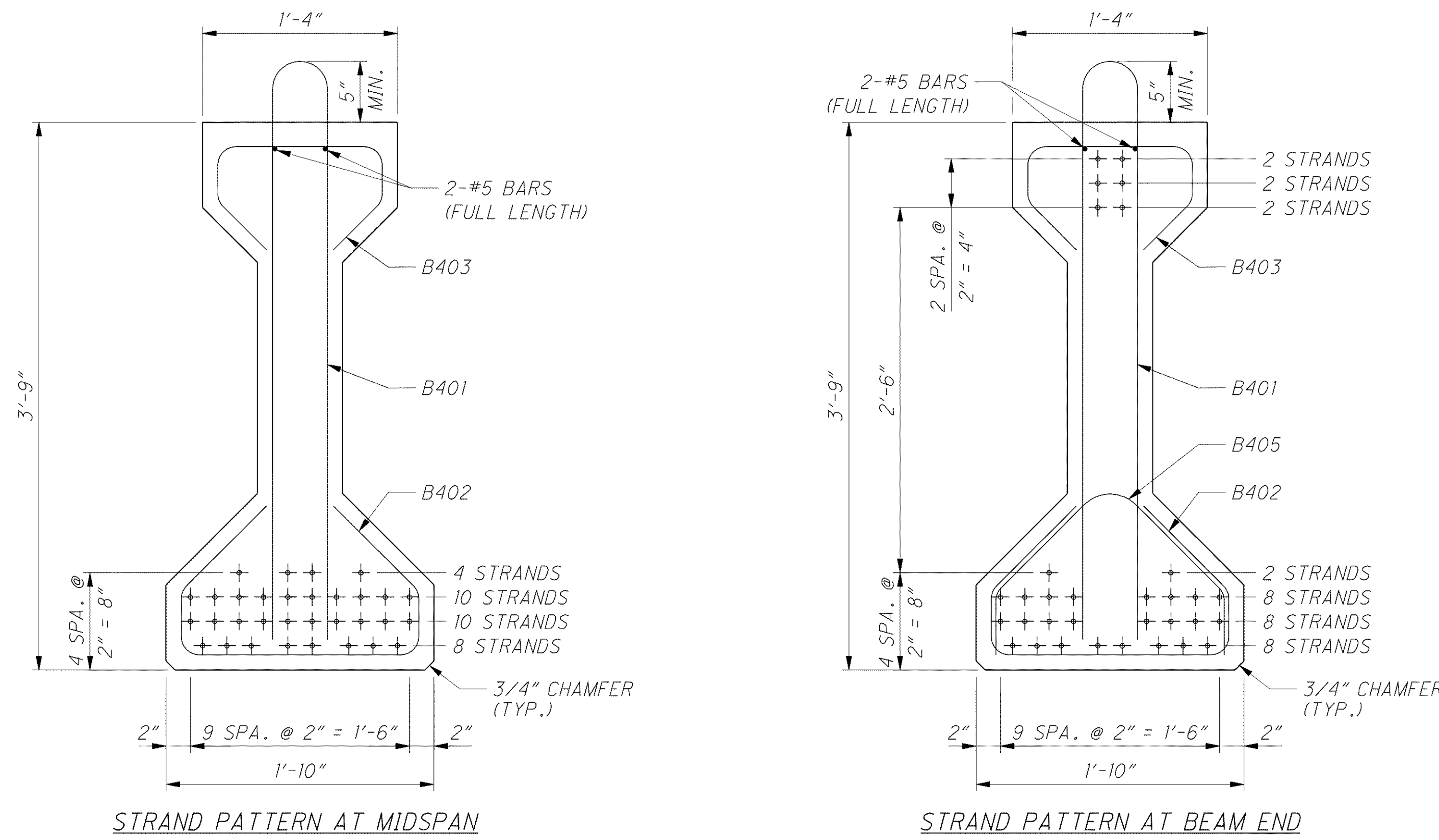


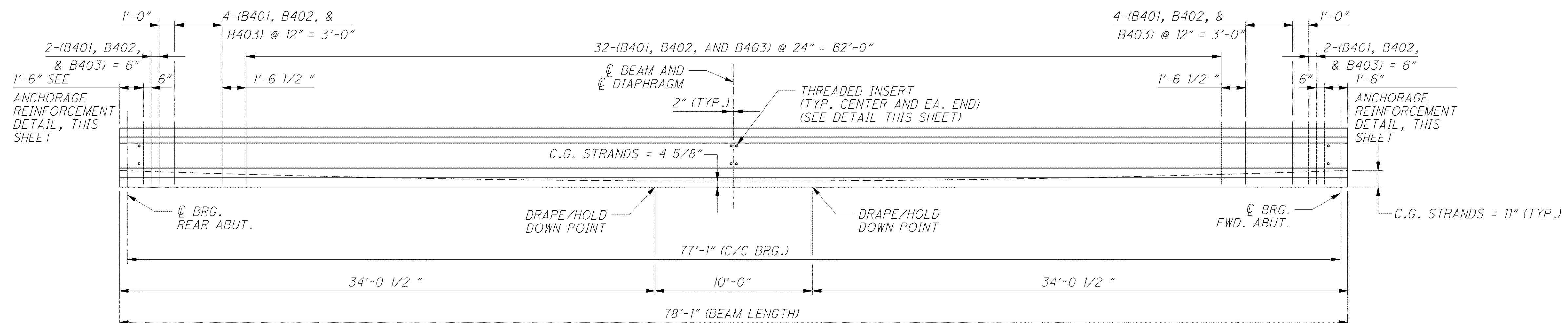
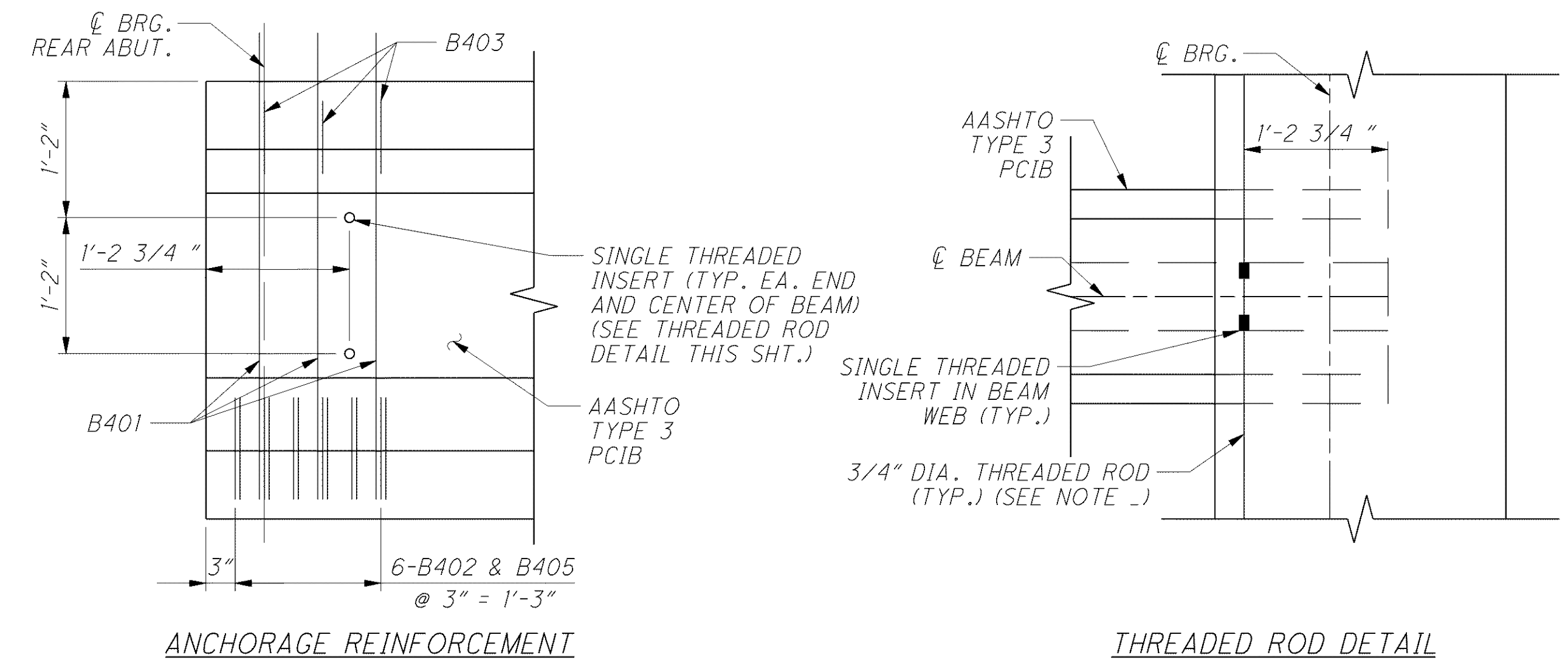
NOTES

1. PRESTRESSING STRANDS: 1/2" DIAMETER, ASTM GRADE 270K, SEVEN WIRE, ASTM A416, UNCOATED LOW-RELAXATION STRANDS. AREA = 0.153 SQ. IN. EACH. INITIAL TENSION = 30,983 LBS./STRAND.
2. FOR LIST OF ABBREVIATIONS SEE SHEET 4/25.
3. FOR FRAMING PLAN, LOCATION OF INTERMEDIATE DIAPHRAGMS AND ADDITIONAL DETAILS AND NOTES SEE SHEET 14/25 AND 16/25.
4. FOR 3/4" DIA. THREADED ROD DETAILS AND NOTES REFER TO STANDARD DRAWING PSID-1-99.



AASHTO TYPE 3 PRESTRESSED CONCRETE I-BEAM

BEAM NO.	TOTAL PRESTRESSING STRANDS PER BEAM	CONCRETE STRENGTHS		REINFORCING BARS REQUIRED			
		f'ci	f'c	B401	B402	B403	B405
1, 2	32	5,000	7,000	50	56	50	12



BEAM ELEVATION

NOTE: PRESTRESSING STRANDS AND LONGITUDINAL REINFORCING BARS NOT SHOWN.

C:\Project\CV000048A001\Drawing\LAK\13486\bridge\LAK002_0760L\sheets\002_0760CFP002.dgn 6/26/2008 9:55:38 AM troxberry