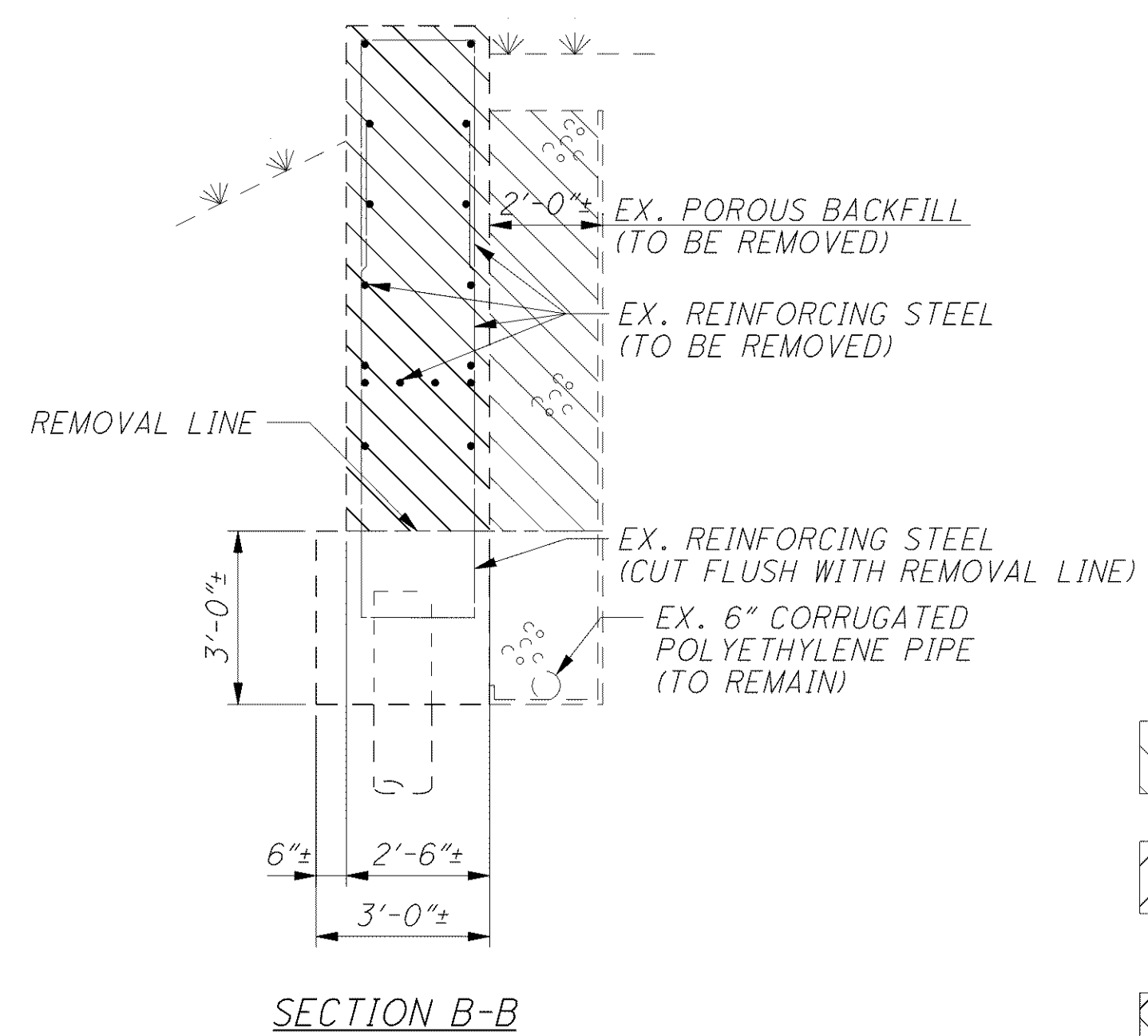
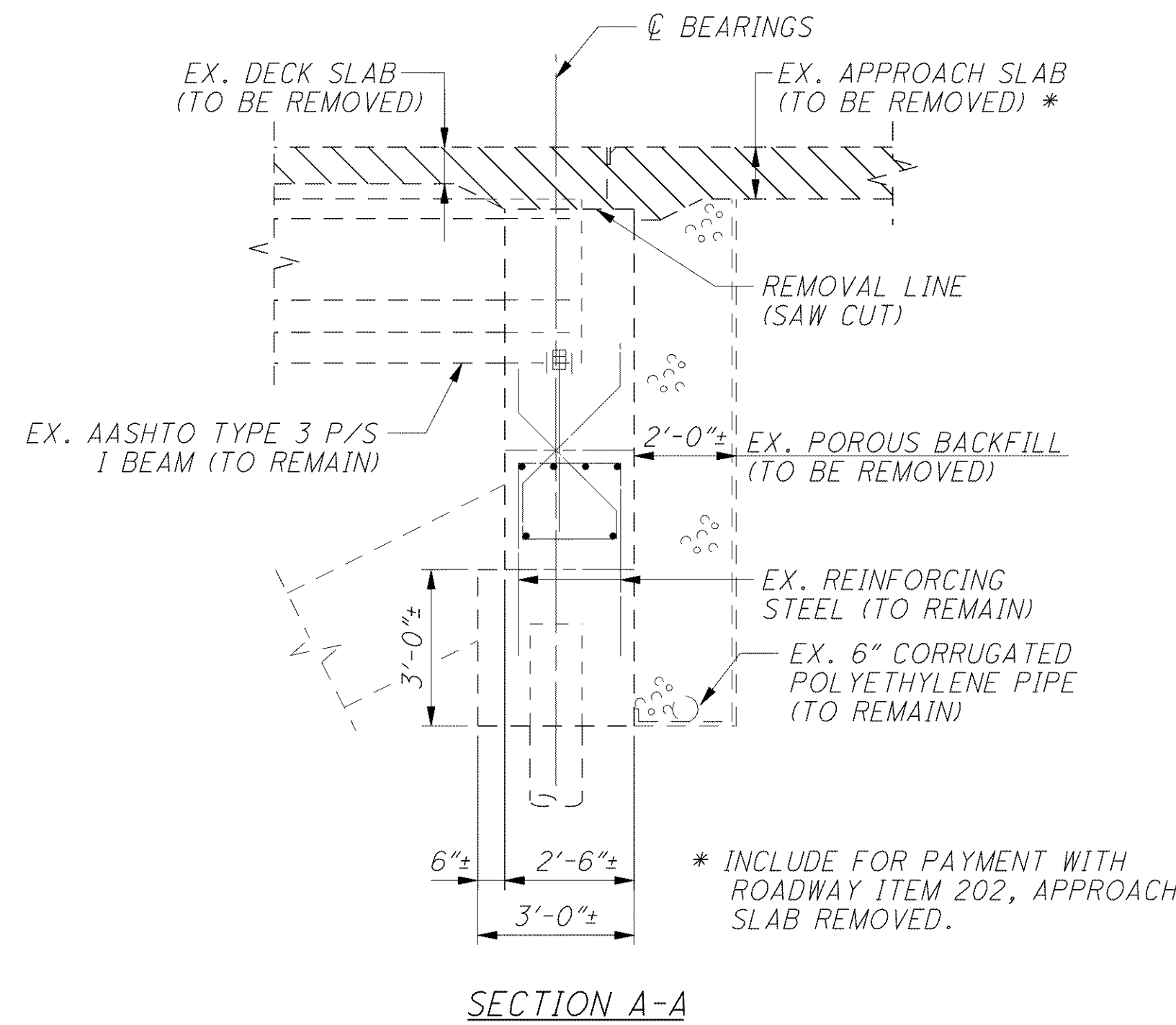
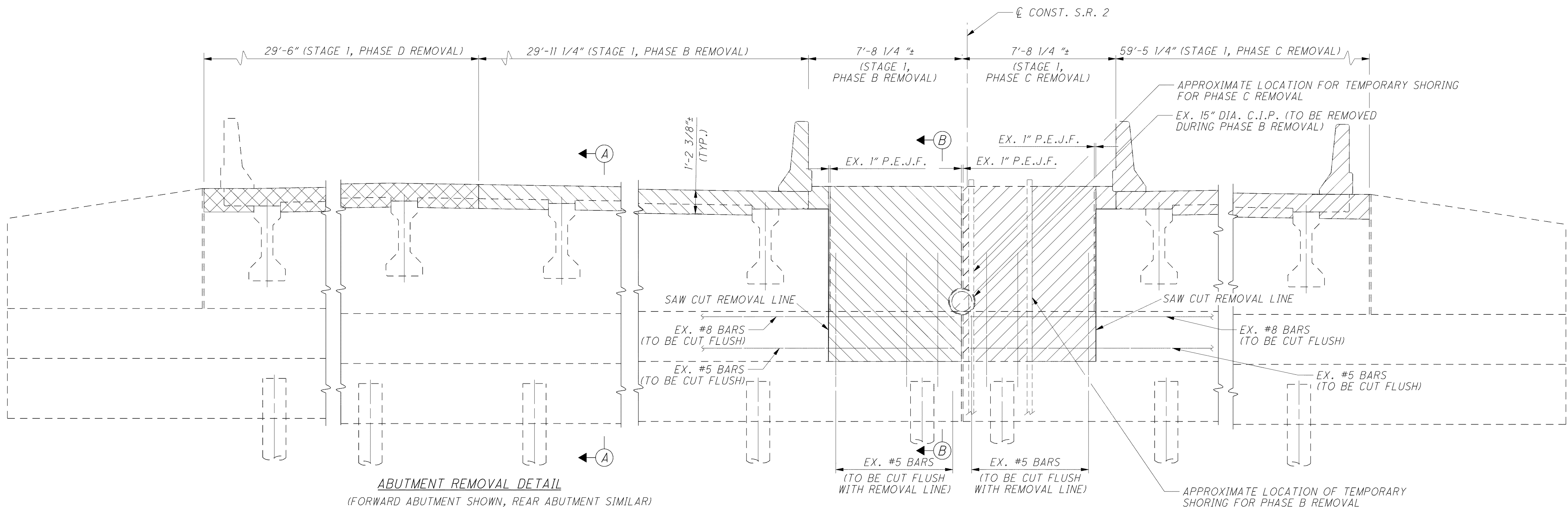


g:\project\c000048a001\drawing\lak\13486\bridge\lak002_07601\sheets\002_0760CRE002.dgn 6/23/2008 5:29:21 PM troxberry



- LEGEND**
- PORTIONS OF EXISTING STRUCTURE TO BE REMOVED (STAGE 1, PHASE B)
 - PORTIONS OF EXISTING STRUCTURE TO BE REMOVED (STAGE 1, PHASE C)
 - PORTIONS OF EXISTING STRUCTURE TO BE REMOVED (STAGE 1, PHASE D)

NOTES
 1. FOR LIST OF ABBREVIATIONS SEE SHEET 4/25.



ABUTMENT REMOVAL DETAIL
 (FORWARD ABUTMENT SHOWN, REAR ABUTMENT SIMILAR)

DESIGN AGENCY
ARCADIS
 ARCADIS U.S., Inc.
 100 Superior Avenue, Suite 1250 Cleveland, Ohio 44114
 Tel: 216-781-6177 Fax: 216-781-6243 www.arcadis-us.com

DESIGNED	SKS	CHECKED	RBB
DRAWN	TMR	REVISED	
REVIEWED	CMD/FJG	STRUCTURE FILE NUMBER	43000920(R)
DATE	12/07		

REMOVAL DETAILS
 BRIDGE NO. LAK-2-0760 L&R
 STATE ROUTE 2 OVER NEWELL CREEK

LAK-2-3.32
PID 13486

10 / 25

1603
1679