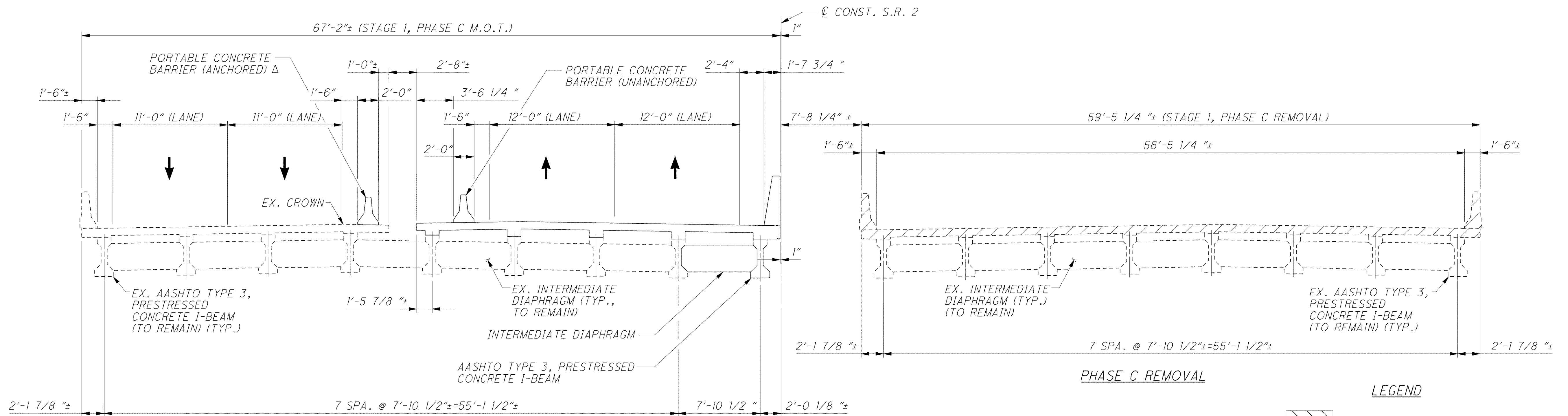


NOTES

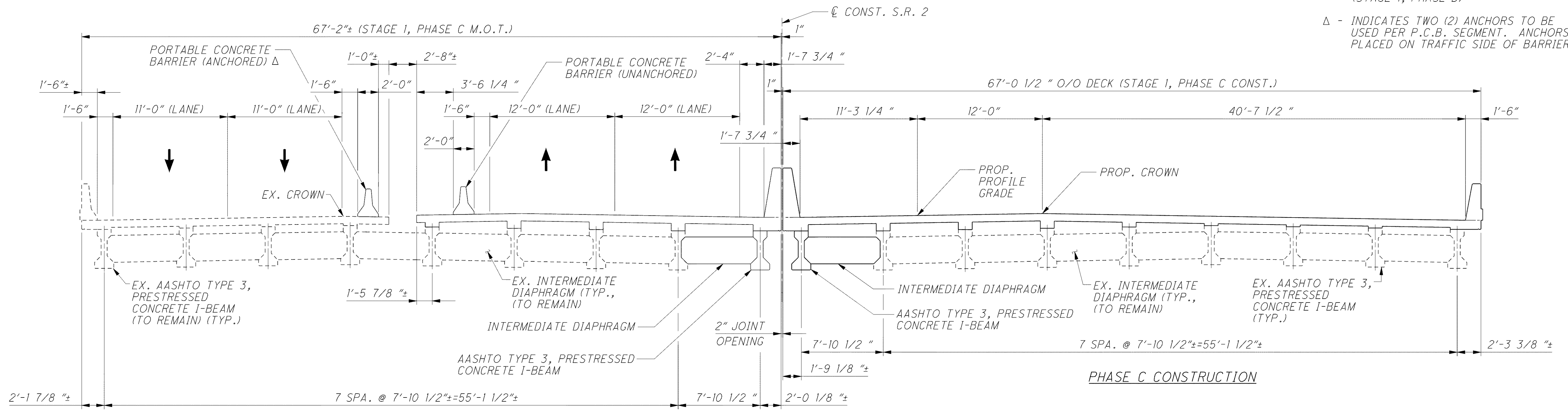
1. FOR LIST OF ABBREVIATIONS SEE SHEET 4/25.



PHASE C MAINTENANCE OF TRAFFIC

STAGE I CONSTRUCTION

- LEGEND**
- PORTIONS OF EXISTING STRUCTURE TO BE REMOVED (STAGE 1, PHASE B)
 - PORTIONS OF EXISTING STRUCTURE TO BE REMOVED (STAGE 1, PHASE C)
 - PORTIONS OF EXISTING STRUCTURE TO BE REMOVED (STAGE 1, PHASE D)
 - Δ - INDICATES TWO (2) ANCHORS TO BE USED PER P.C.B. SEGMENT. ANCHORS PLACED ON TRAFFIC SIDE OF BARRIER



PHASE C MAINTENANCE OF TRAFFIC

STAGE I CONSTRUCTION

PHASE CONSTRUCTION DETAILS

BRIDGE NO. LAK-2-0760 L&R
STATE ROUTE 2 OVER NEWELL CREEK

DESIGNED BY SKS	CHECKED BY RBB	DRAWN BY TMR	REVIEWED BY CMD/FJG
DATE 12/07		STRUCTURE FILE NUMBER 4300092(L) 43000920(R)	

DESIGN AGENCY: **ARCADIS**
 ARCADIS U.S., Inc.
 100 Superior Avenue, Suite 1250 Cleveland, Ohio 44114
 Tel: 216-781-6177 Fax: 216-781-6245 www.arcadis-us.com

LAK-2-3.32
 PID 13486
 7/25
 1600
 1679

o:\project\c\000048a001\drawing\lak\13486\bridge\lak002_0760\sheets\002_0760PC002.dgn 6/23/2008 5:28:46 PM troxberry