

NOTES

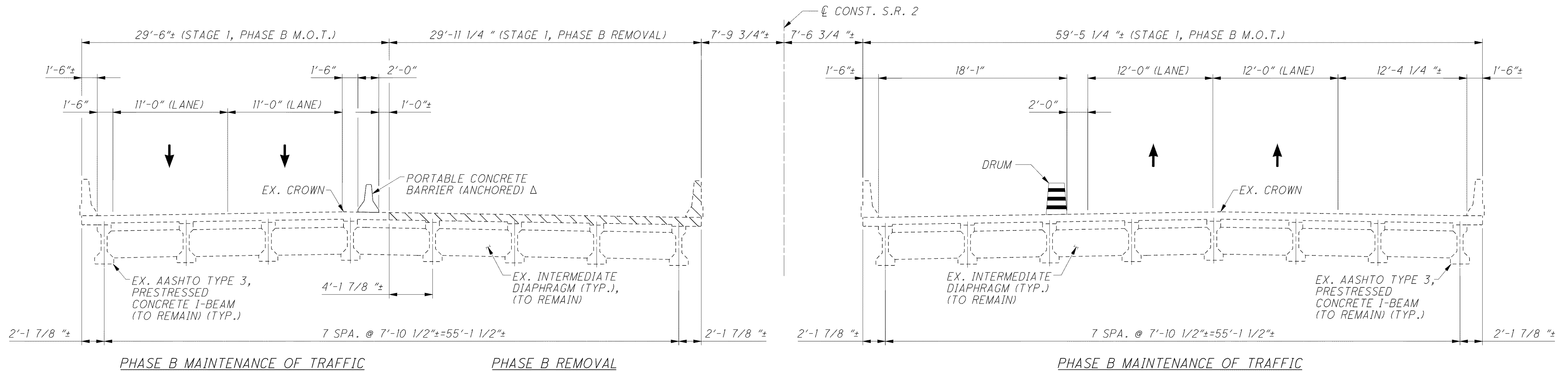
1. FOR LIST OF ABBREVIATIONS SEE SHEET 4/25.

DESIGN AGENCY  
**ARCADIS**  
 ARCADIS U.S., INC.  
 100 Superior Avenue, Suite 1250 Cleveland, Ohio 44114  
 Tel: 216-781-6177 Fax: 216-781-6245 www.arcadis-us.com

|                       |                        |
|-----------------------|------------------------|
| DATE                  | 12/07                  |
| REVIEWED              | CMD/FJG                |
| STRUCTURE FILE NUMBER | 4300092(L) 43000920(R) |
| DRAWN                 | TMR                    |
| DESIGNED              | SXS                    |
| CHECKED               | RBB                    |

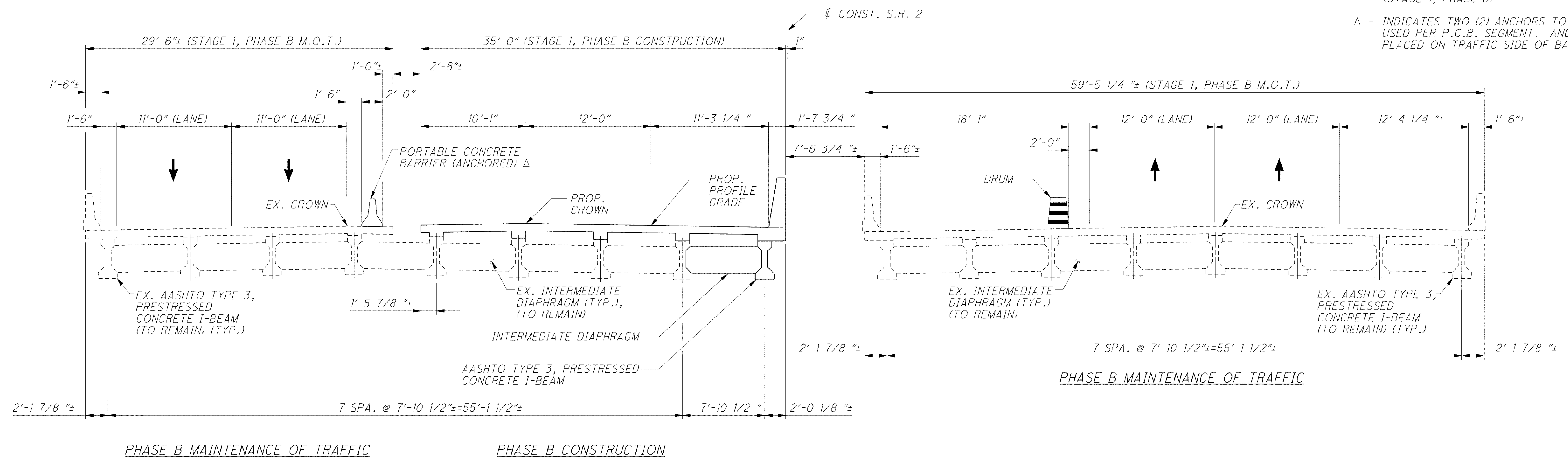
PHASE CONSTRUCTION DETAILS  
 BRIDGE NO. LAK-2-0760 L&R  
 STATE ROUTE 2 OVER NEWELL CREEK

LAK-2-3.32  
 PID 13486



LEGEND

- PORTIONS OF EXISTING STRUCTURE TO BE REMOVED (STAGE 1, PHASE B)
- PORTIONS OF EXISTING STRUCTURE TO BE REMOVED (STAGE 1, PHASE C)
- PORTIONS OF EXISTING STRUCTURE TO BE REMOVED (STAGE 1, PHASE D)
- Δ - INDICATES TWO (2) ANCHORS TO BE USED PER P.C.B. SEGMENT. ANCHORS PLACED ON TRAFFIC SIDE OF BARRIER



o:\project\c000048a001\drawing\lak\13486\bridge\lak002\_0760\sheets\002\_0760PC001.dgn 6/23/2008 5:28:34 PM troxberry