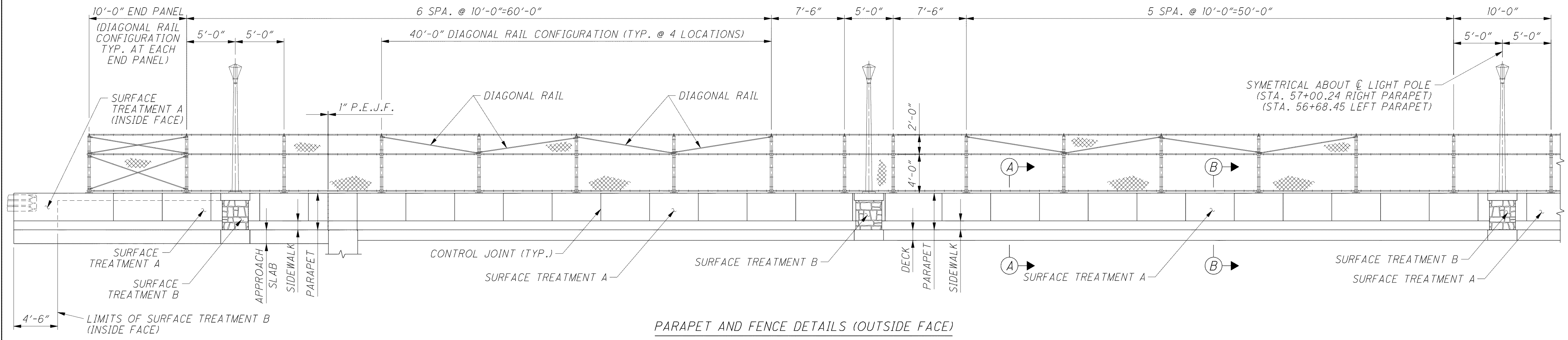
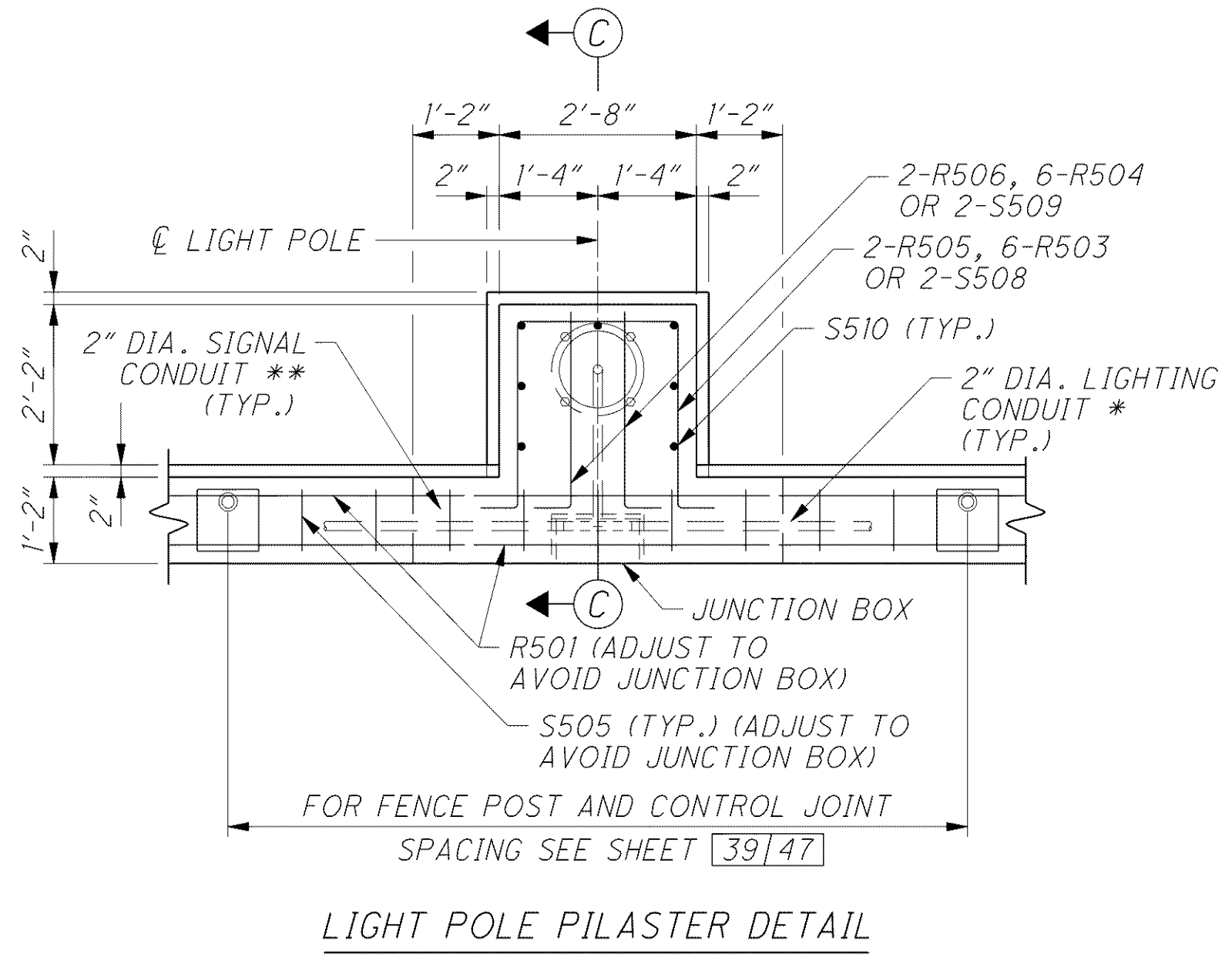
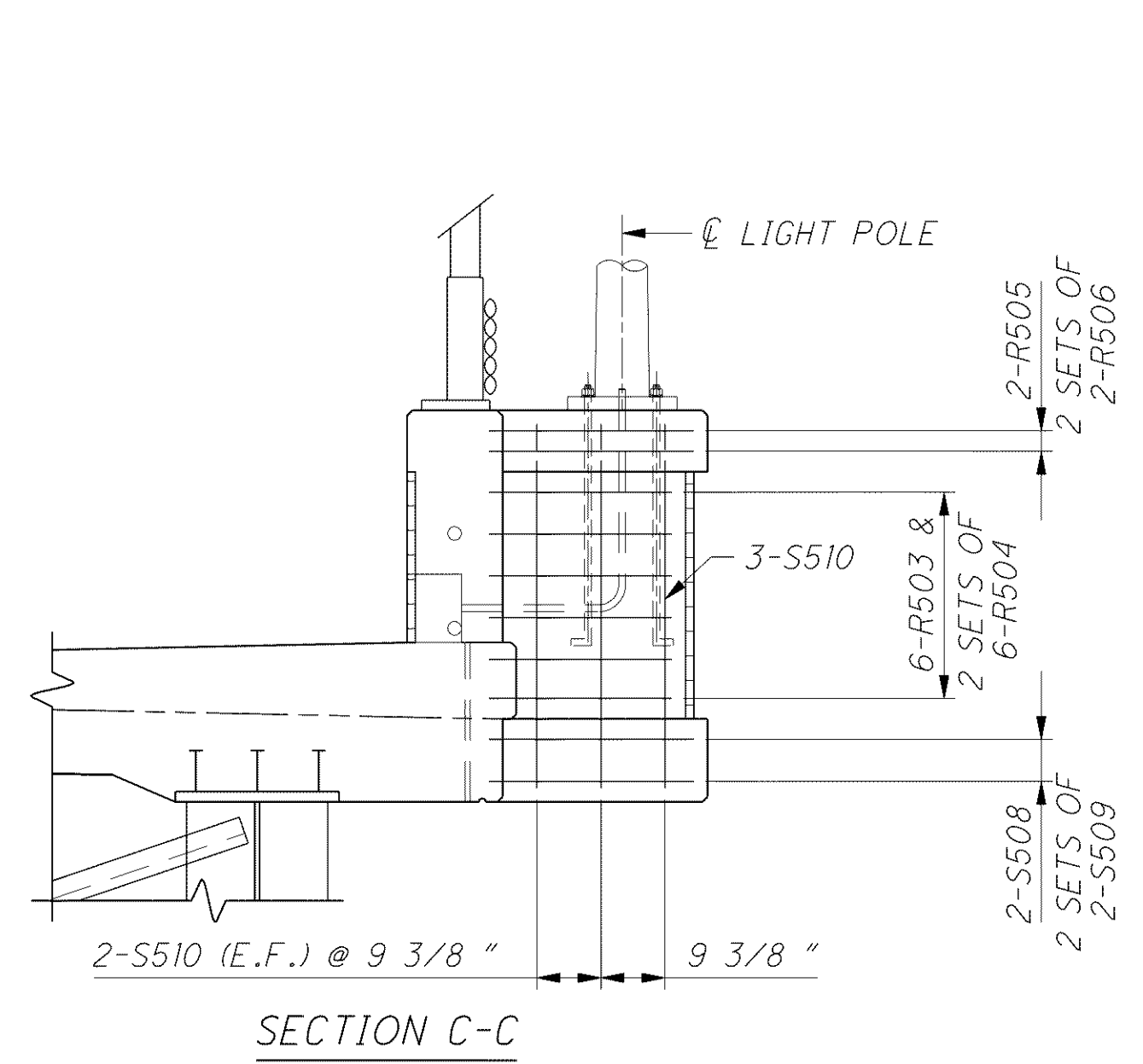


g:\project\c000048a001\drawing\lak\13486\bridge\002_0542c\sheets\002_0542cDP002.dgn 6/24/2008 4:56:32 PM troxberry



PARAPET AND FENCE DETAILS (OUTSIDE FACE)
(RIGHT PARAPET SHOWN, LEFT PARAPET OPPOSITE)



COLORS AND SURFACE TREATMENTS

A. SMOOTH SURFACES - SEAL WITH EPOXY-URETHANE SEALER, BUFF, FCN 595B-27722.

B. TEXTURED SURFACES - ASHLAR STONE FORMLINER: SEAL WITH EPOXY-URETHANE SEALER, BUFF/TAN, FCN 595B-27722

C. SEAL WITH NON-EPOXY SEALER, CLEAR.

D. STRUCTURAL STEEL: PAINT EXTERIOR AND BOTTOM SURFACES OF FASICA GIRDERS/BEAMS LIGHT BLUE, FCN 595B-15450.

- * INCLUDE WITH LIGHTING QUANTITIES FOR PAYMENT
- ** INCLUDE WITH TRAFFIC SIGNAL QUANTITIES FOR PAYMENT

- NOTES**
1. MINIMUM BAR LAPS:
#4 BARS = 23"
#6 BARS = 52"
#5 BARS = 29"
#8 BARS = 87"
 2. FOR LIGHT POLE LOCATIONS SEE SHEET [2]47.
 3. FOR TRANSVERSE SECTION INCLUDING LONGITUDINAL BAR SPACING AND SCREED ELEVATION TABLE AND ADDITIONAL NOTES SEE SHEET [38]47.
 4. FOR ADDITIONAL LIGHT POLE PILASTER NOTES AND DETAILS SEE ODOT STANDARD DRAWING HL-20-14.
 5. FOR APPROACH SLAB DETAILS SEE SHEET [41]47 THRU [43]47.
 6. FOR ADDITIONAL FENCE DETAILS AND NOTES SEE ODOT STANDARD DRAWING VPF-1-90.
 7. FOR LIGHTING PLANS SEE SHEETS 1250 AND 1251.
 8. FOR LIST OF ABBREVIATIONS, SEE SHEET [3]47.
 9. FOR APPROACH SLAB LIGHT POLE PILASTER DETAILS SEE SHEET [43]47.

