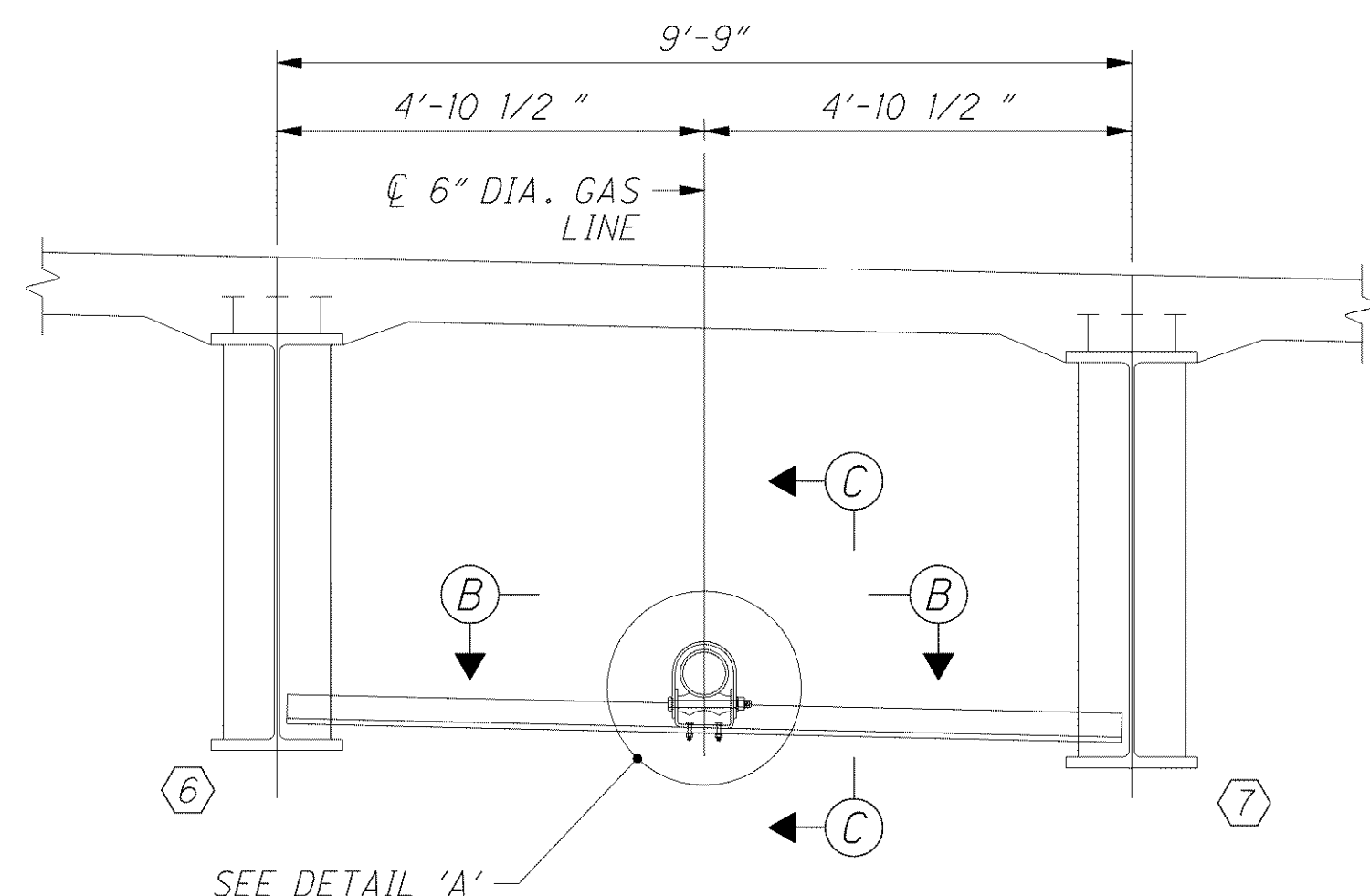
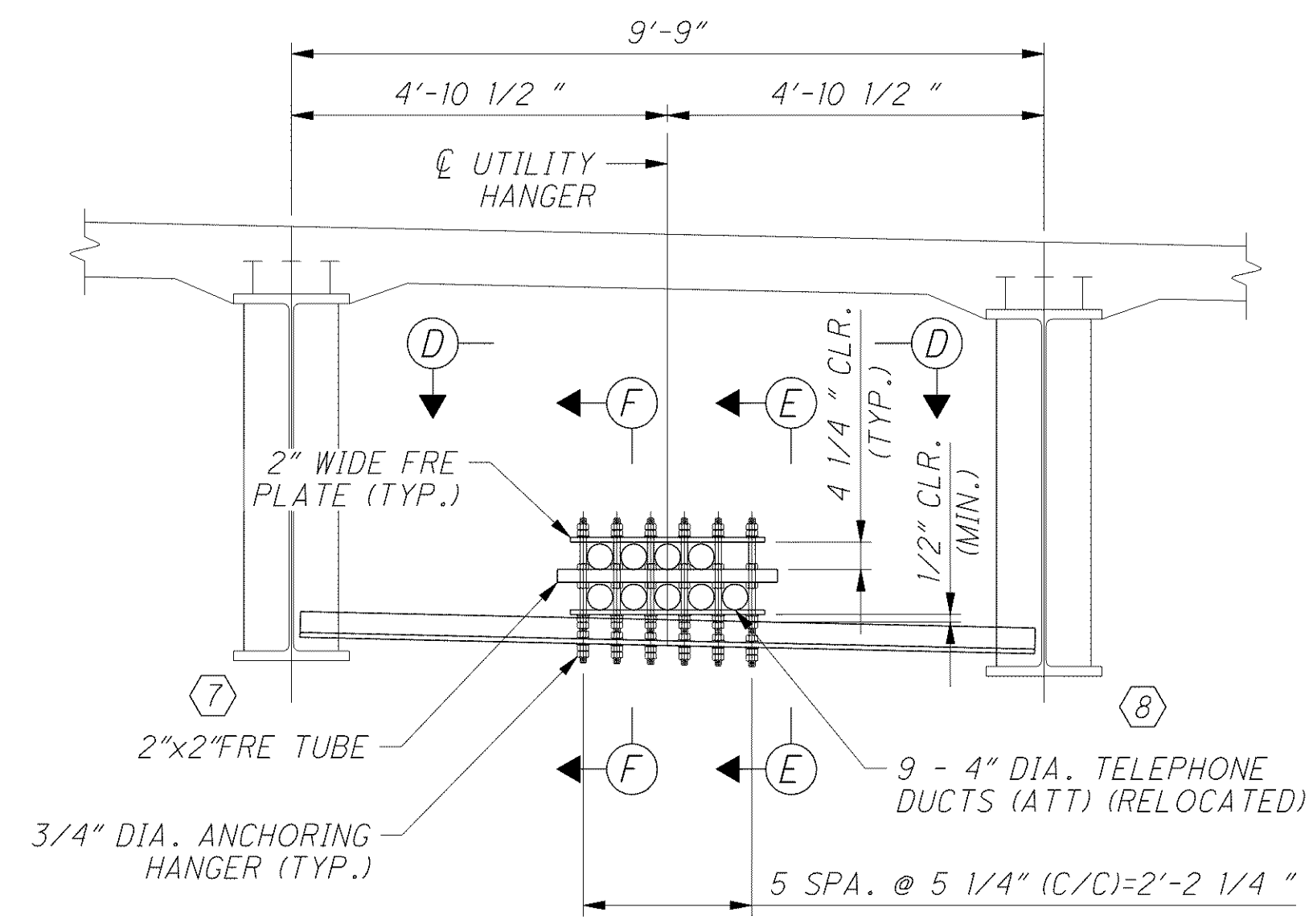


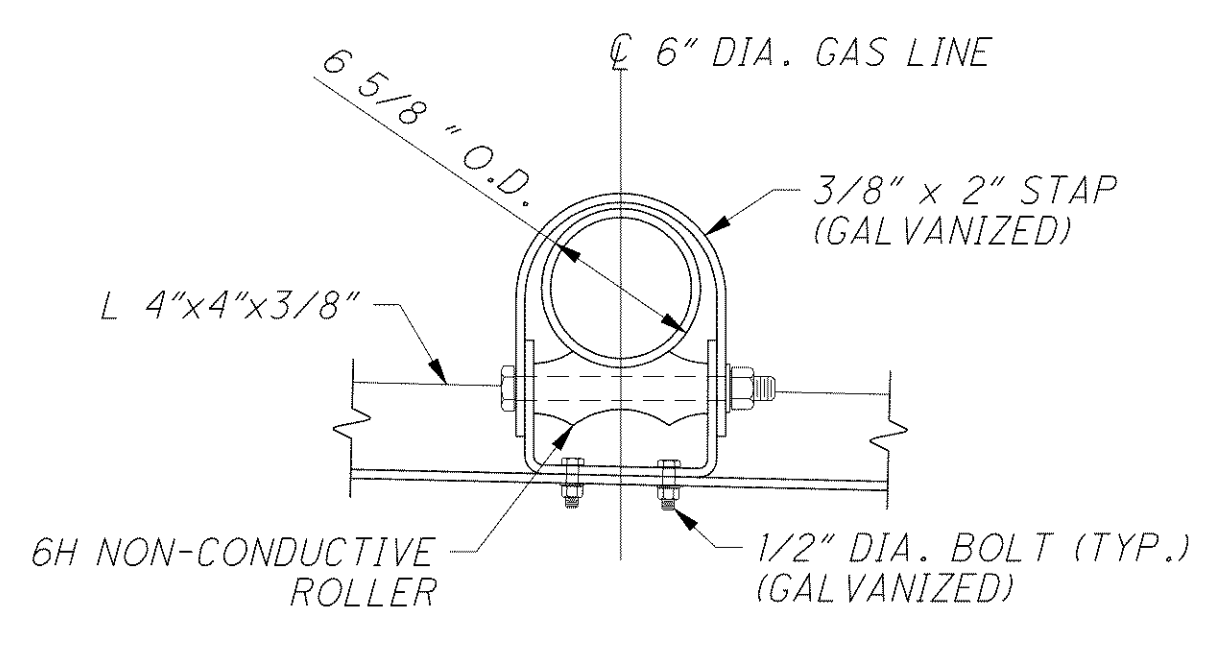
C:\Project\CV000048A001\Drawing\LAK\13486\bridge\LAK002_0542C\sheets\002_0542CSD009.dgn 6/26/2008 3:31:04 PM jrufener



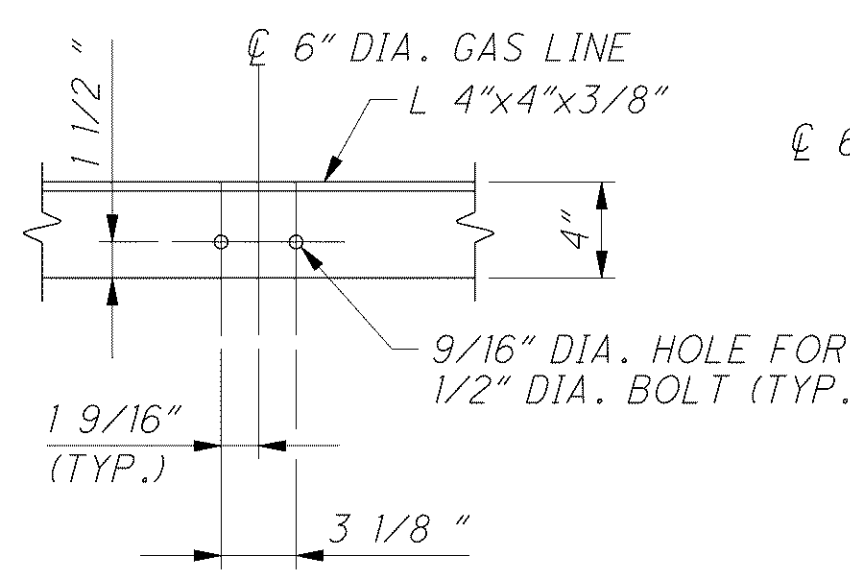
ROLLER CHAIR FOR GAS LINE DETAIL



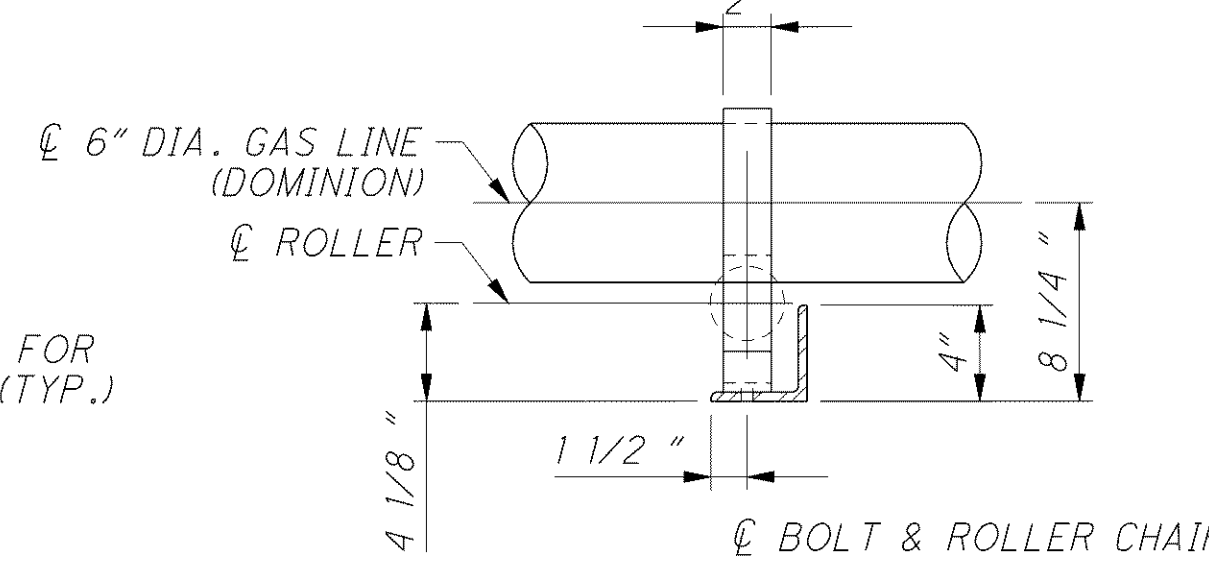
TELEPHONE UTILITY HANGER DETAIL



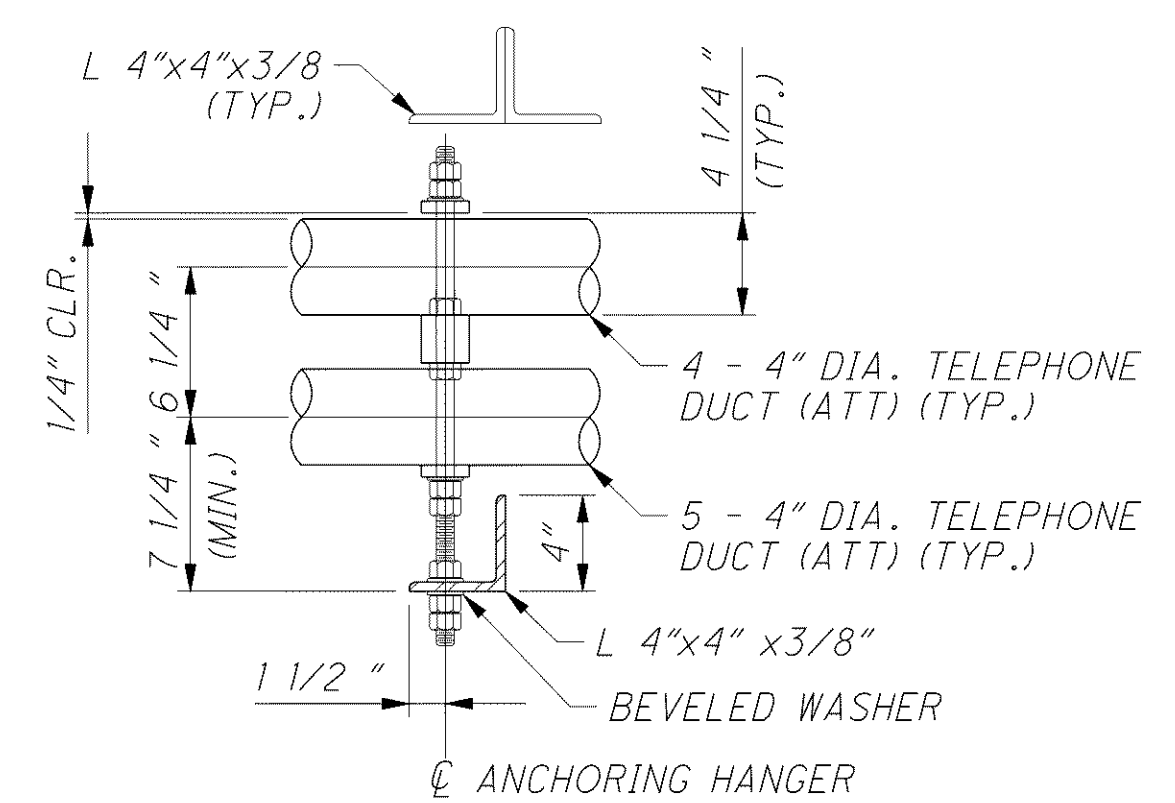
DETAIL 'A'



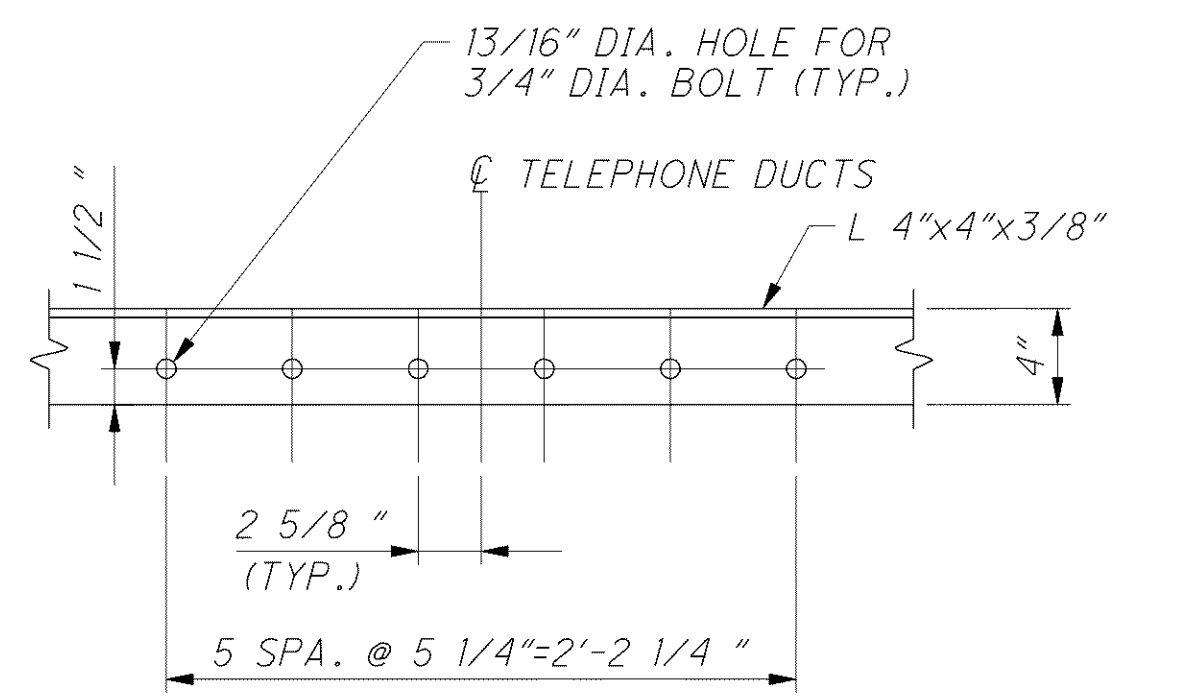
VIEW B-B



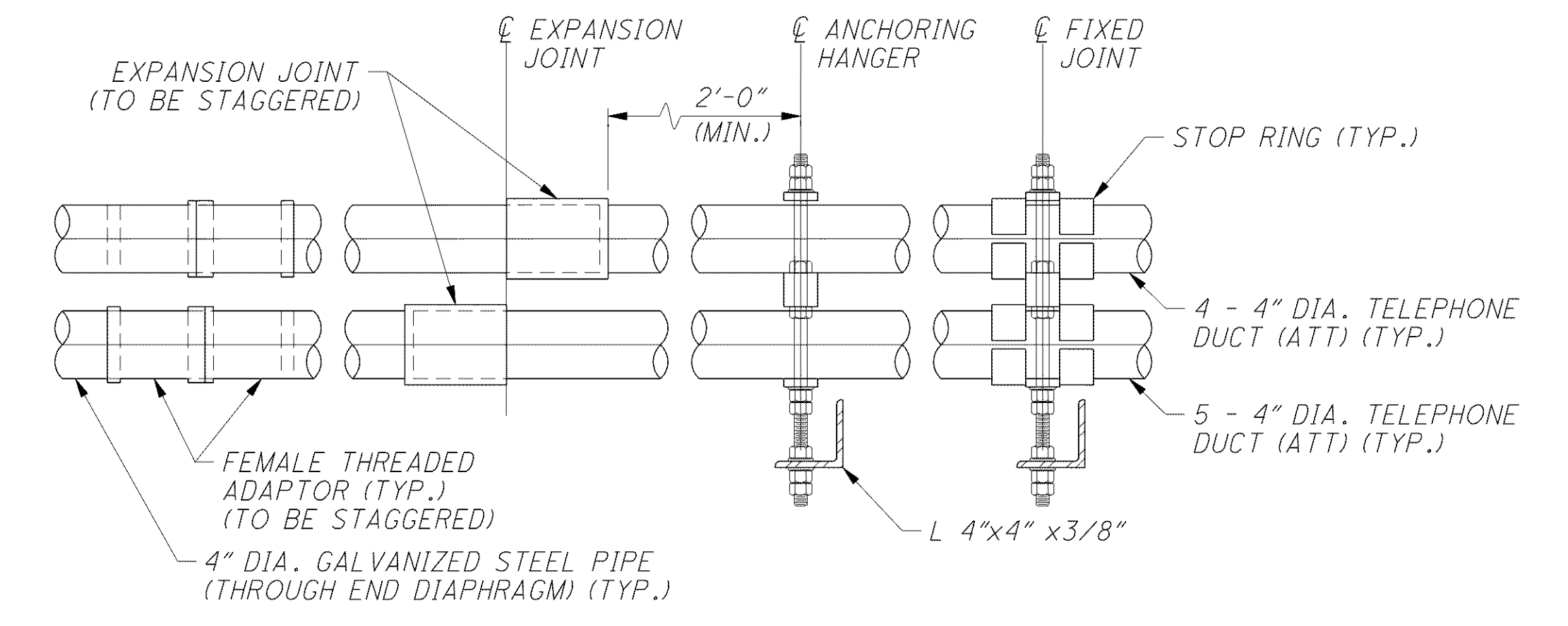
VIEW C-C



VIEW E-E

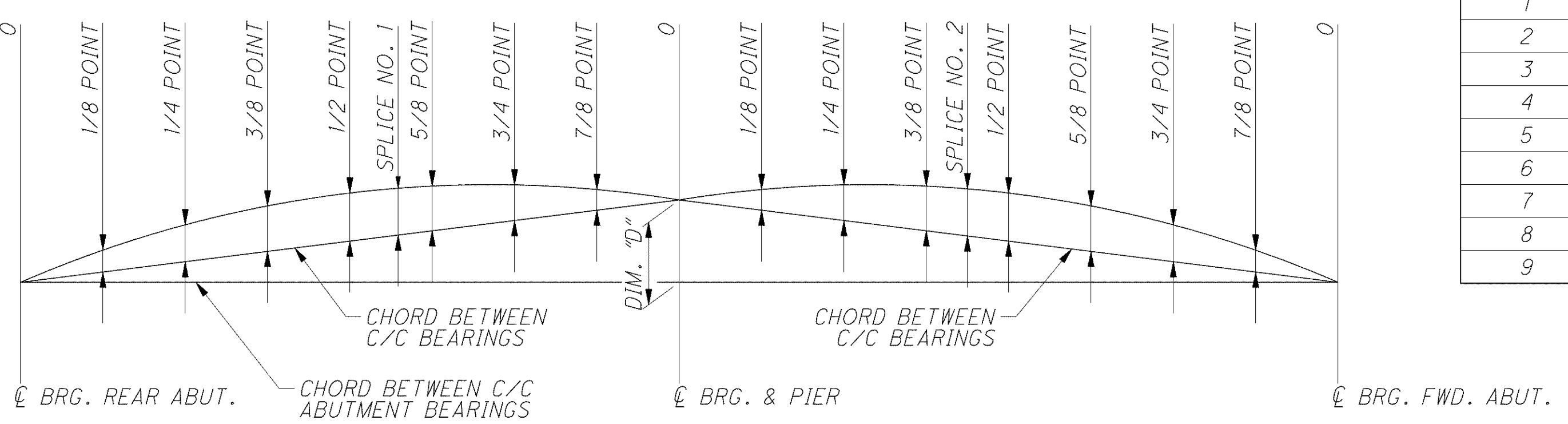


VIEW D-D



VIEW F-F

DIMENSION "D"	
GIRDER	"D"
1	1'-6 1/4"
2	1'-6 3/8"
3	1'-6 1/2"
4	1'-6 5/8"
5	1'-6 11/16"
6	1'-6 3/4"
7	1'-6 13/16"
8	1'-6 13/16"
9	1'-6 13/16"



CAMBER DIAGRAM

DESCRIPTION	C BRG. REAR ABUT.	SPAN NO. 1									C BRG. & PIER	SPAN NO. 2							C BRG. FWD. ABUT.
		1/8 POINT	1/4 POINT	3/8 POINT	1/2 POINT	SPLICE NO. 1	5/8 POINT	3/4 POINT	7/8 POINT	1/8 POINT		1/4 POINT	3/8 POINT	SPLICE NO. 2	1/2 POINT	5/8 POINT	3/4 POINT	7/8 POINT	
		DEFLECTION DUE TO WEIGHT OF STEEL	0"	3/16"	3/8"	7/16"	3/8"	1/4"	1/4"	1/8"		0"	0"	1/16"	1/8"	1/4"	1/4"	3/8"	
DEFLECTION DUE TO REMAINING DEAD LOAD	0"	7/8"	1 7/16"	1 3/4"	1 5/8"	1 1/4"	1 1/4"	5/8"	3/16"	0"	1/8"	5/8"	1 3/16"	1 3/16"	1 5/8"	1 3/4"	1 1/2"	7/8"	0"
ADJUSTMENT REQUIRED FOR VERTICAL CURVE	0"	2 1/16"	3 9/16"	4 7/16"	4 3/4"	4 7/16"	4 7/16"	3 9/16"	2 1/16"	0"	2 1/16"	3 1/2"	4 3/8"	4 3/8"	4 11/16"	4 3/8"	3 1/2"	3 1/2"	0"
REQUIRED SHOP CAMBER	0"	3 1/8"	5 3/8"	6 5/8"	6 3/4"	5 15/16"	5 15/16"	4 5/16"	2 1/4"	0"	2 1/4"	4 1/4"	5 13/16"	5 13/16"	6 11/16"	6 1/2"	5 5/16"	4 9/16"	0"

GIRDER 9 DEFLECTION AND CAMBER TABLE

NOTES

- EXPANSION JOINT FITTINGS SHALL HAVE O-RINGS.
- COUPLINGS AND/OR FITTINGS SHALL HAVE O-RINGS.
- CONDUIT SHALL ONLY PASS THROUGH THE CONDUIT SUPPORT ASSEMBLY. COUPLINGS AND/OR FITTINGS SHALL CLEAR THE CONDUIT SUPPORT ASSEMBLY BY A MINIMUM OF 2 FEET.
- THE MANUFACTURER'S TEMPERATURE RESTRICTIONS FOR USE OF EPOXY ADHESIVE SHALL BE CAREFULLY OBSERVED.
- LOCK WASHERS AND/OR DOUBLE NUTS SHALL BE USED ON THE CONDUIT SUPPORT ASSEMBLY.
- ALL JOINTS SHALL BE GLUED WITH EPOXY. SAND THE SPIGOT END OF THE CONDUIT BEFORE APPLYING THE EPOXY.
- THE CONDUIT MUST BE LOOSE AND PROPERLY ALIGNED IN THE SUPPORT ASSEMBLY.
- ALL JOINTS SHALL BE SEATED BY USING A BLOCK OF WOOD AND A HAMMER. CARE SHALL BE TAKEN NOT TO USE EXCESSIVE FORCE.
- MATERIALS TO BE SUPPLIED BY R.C. CHILDS COMPANY (PHONE NO. : 440-835-3500), OR BY APPROVED ALTERNATE EQUAL.
- FOR UTILITY SUPPORT LOCATIONS, SEE SHEET 29147.
- FOR LIST OF ABBREVIATIONS, SEE SHEET 3147.