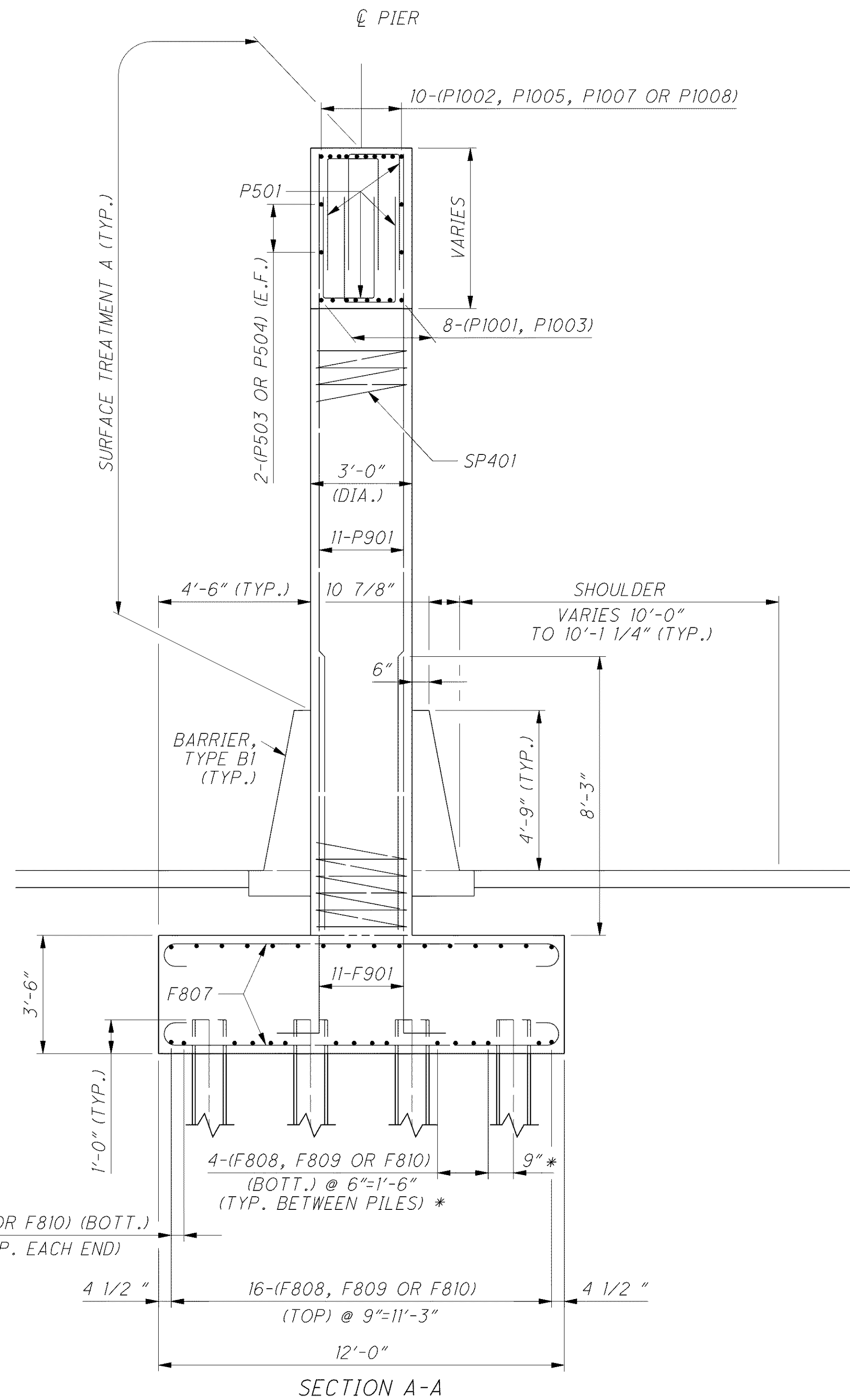
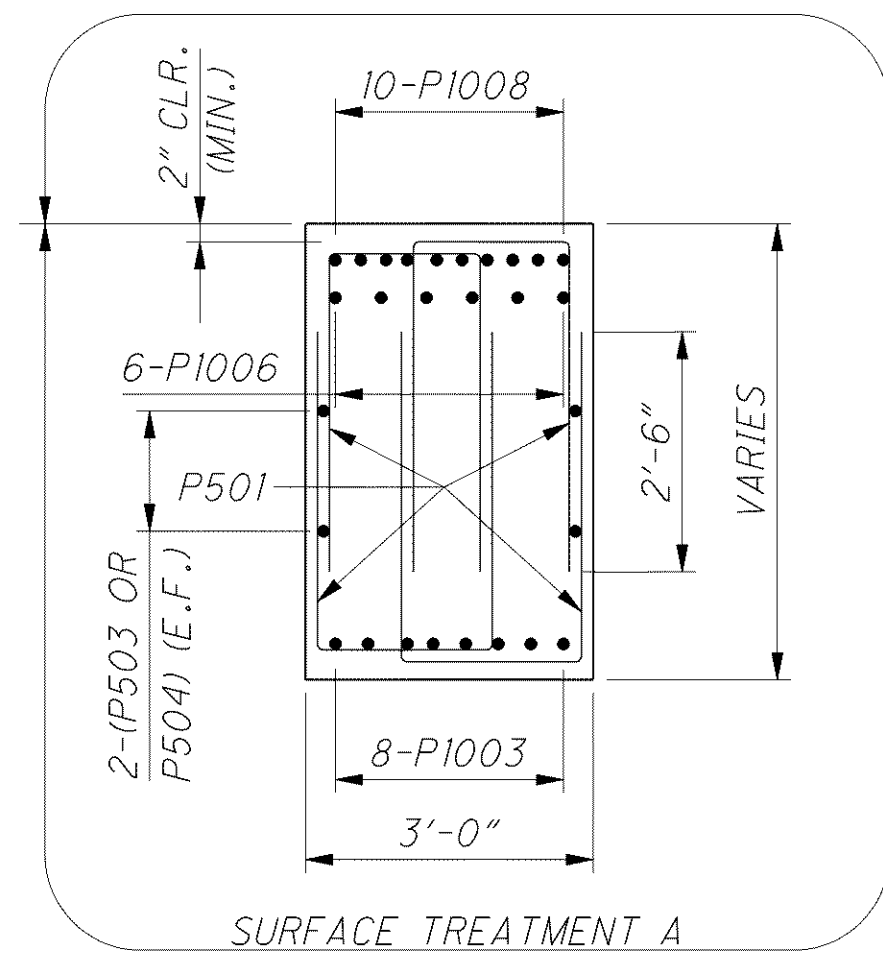


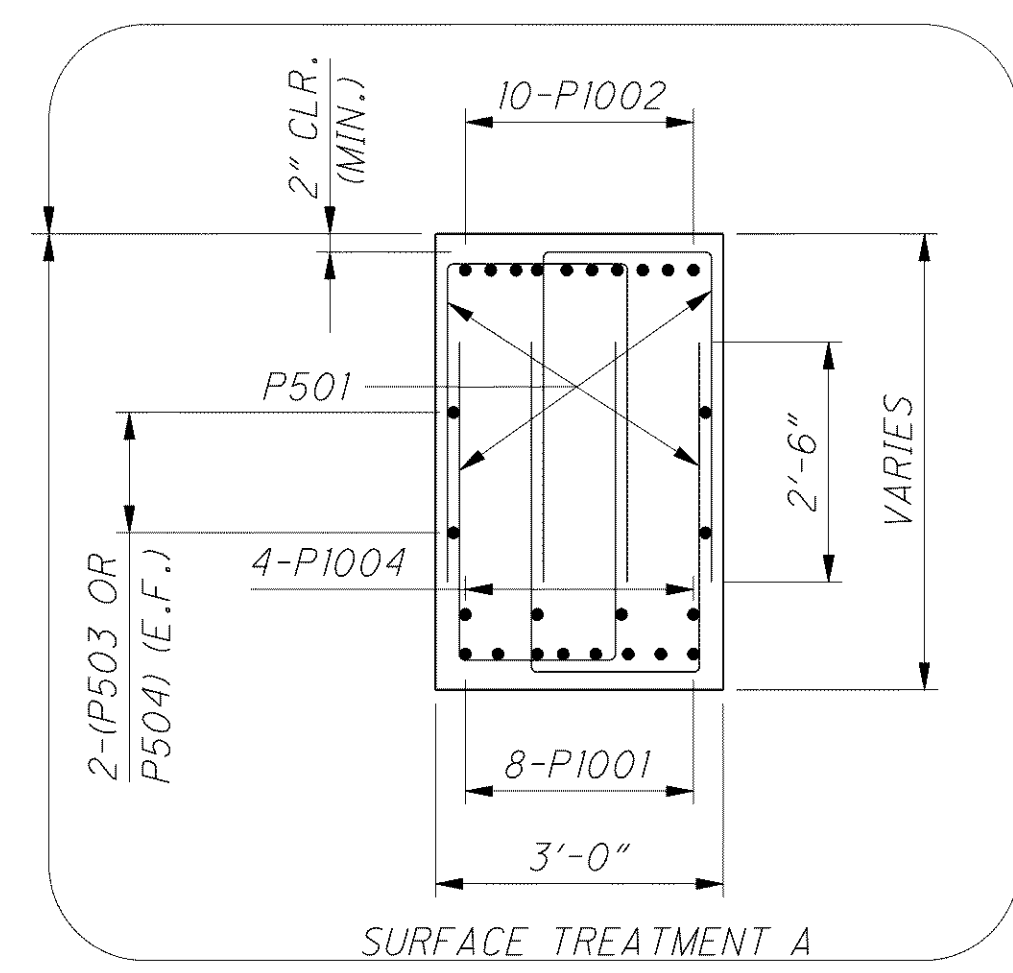
C:\Project\CV000048A001\Drawing\LAK\13486\bridge\LAK002_0542C\sheets\002_0542CP1002.dgn 6/30/2008 6:27:12 PM mbechter



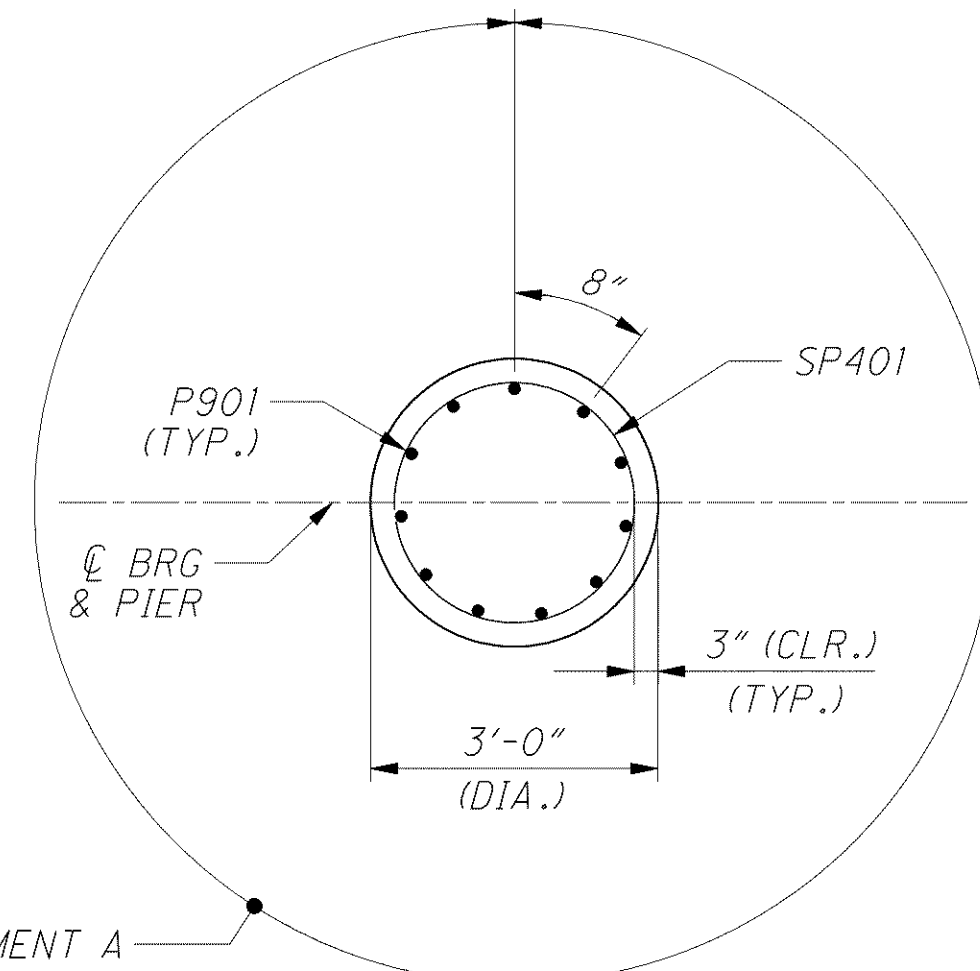
* - ADJUST REINFORCING SPACING TO MAINTAIN 9" FROM CENTERLINE OF PILE AT PILES 57 THRU 64



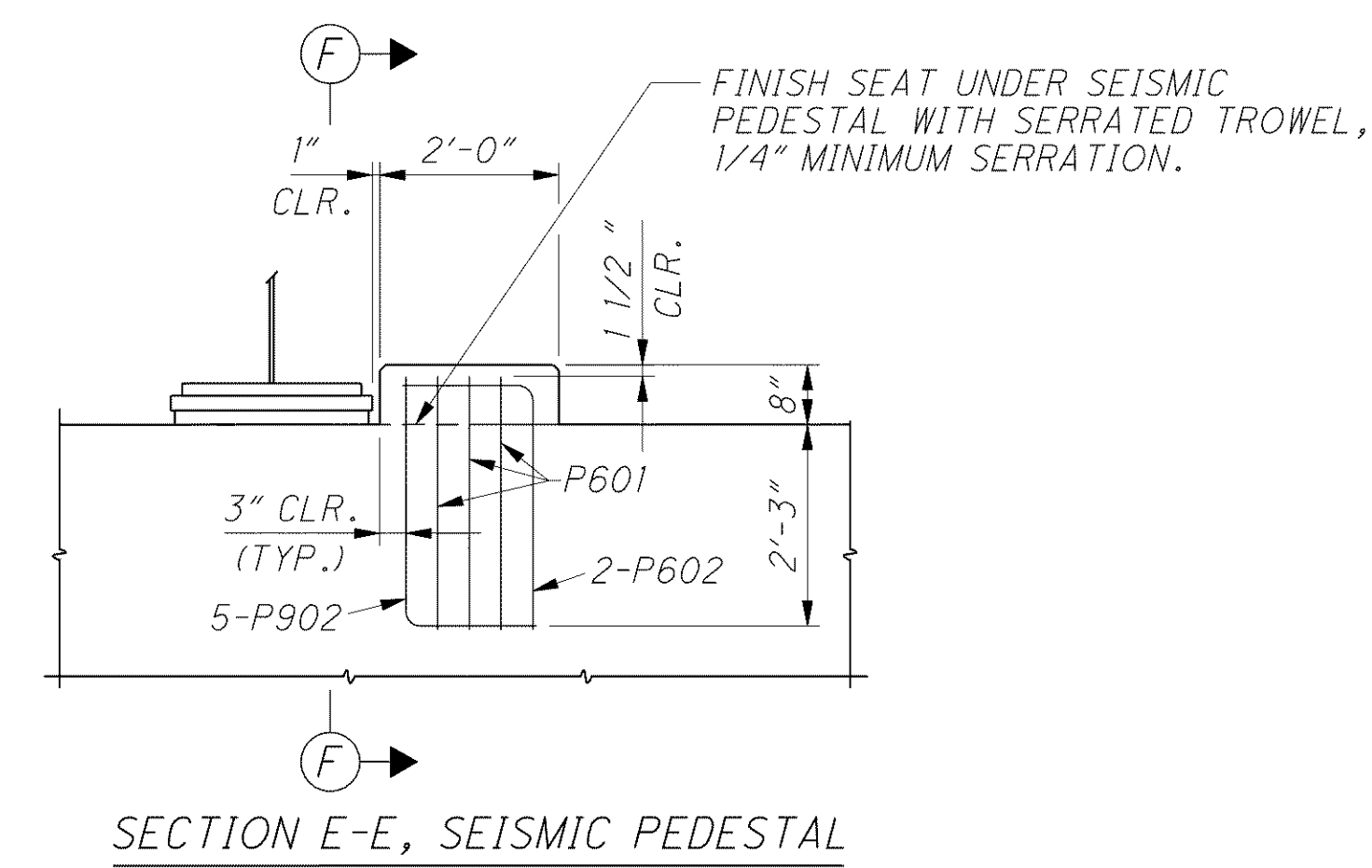
SECTION B-B



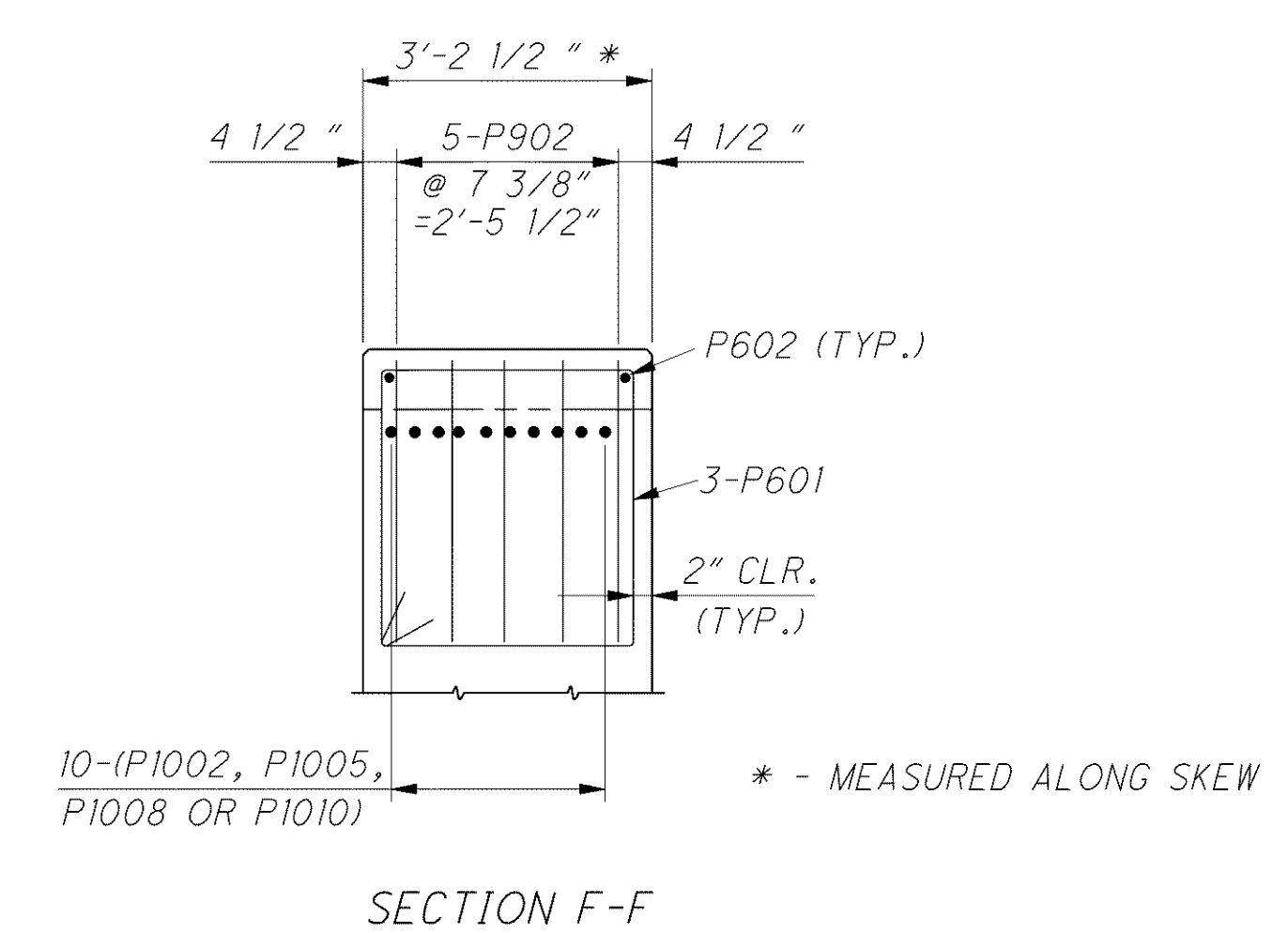
SECTION C-C



SECTION D-D



SECTION E-E, SEISMIC PEDESTAL



SECTION F-F

NOTES

1. FOR ADDITIONAL PIER DETAILS, SEE SHEET [26/47].
2. FOR PILE PLAN, SEE SHEET [20/47].
3. FOR DESCRIPTION OF SURFACE TREATMENT A, SEE SHEET [40/47].
4. FOR LIST OF ABBREVIATIONS, SEE SHEET [3/47].
5. MINIMUM BAR LAPS: #8 BAR = 87" #10 BAR = 139"
6. DO NOT APPLY SEALER TO CONCRETE SURFACES UNDER THE BEARING LOCATION.