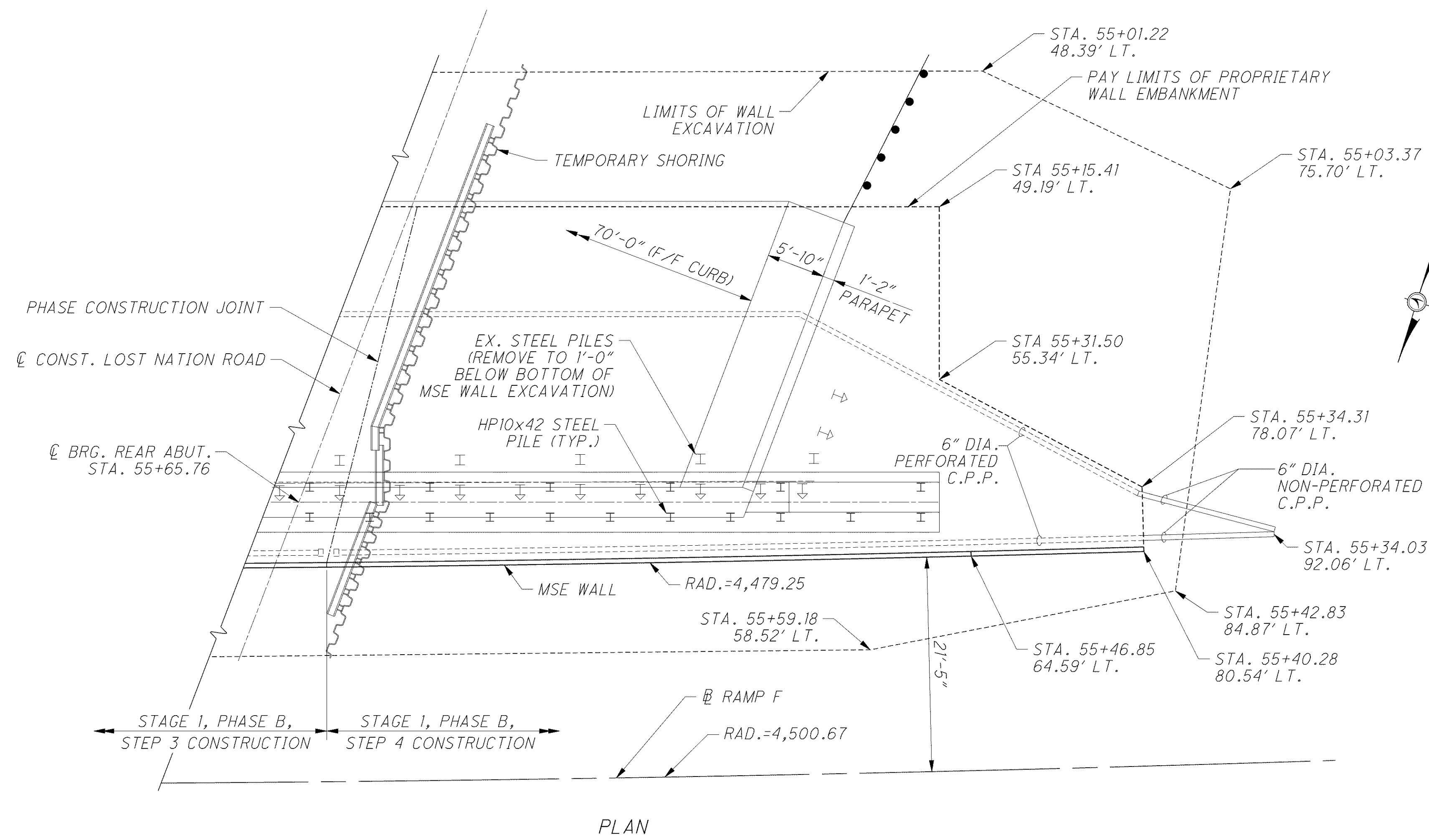
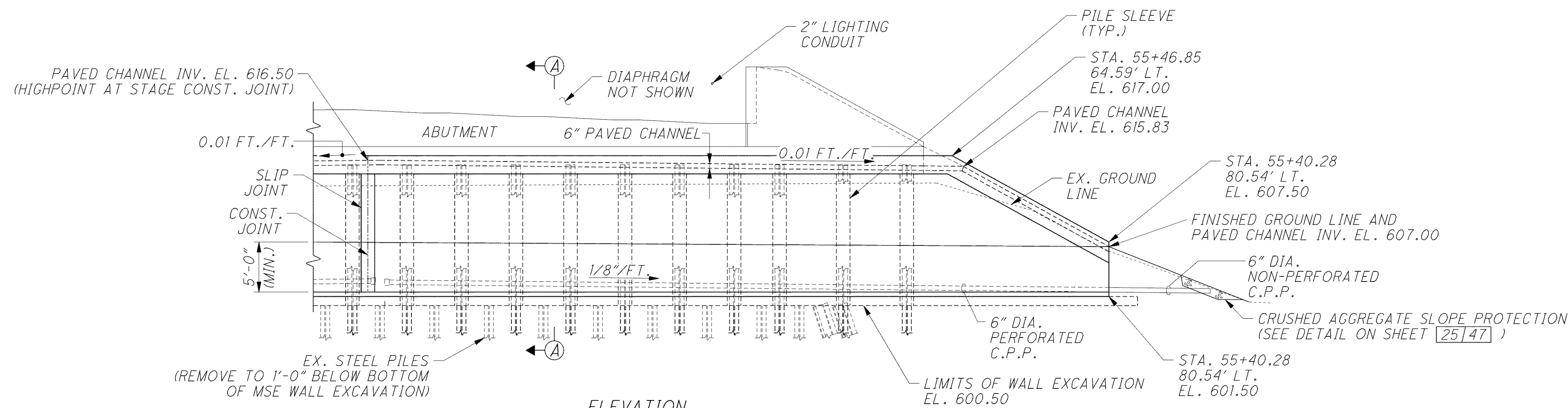


g:\project\c000048a001\drawing\lak\13486\bridge\lak002_0542c\sheets\002_0542CMD005.dgn 6/24/2008 4:58:47 PM troxberry



PLAN



ELEVATION

NOTES

1. FOR TEMPORARY SHORING DETAILS SEE SHEETS [9/47] THRU [12/47].
2. FOR REAR ABUTMENT DETAILS SEE SHEETS [21/47], [22/47] AND [25/47].
3. FOR ADDITIONAL MSE WALL DETAILS SEE SHEETS [15/47] AND [19/47].
4. FOR AESTHETIC DETAILS, SEE SHEET [15/47].
5. FOR LIST OF ABBREVIATIONS, SEE SHEET [3/47].

<p style="font-size: 8px; margin: 0;">DESIGN AGENCY ARCADIS U.S.A., Inc. 1100 Superior Avenue, Suite 1250 Cleveland, Ohio 44114 Tel: 216-781-6177 Fax: 216-781-6243 www.arcadis-us.com</p>	<p>DATE 4/07</p>	<p>REVIEWED CMD</p>	<p>DESIGNED RBB</p>	<p>DRAWN MPB</p>	<p>STRUCTURE FILE NUMBER 4300823</p>
<p>MSE WALL DETAILS - REAR ABUTMENT</p> <p>BRIDGE NO. LAK-2-0542</p> <p>LOST NATION ROAD OVER STATE ROUTE 2</p>					
<p>LAK-2-3.32</p> <p>PID 13486</p>					
<p>16 / 47</p>					
<p>1562</p> <p>1679</p>					