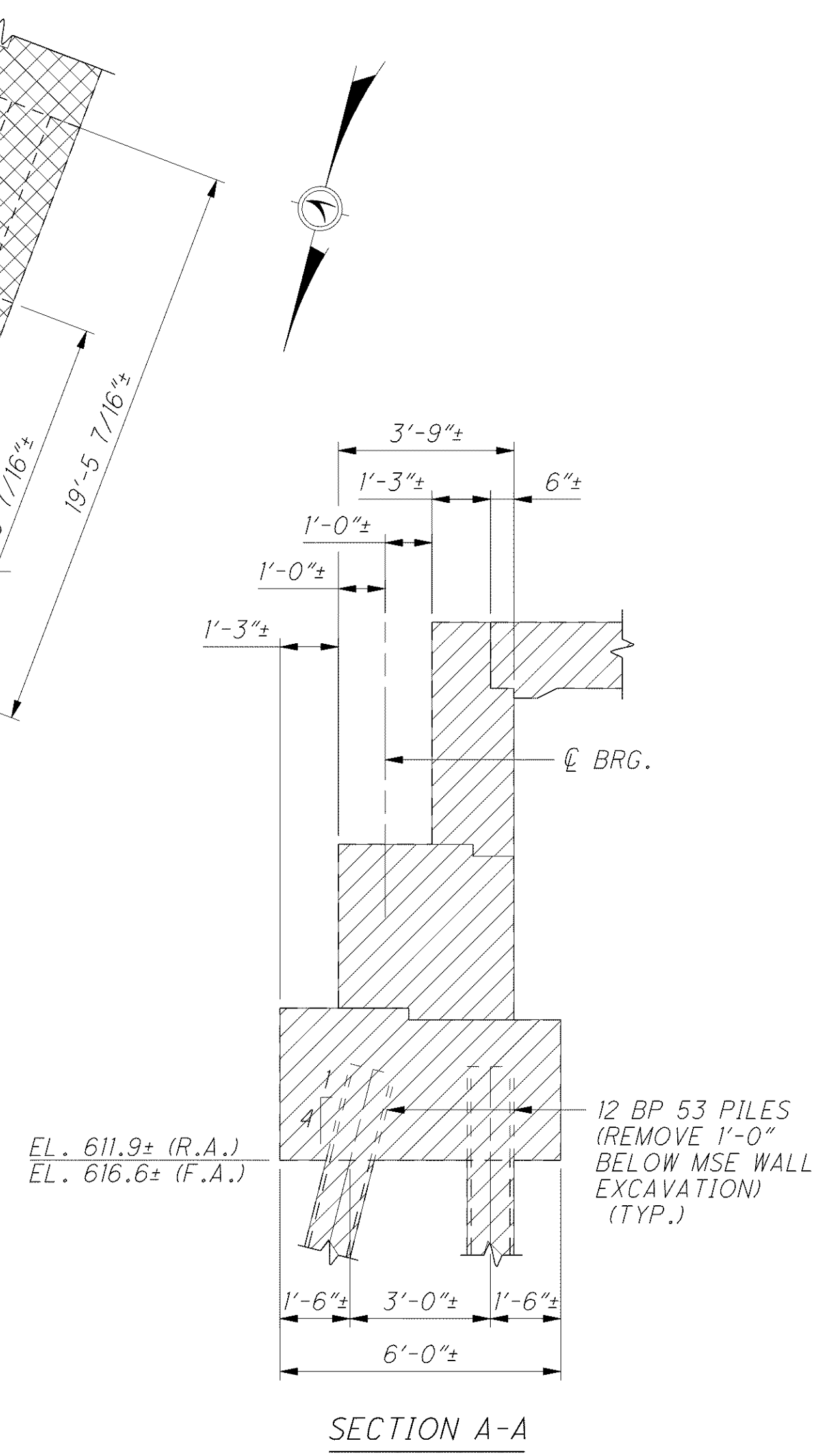
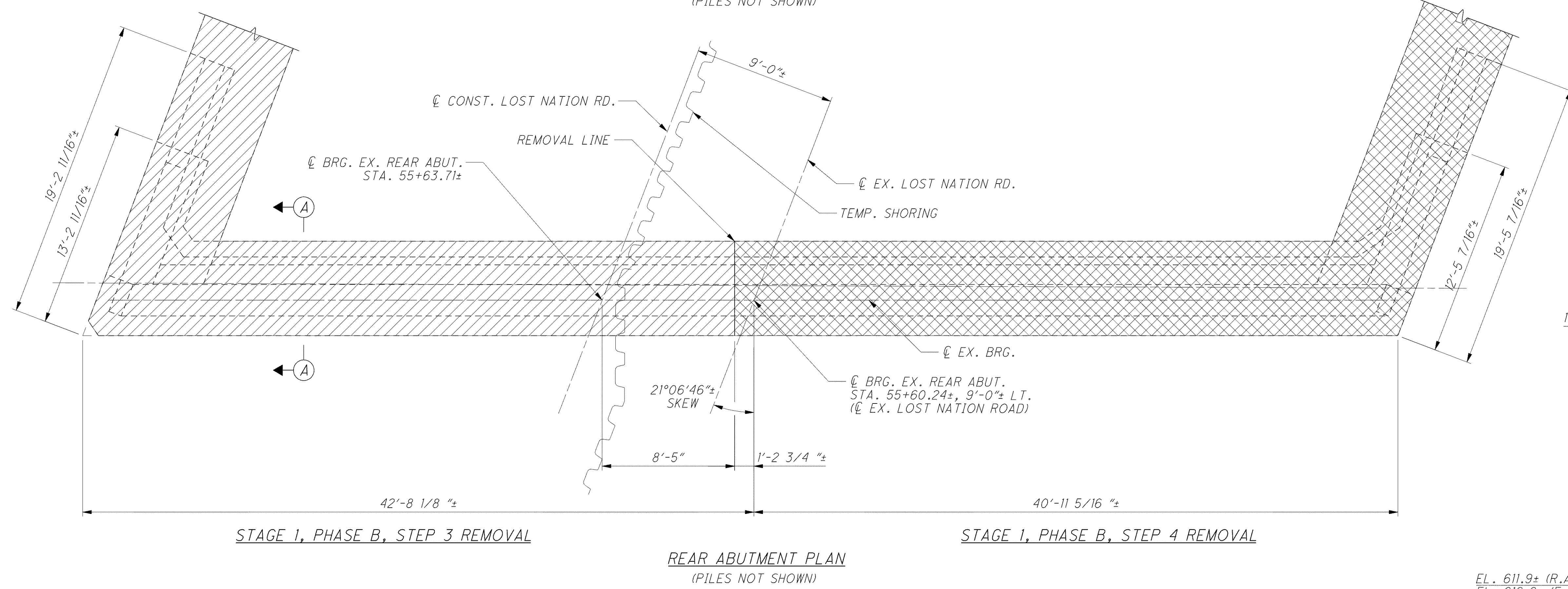
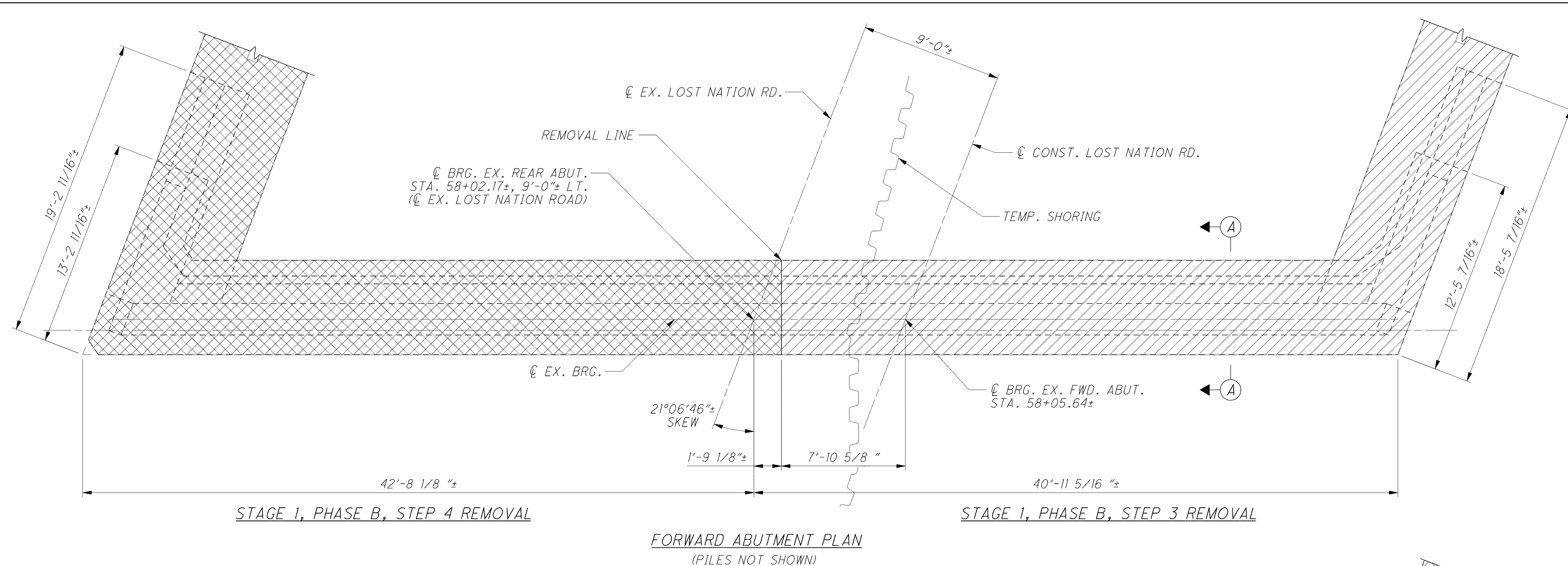


q:\project\cv000048a001\drawing\lak\13486\bridge\lak002\_0542c\sheets\002\_0542CRE001.dgn 6/24/2008 5:00:54 PM troxberry



- NOTES**
1. FOR TEMPORARY SHORING DETAILS SEE SHEETS 9/47 THRU 12/47.
  2. FOR PHASE CONSTRUCTION DETAILS SEE SHEETS 6/47 THRU 8/47.
  3. FOR LIST OF ABBREVIATIONS, SEE SHEET 3/47.

- LEGEND**
- PORTIONS OF STRUCTURE REMOVED DURING STAGE 1, PHASE B, STEP 3 REMOVAL
  - PORTIONS OF STRUCTURE REMOVED DURING STAGE 1, PHASE B, STEP 4 REMOVAL

DESIGN AGENCY: **ARCADIS**  
ARCADIS U.S.A., Inc.  
1900 Superior Avenue, Suite 1250 Cleveland, Ohio 44114  
Tel: 216-781-6177 Fax: 216-781-6243 www.arcadis-us.com

DESIGNED	RBB	CHECKED	SKS
DRAWN	MPB	REVISED	
REVIEWED	CMD	STRUCTURE FILE NUMBER	4300823
DATE	4/07		

REMOVAL DETAILS  
BRIDGE NO. LAK-2-0542  
LOST NATION ROAD OVER STATE ROUTE 2

**LAK-2-3.32**  
**PID 13486**

13 / 47

1559  
1679