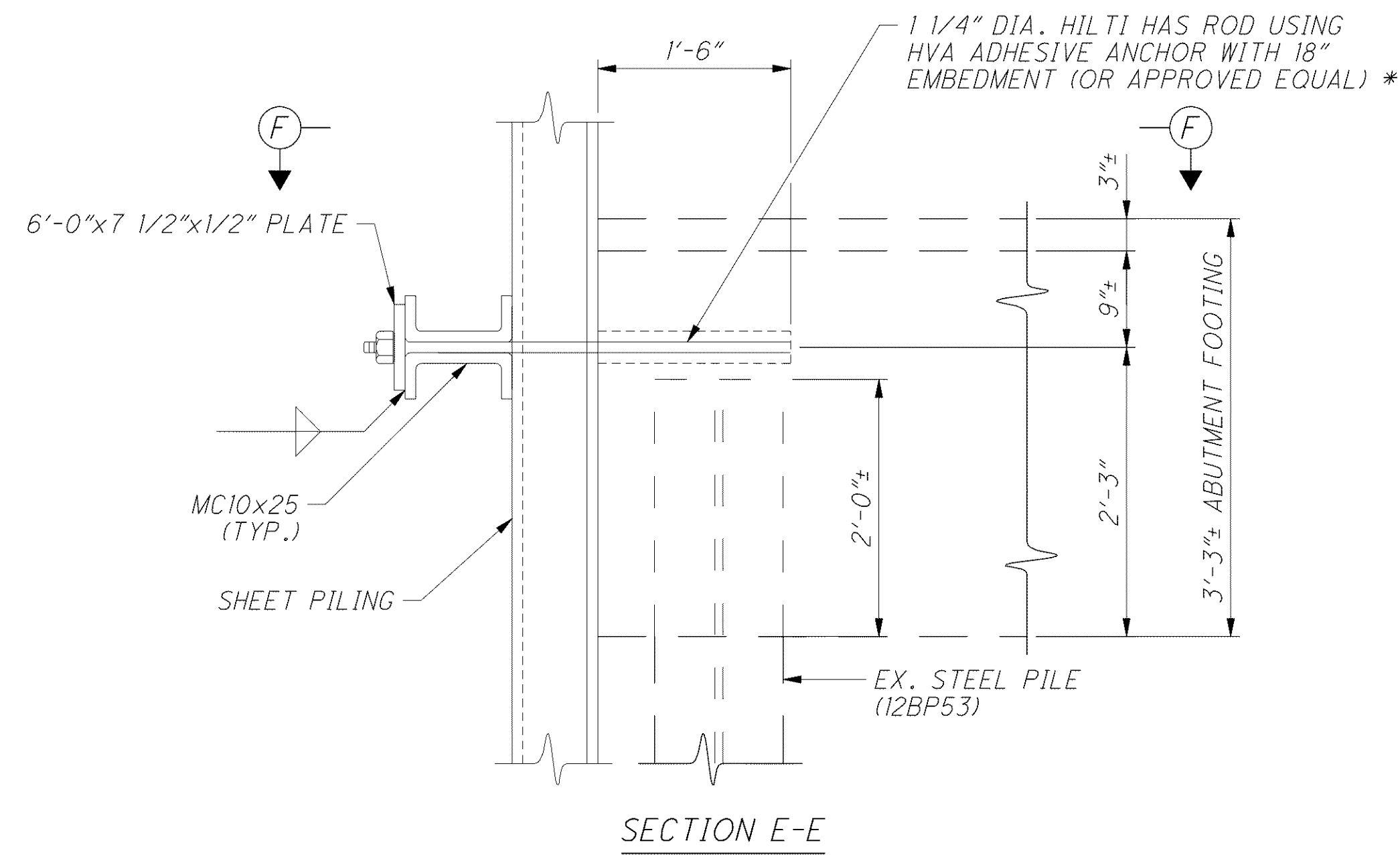
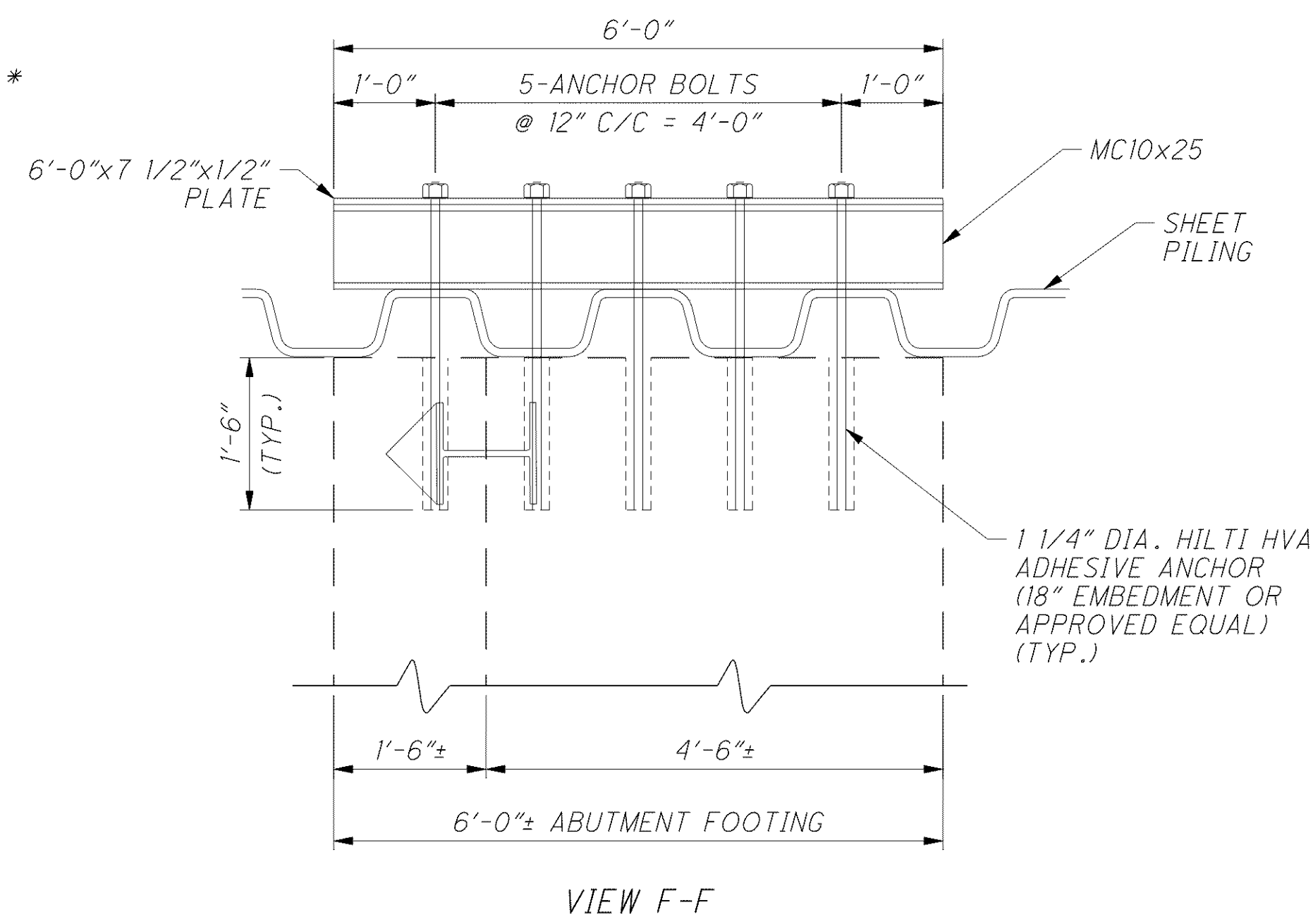


g:\project\cv000048a001\drawing\lak\13486\bridge\lak002_0542c\sheets\002_0542cSH004.dgn 6/24/2008 5:04:32 PM troxberry



SECTION E-E

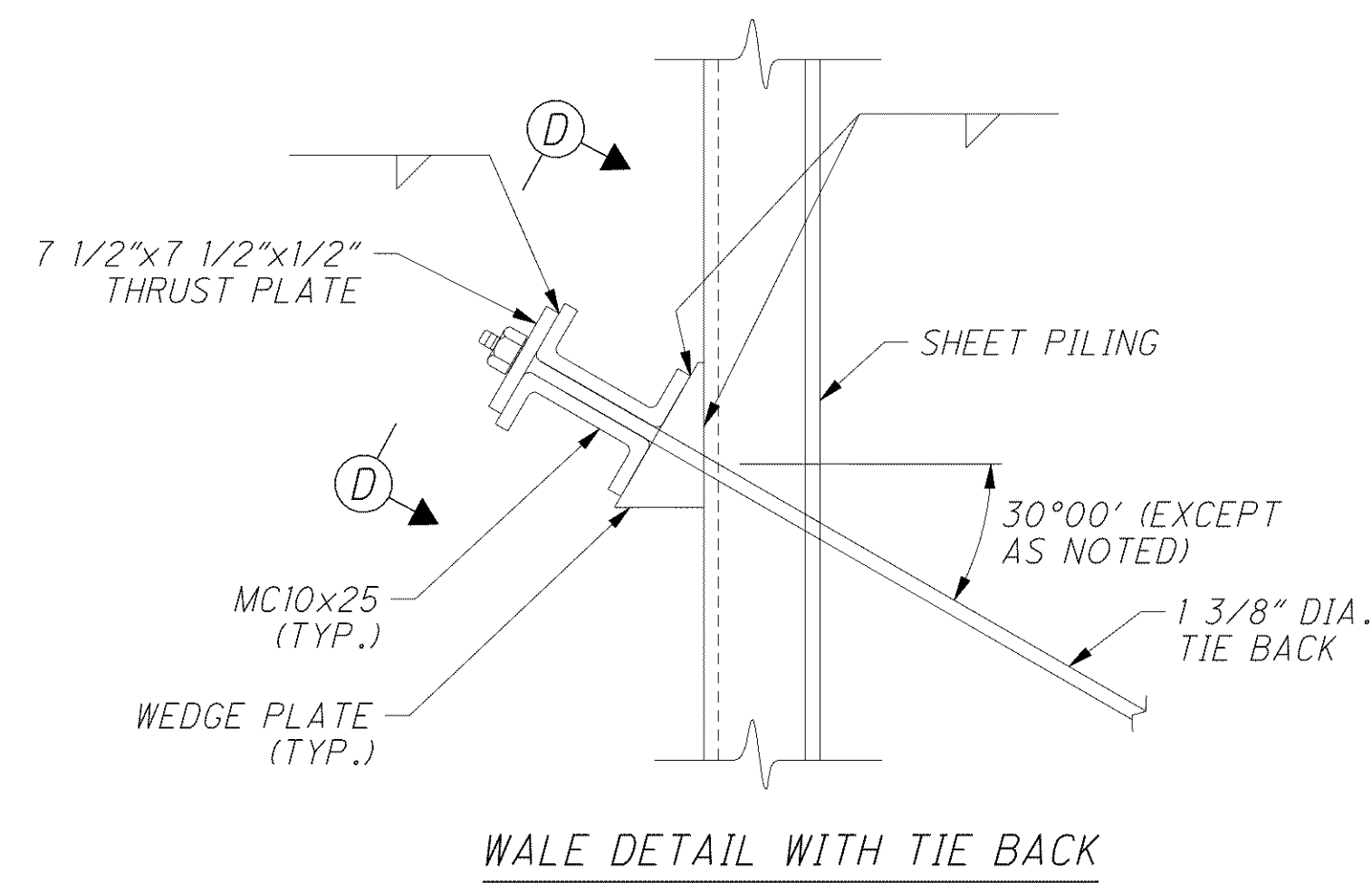


VIEW F-F

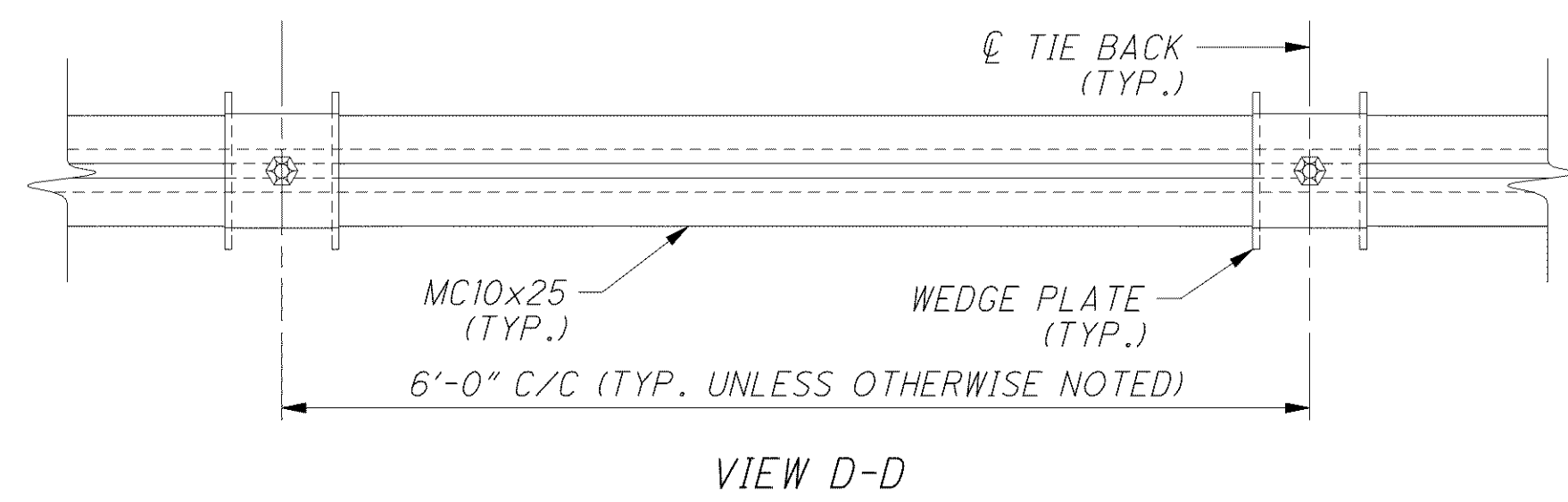
NOTES

1. FOR ADDITIONAL NOTES AND DETAILS, SEE SHEETS 9/47 AND 10/47 .
2. SHEET PILING AND WALE SHALL BE ASTM A572 GRADE 50 STEEL .
3. TIE BACK ANCHORS SHALL BE ASTM A722, TYPE II
ANCHOR DESIGN LOAD = 124 KIPS
ANCHOR PROOF LOAD = 161 KIPS
ANCHOR LOCK-OFF LOAD = 124 KIPS
4. FOR LIST OF ABBREVIATIONS, SEE SHEET 3/47 .

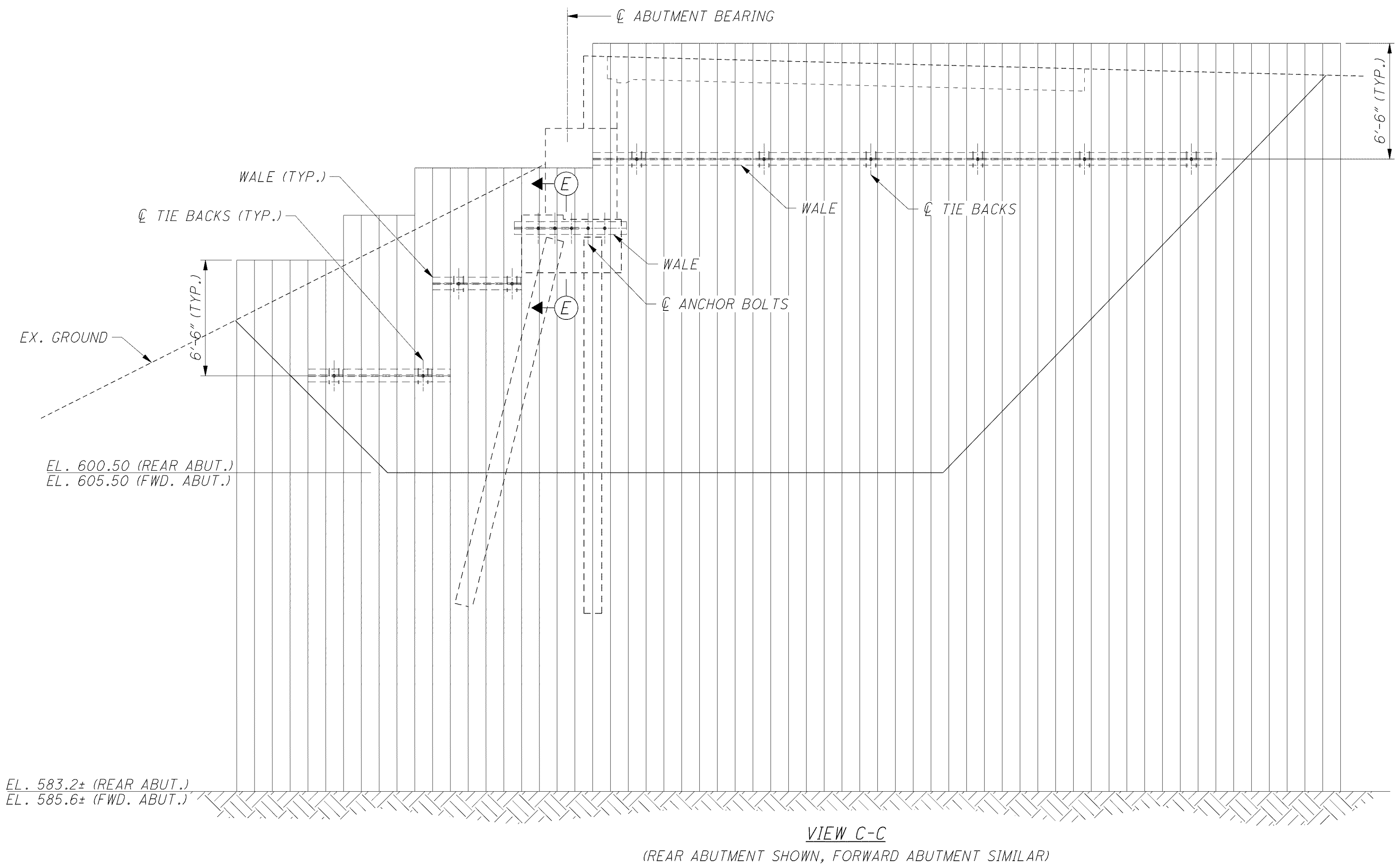
* - INCLUDE WITH ITEM 503, COFFERDAMS, CRIBS AND SHEETING FOR PAYMENT



WALE DETAIL WITH TIE BACK



VIEW D-D



VIEW C-C

(REAR ABUTMENT SHOWN, FORWARD ABUTMENT SIMILAR)

DESIGN AGENCY		DATE	
ARCADIS		4/07	
ARCADIS U.S., INC. 100 Superior Avenue, Suite 1250 Cleveland, Ohio 44114 Tel: 216-781-6177 Fax: 216-781-6245 www.arcadis-us.com		REVIEWED	STRUCTURE FILE NUMBER
DESIGNED	DRAWN	CMD	4300823
RBB	MPB	REVISED	
CHECKED	SKS		

TEMPORARY SHORING DETAILS
BRIDGE NO. LAK-2-0542
LOST NATION ROAD OVER STATE ROUTE 2

LAK-2-3.32
PID 13486

12 / 47

1558
1679