

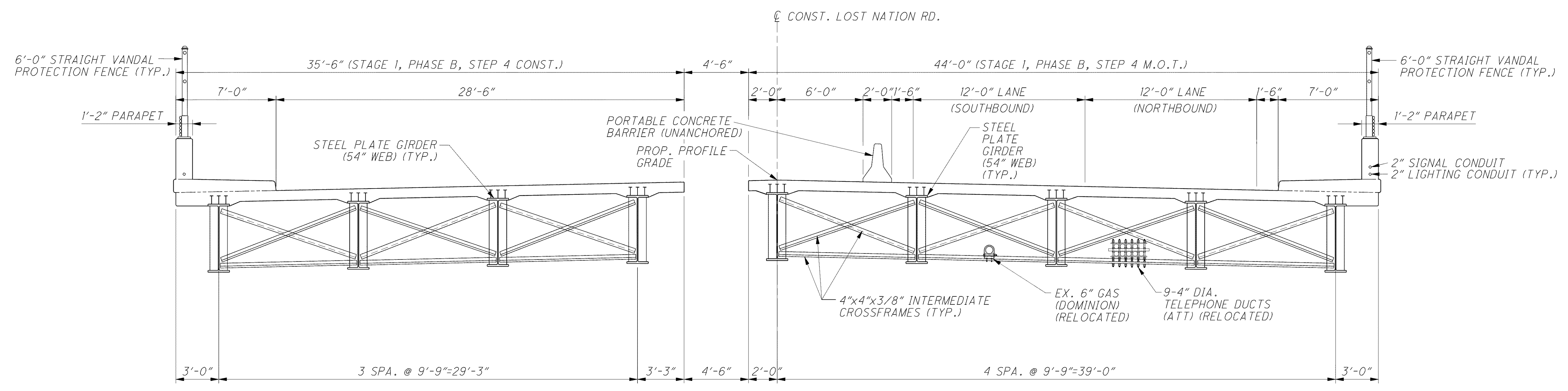
**NOTES**

1. FOR ADDITIONAL PHASE CONSTRUCTION DETAILS SEE SHEETS **6/47** AND **7/47**.
2. FOR LIST OF ABBREVIATIONS, SEE SHEET **3/47**.

DATE	4/07
REVIEWED	F JG
DRAWN	MPB
DESIGNED	RBB
CHECKED	SKS
STRUCTURE FILE NUMBER	4300823

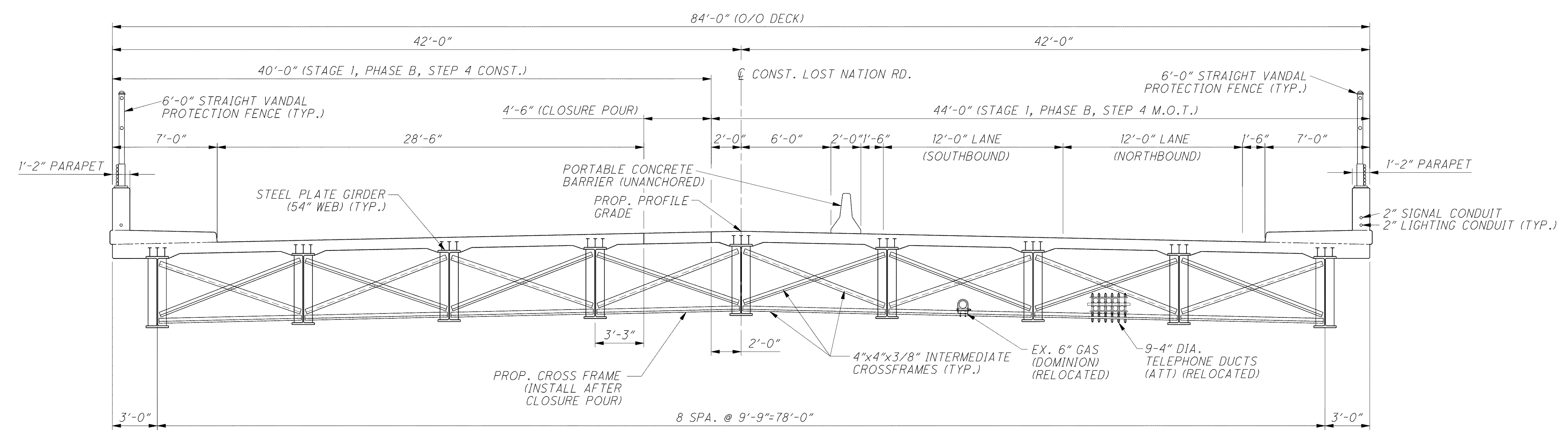
PHASE CONSTRUCTION DETAILS  
 BRIDGE NO. LAK-2-0542  
 LOST NATION ROAD OVER STATE ROUTE 2

**LAK-2-3.32**  
**PID 13486**



STAGE 1, PHASE B, STEP 4 CONSTRUCTION

STAGE 1, PHASE B, STEP 4 MAINTENANCE OF TRAFFIC



STAGE 1, PHASE B, STEP 4 CONSTRUCTION

STAGE 1, PHASE B, STEP 4 MAINTENANCE OF TRAFFIC

o:\project\c000048a001\drawing\lak\13486\bridge\lak002\_0542c\sheets\002\_0542CPC003.dgn 6/24/2008 5:00:04 PM troxberry