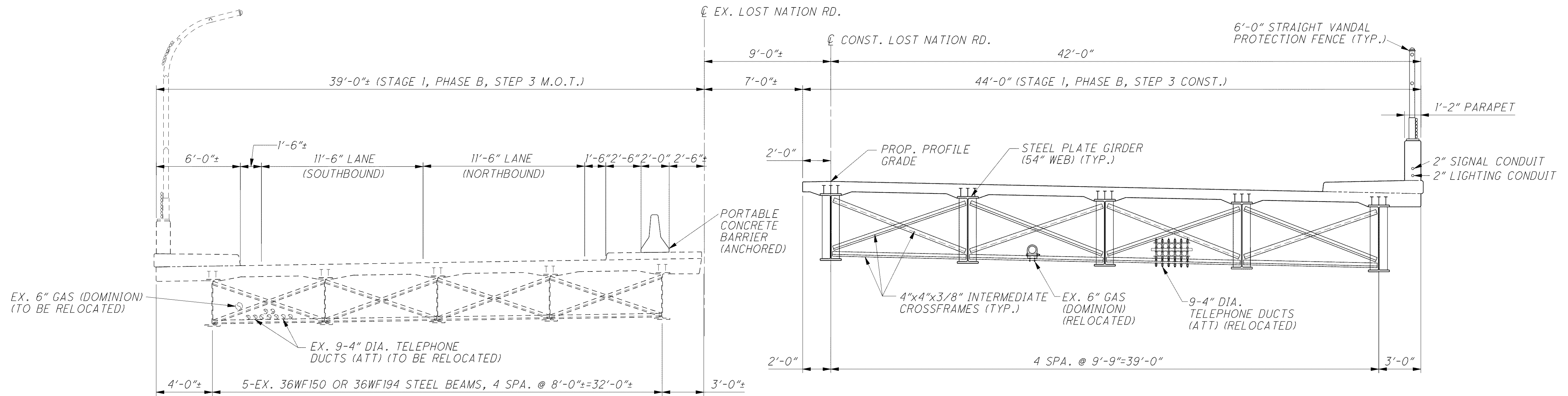


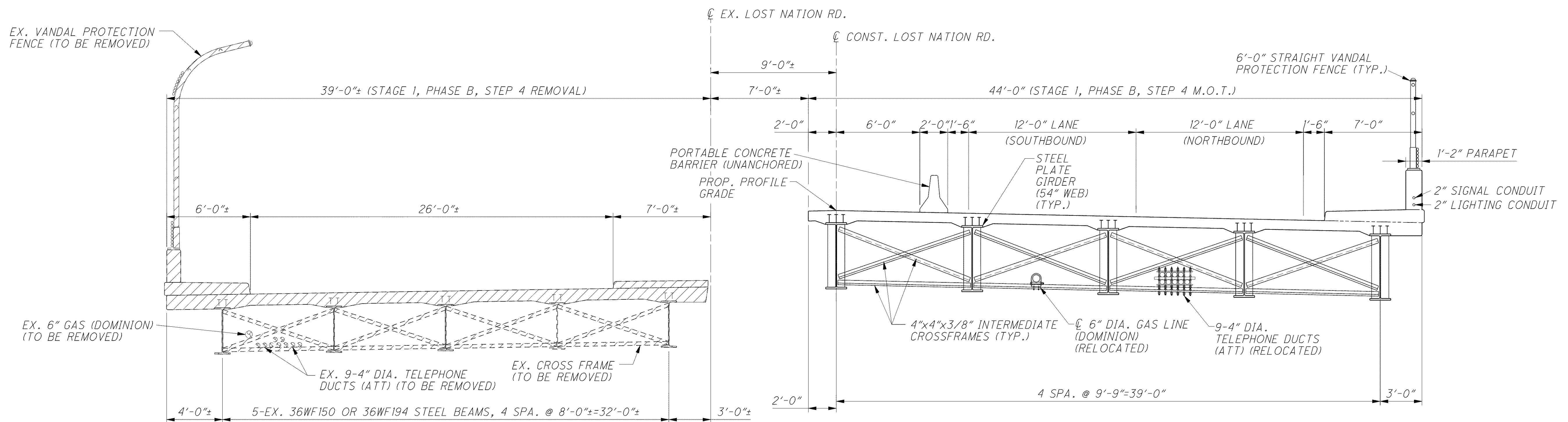
NOTES

1. FOR ADDITIONAL PHASE CONSTRUCTION DETAILS SEE SHEETS [6/47] AND [8/47].
2. FOR LIST OF ABBREVIATIONS, SEE SHEET [3/47].



STAGE 1, PHASE B, STEP 3 MAINTENANCE OF TRAFFIC

STAGE 1, PHASE B, STEP 3 CONSTRUCTION



STAGE 1, PHASE B, STEP 4 REMOVAL

STAGE 1, PHASE B, STEP 4 MAINTENANCE OF TRAFFIC

g:\project\c000048a001\drawing\lak\13486\bridge\lak002_sheets\02_0542c\0542c002.dgn 6/24/2008 4:59:44 PM troxberry

DATE	4/07
REVIEWED	CMD
DRAWN	MPB
DESIGNED	RBB
CHECKED	SKS
STRUCTURE FILE NUMBER	4300823

PHASE CONSTRUCTION DETAILS
 BRIDGE NO. LAK-2-0542
 LOST NATION ROAD OVER STATE ROUTE 2

LAK-2-3.32
PID 13486