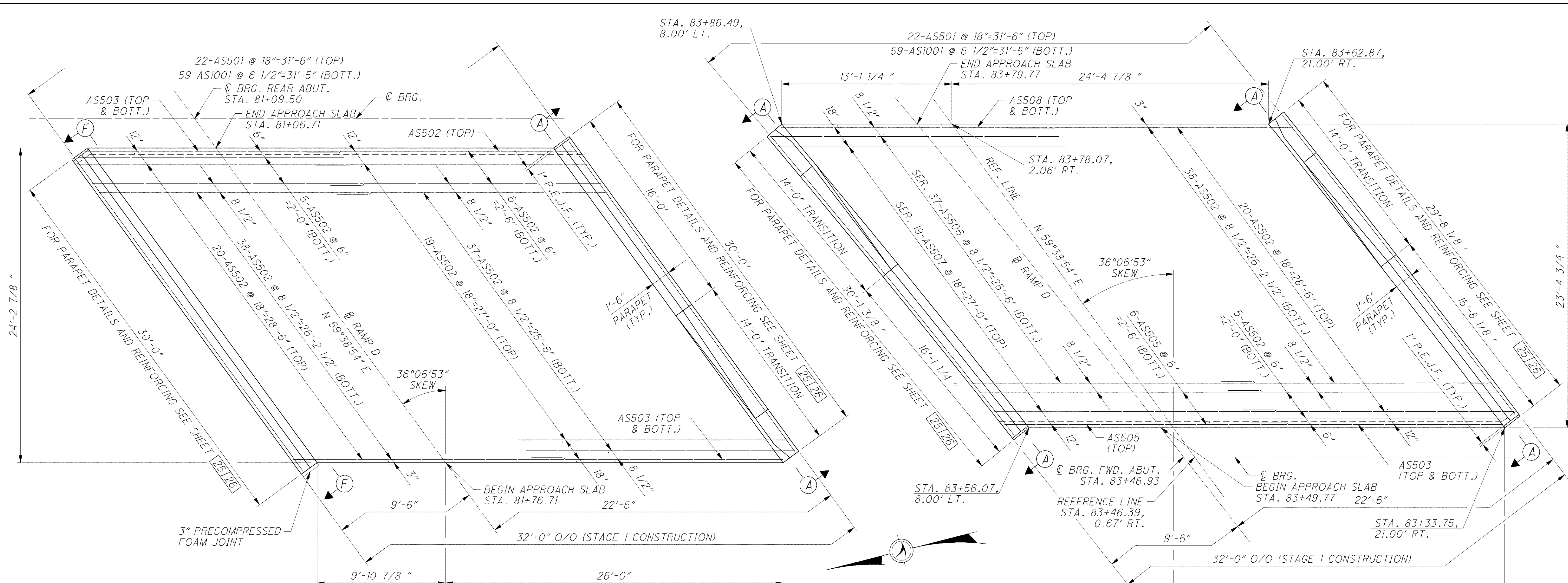
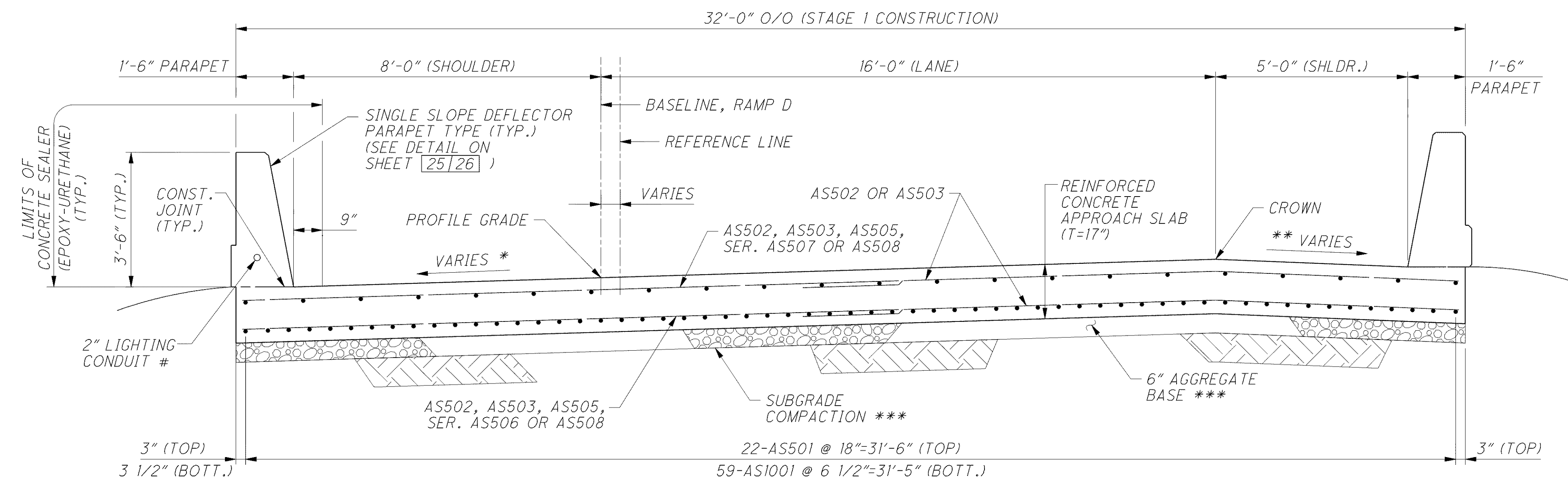


o:\project\c\000048a001\drawing\lak\13486\bridge\002_0530p\002_0530p\001.dgn 6/23/2008 6:21:48 PM troxberry



REAR APPROACH SLAB PLAN

FORWARD APPROACH SLAB PLAN



APPROACH SLAB TRANSVERSE SECTION

NOTES

1. MINIMUM BAR LAPS ARE AS FOLLOWS:
#5 BARS = 41"
2. FOR VIEWS A-A AND F-F, AND ADDITIONAL NOTES AND DETAILS SEE SHEET [25/28].
3. FOR LEGEND OF ABBREVIATIONS SEE SHEET [3/28].
4. FOR CENTERLINE SCHEMATIC SEE SHEET [5/28].

LEGEND

- * SLOPE VARIES FROM 0.016'/FT. MIN. TO 0.043'/FT. MAX.
- ** SLOPE VARIES FROM 0.027'/FT. MIN. TO 0.040'/FT. MAX.
- *** INCLUDED WITH ROADWAY QUANTITIES FOR PAYMENT
- # INCLUDED WITH LIGHTING QUANTITIES FOR PAYMENT

DESIGN AGENCY: **ARCADIS**
 ARCADIS U.S., INC.
 100 Superior Avenue, Suite 1250 Cleveland, Ohio 44114
 Tel: 216-781-6177 Fax: 216-781-6243 www.arcadis-us.com

DESIGNED	MVD	CHECKED	FJG
DRAWN	MPB	REVISED	
REVIEWED	RBB	DATE	12/07
PROJECT NO.	LAK-2-0530 EN	STRUCTURE FILE NUMBER	4300750

BRIDGE NO. LAK-2-0530 EN
 RAMP D OVER CHAGRIN RIVER

APPROACH SLAB DETAILS

LAK-2-3.32
 PID 13486

24/28

1542
 1679