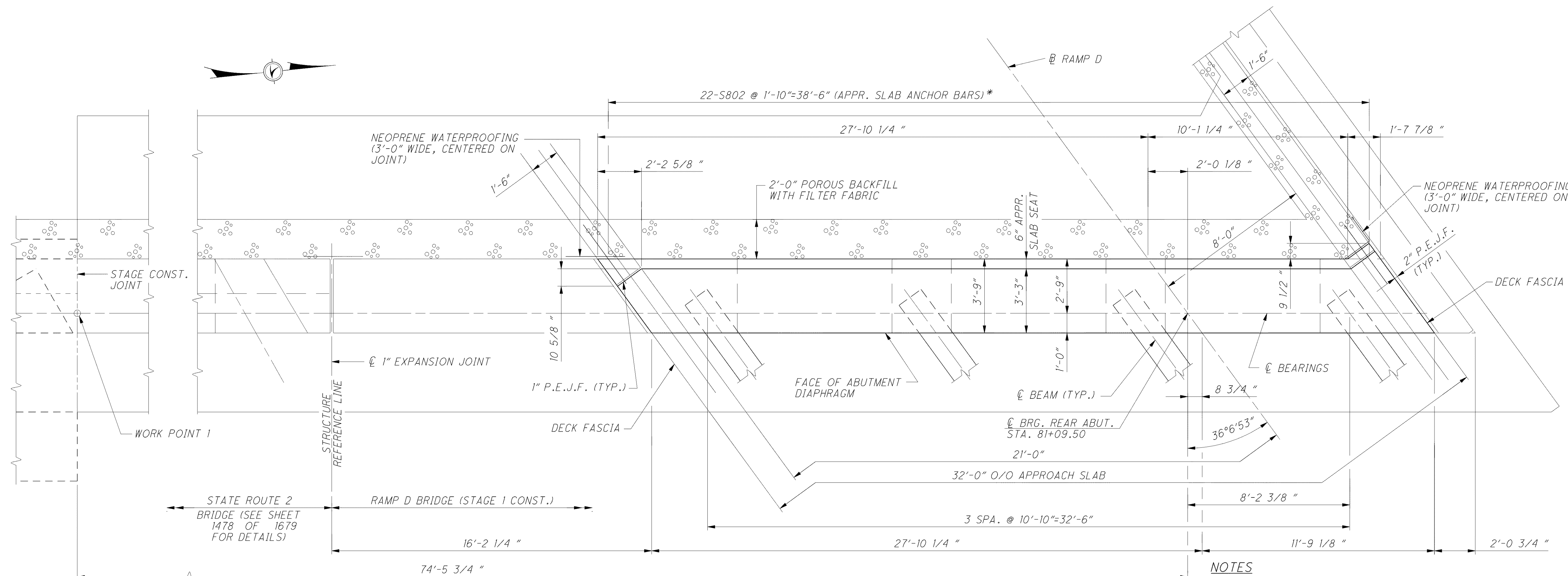


o:\project\c000048a001\drawing\lak\13486\bridge\lak002_0530p\sheets\002_0530p\SP0003.dgn 6/23/2008 6:23:07 PM troxberry

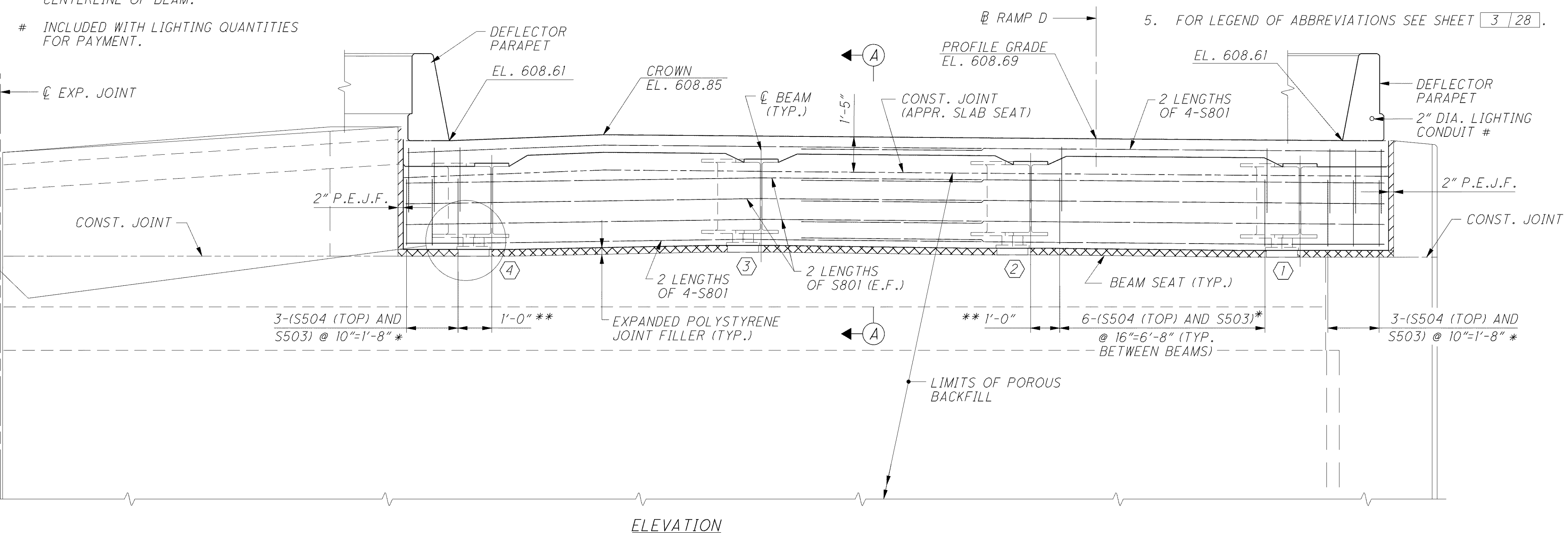
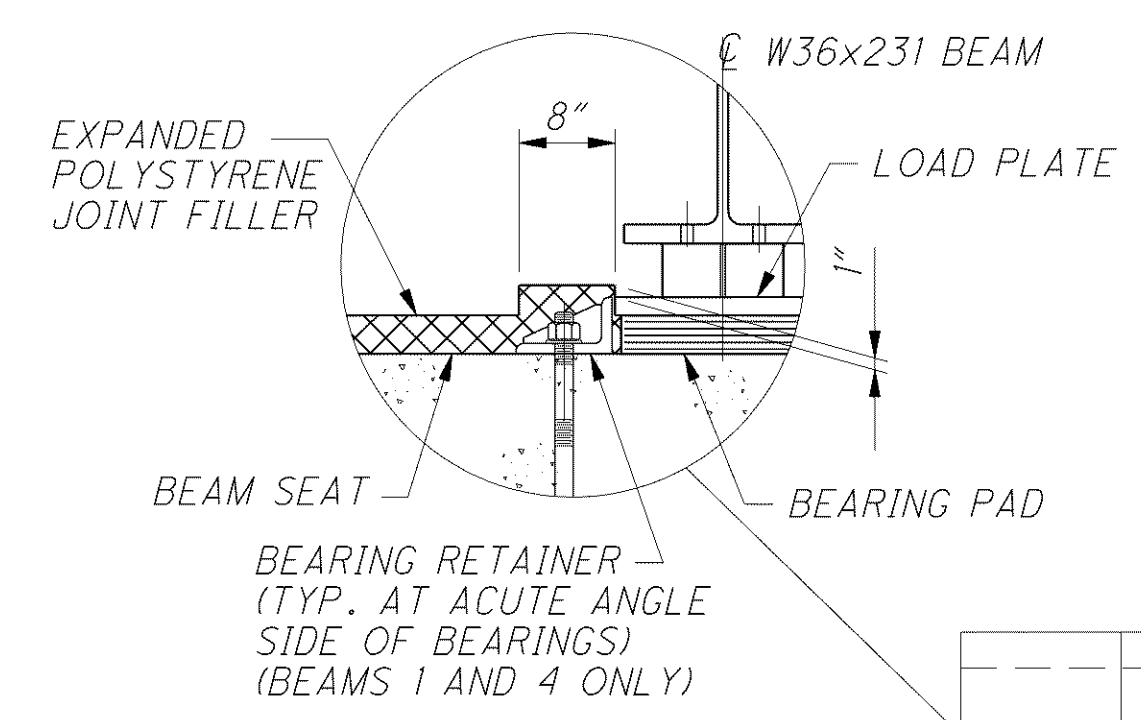


LEGEND

- * REINFORCEMENT TO BE PLACED PARALLEL WITH THE CENTERLINE OF THE BEAMS.
- ** DIMENSIONS TAKEN PERPENDICULAR TO CENTERLINE OF BEAM.
- # INCLUDED WITH LIGHTING QUANTITIES FOR PAYMENT.

PLAN

1. MINIMUM BAR LAPS ARE AS FOLLOWS:
#5 BARS = 41" #8 BARS = 87"
2. ALL ELEVATIONS ARE TAKEN AT THE CENTERLINE OF THE ABUTMENT BEARINGS.
3. FOR ADDITIONAL ABUTMENT DIAPHRAGM DETAILS INCLUDING SECTION A-A AND ADDITIONAL NOTES SEE SHEETS 18 | 28 AND 19 | 28.
4. FOR ADDITIONAL BEARING RETAINER DETAILS SEE ODOT STD. DRAWING SICD-1-96.
5. FOR LEGEND OF ABBREVIATIONS SEE SHEET 3 | 28.



ELEVATION

DESIGN AGENCY ARCADIS ARCADIS U.S., Inc. 100 Superior Avenue, Suite 1250 Cleveland, Ohio 44114 Tel: 216-781-6177 Fax: 216-781-6243 www.arcadis-us.com	DATE	12/07
	REVIEWED	RBB
BRIDGE NO. LAK-2-0530 EN RAMP D OVER CHAGRIN RIVER	DRAWN	CAF
	CHECKED	FJG
LAK-2-3.32 PID 13486	STRUCTURE FILE NUMBER 4300750	DESIGNED MVD
17 / 28	1535 1679	REAR ABUTMENT DIAPHRAGM PLAN AND ELEVATION