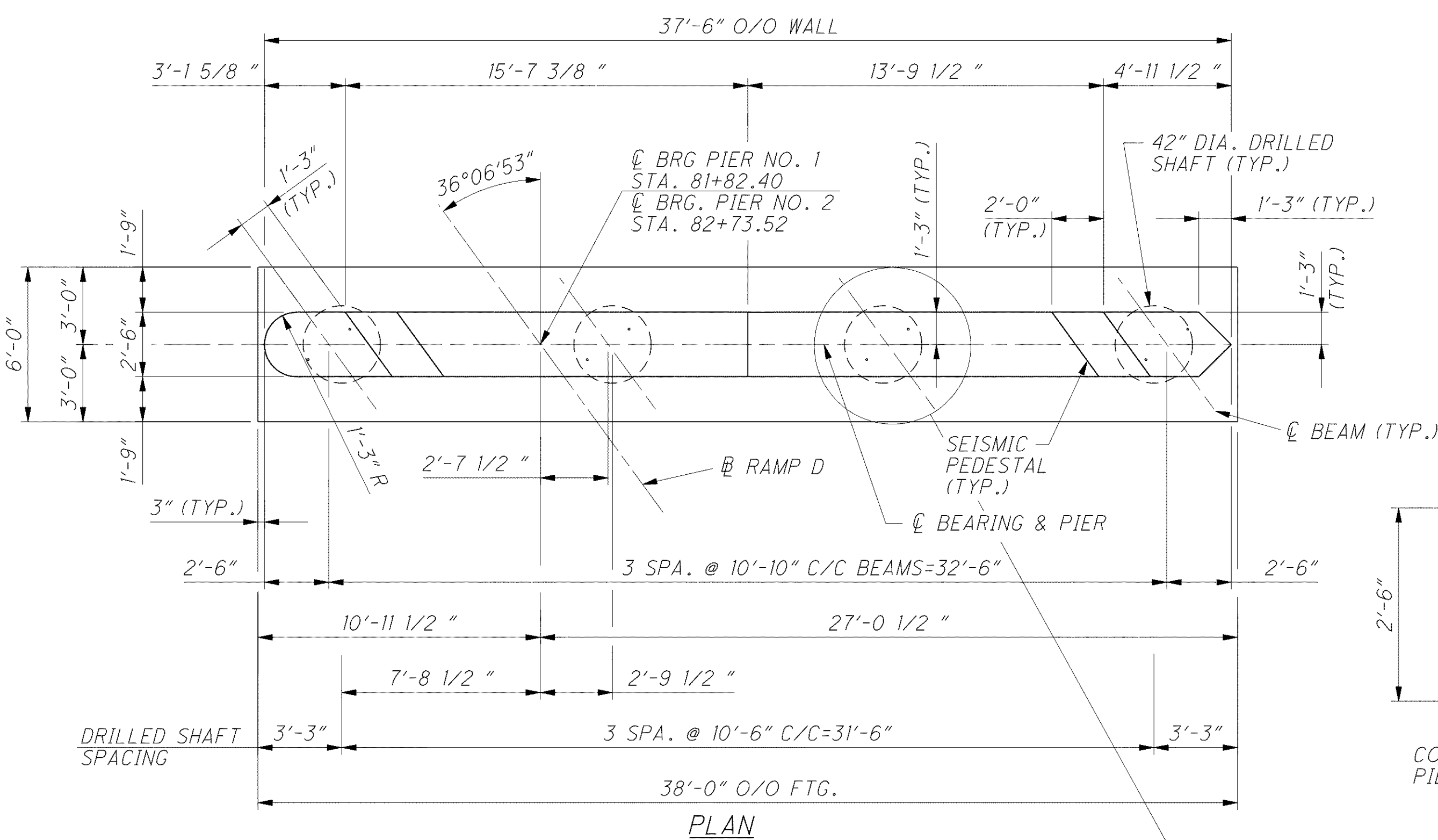
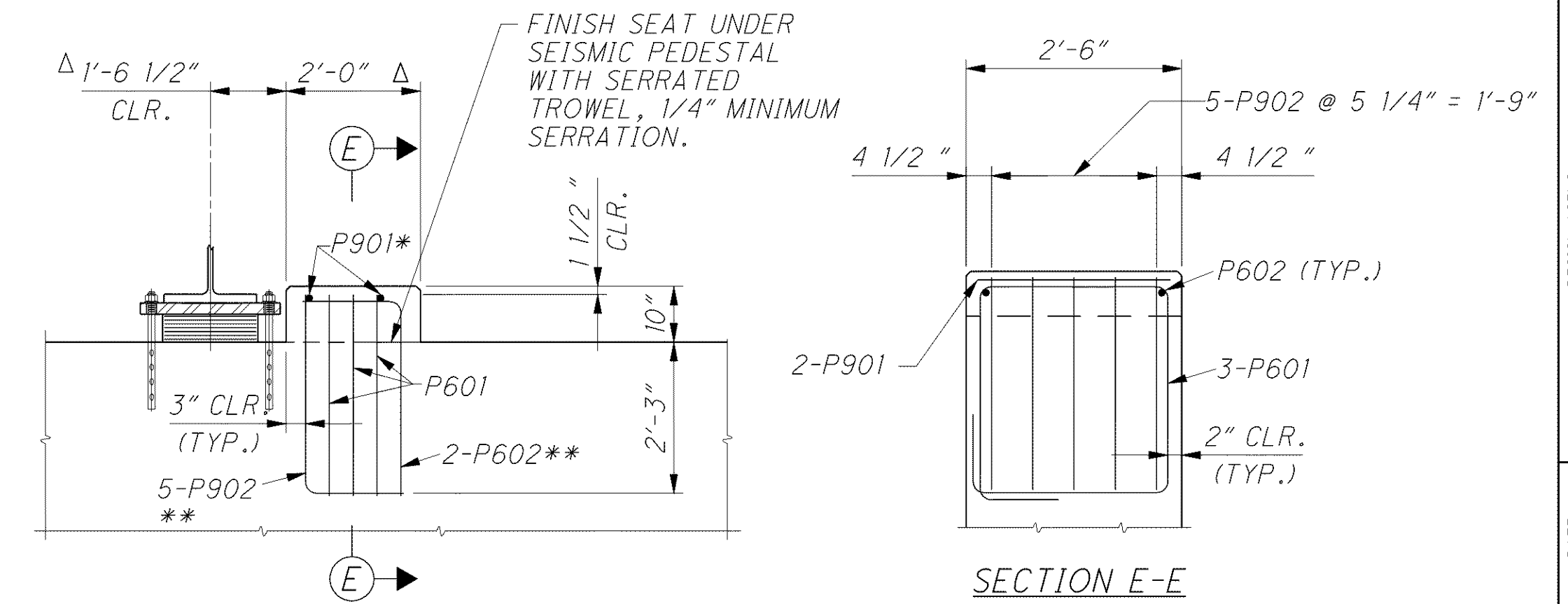
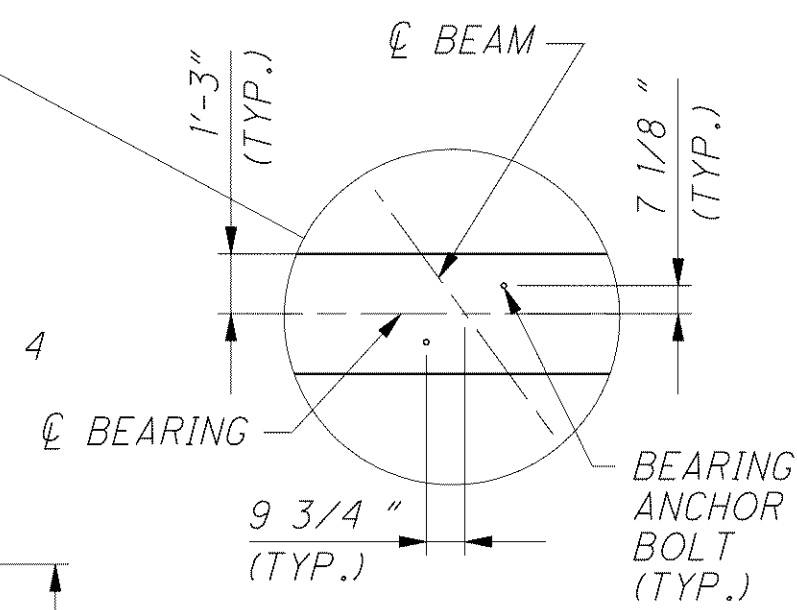
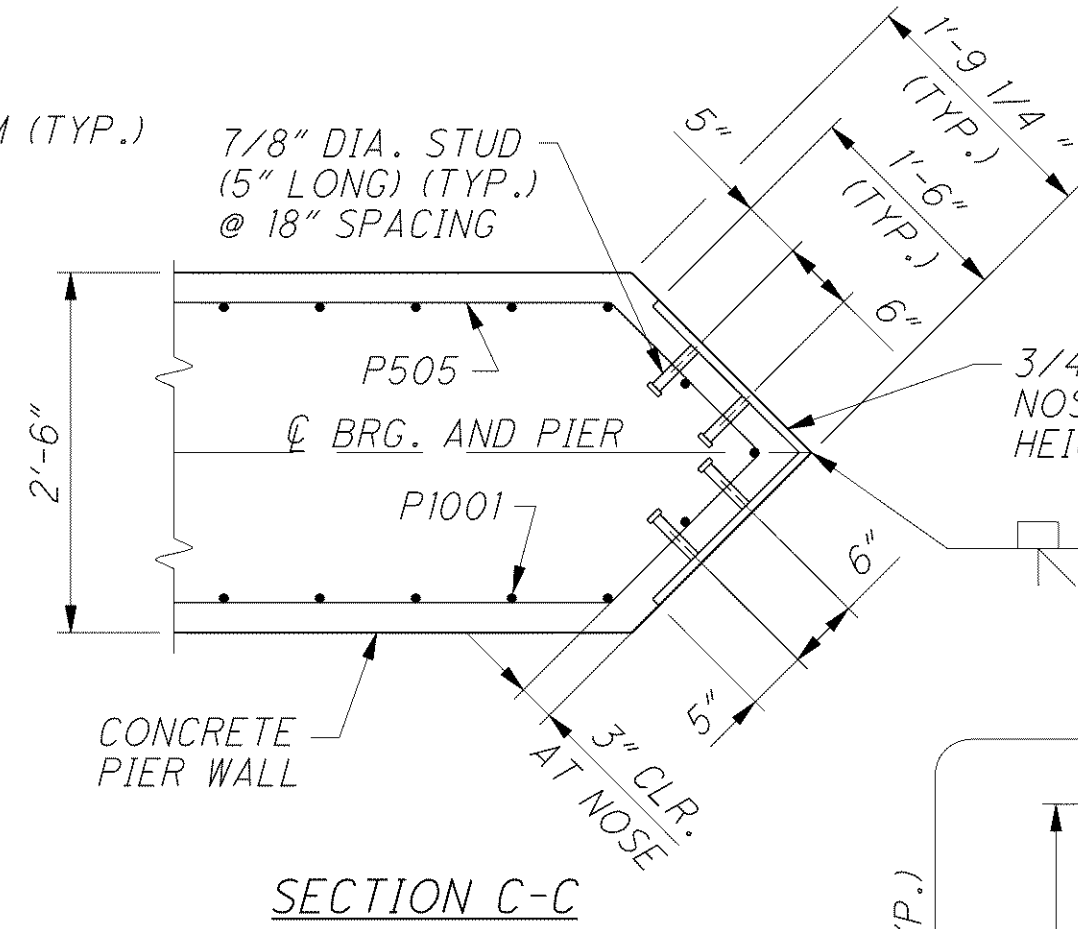
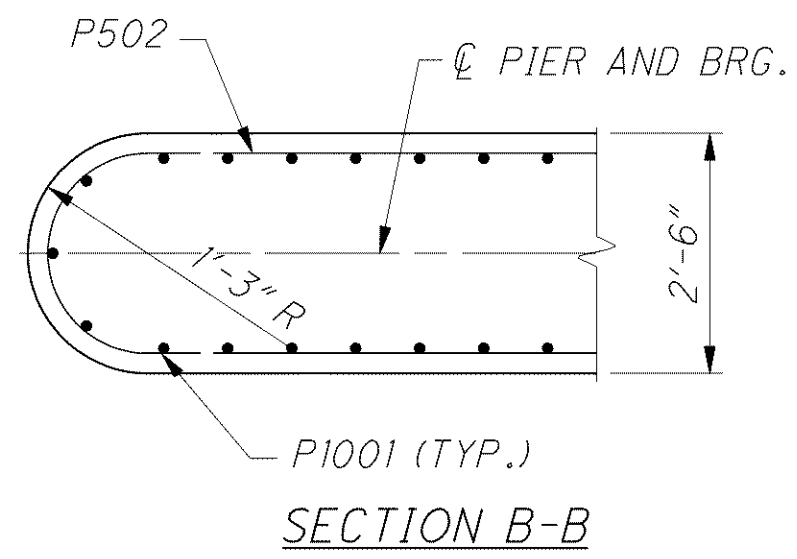


o:\project\c000048a001\drawing\lak\13486\bridge\lak002_0530p\sheets\002_0530PPI001.dgn 6/23/2008 6:22:19 PM troxberry



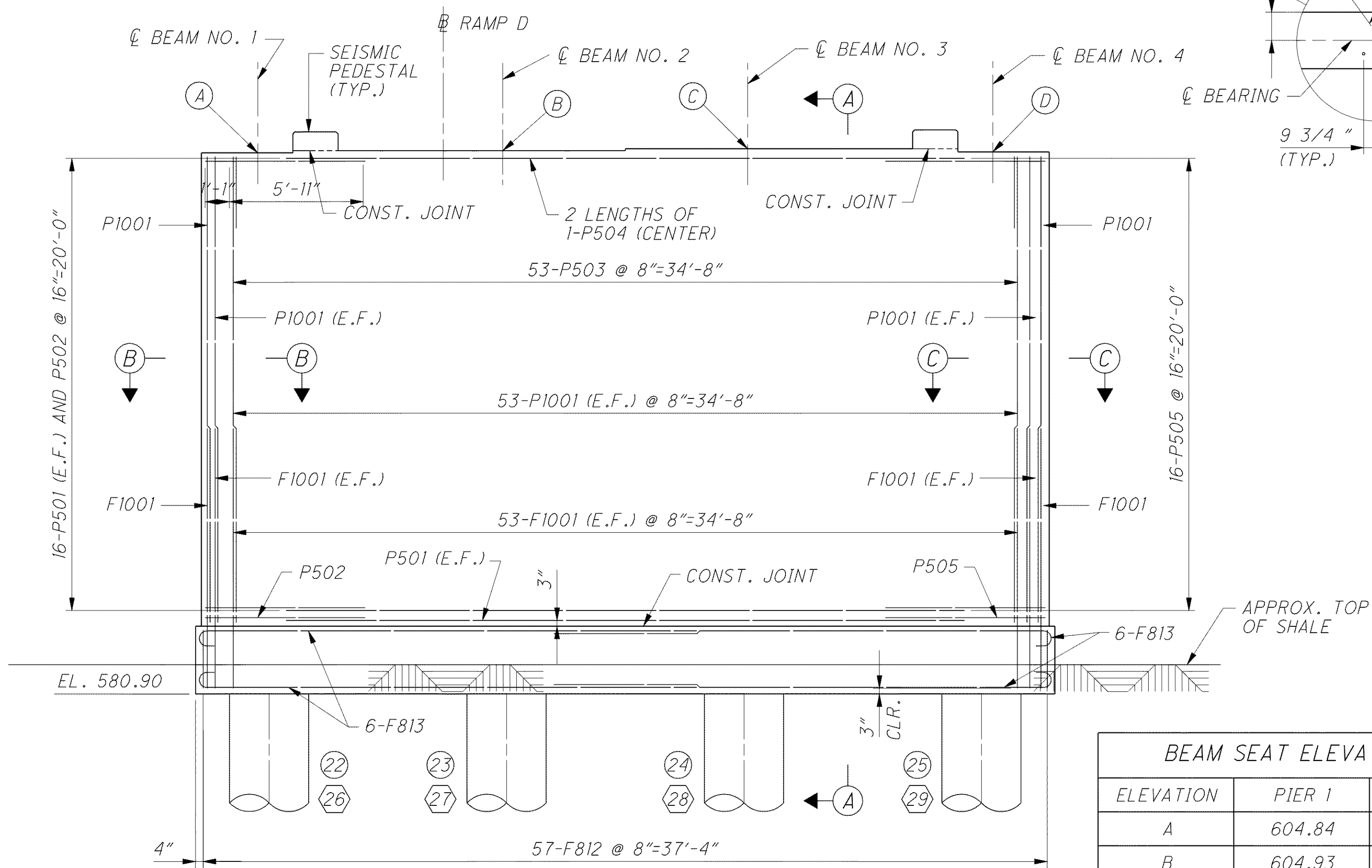
- - DRILLED SHAFT NUMBERS FOR PIER NO. 1
- ⬡ - DRILLED SHAFT NUMBERS FOR PIER NO. 2



- Δ - MEASURED PARALLEL TO CENTERLINE OF BEARING
- * - PLACE BAR PARALLEL TO CENTERLINE OF BEAM
- ** - PLACE BAR PARALLEL TO CENTERLINE OF BEARING

NOTES

1. ALL DIMENSIONS MEASURED ALONG CENTERLINE OF PIER UNLESS NOTED OTHERWISE.
2. MINIMUM BAR LAPS ARE AS FOLLOWS:
#5 BAR = 41" #8 BAR = 87" #10 BAR = 123"
3. FOR LEGEND OF ABBREVIATIONS SEE SHEET 3/28.
4. STEEL PLATE NOSING SHALL BE INCLUDED WITH ITEM 511, CLASS HP CONCRETE, SUBSTRUCTURE, AS PER PLAN FOR PAYMENT.
5. FOR BEARING DETAILS INCLUDING ANCHOR BOLTS SEE SHEET 14/28.
6. DRILLED SHAFT REINFORCEMENT SHALL BE INCLUDED WITH ITEM 524, DRILLED SHAFT FOR PAYMENT.
7. DO NOT APPLY SEALER TO THE CONCRETE SURFACES UNDER THE PROPOSED BEARING LOCATIONS.



ELEVATION
(PIER NO. 1 SHOWN, PIER NO. 2 SIMILAR)

BEAM SEAT ELEVATIONS		
ELEVATION	PIER 1	PIER 2
A	604.84	605.58
B	604.93	605.67
C	605.02	605.73
D	604.88	605.56

