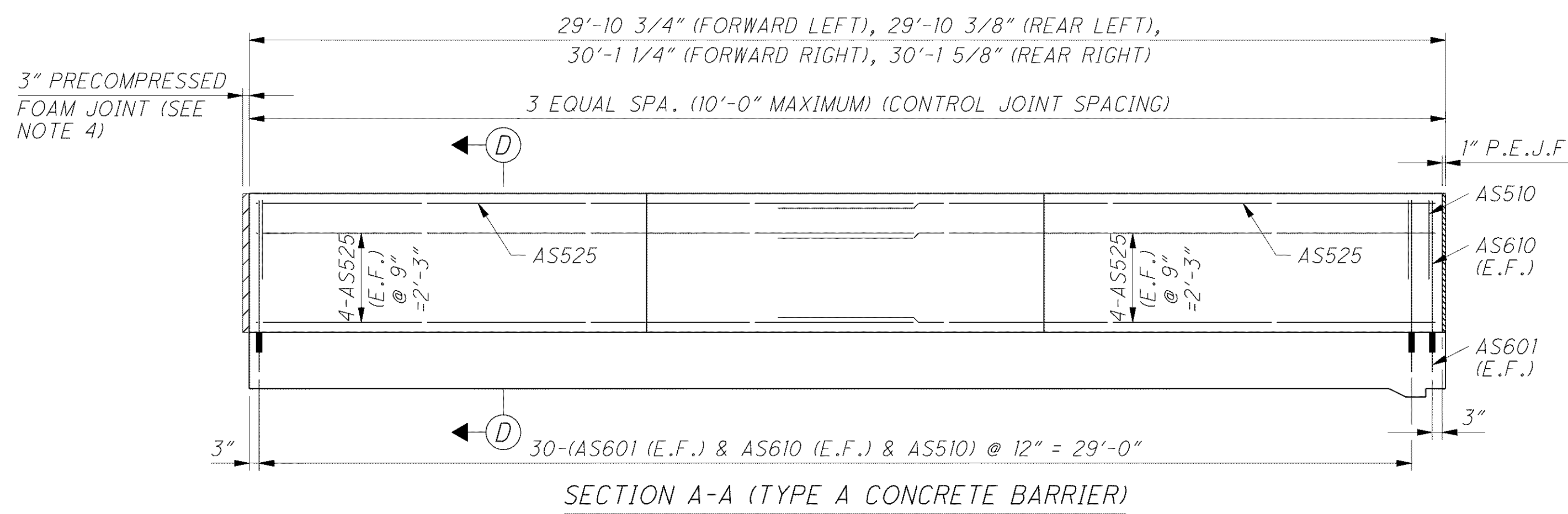
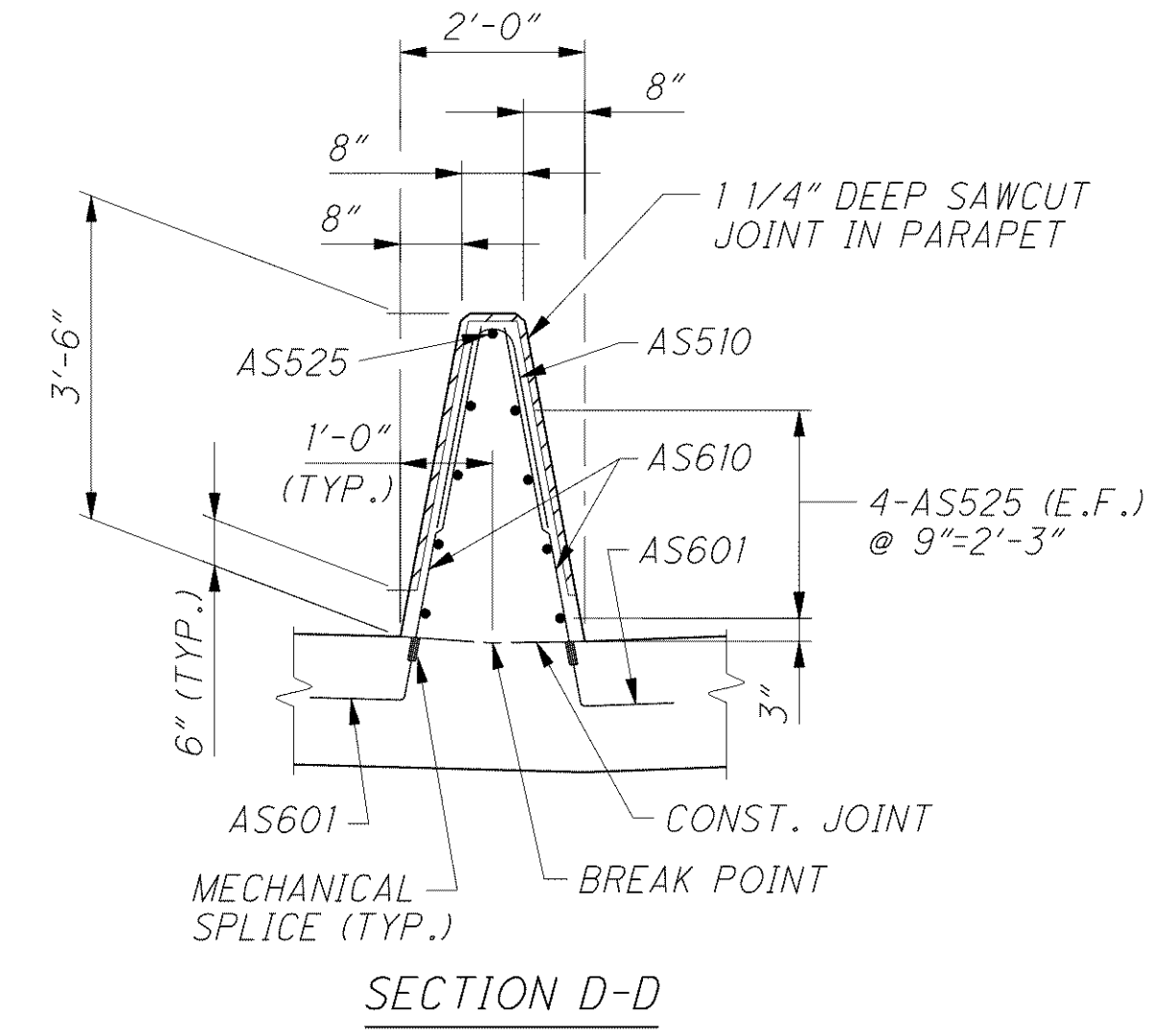
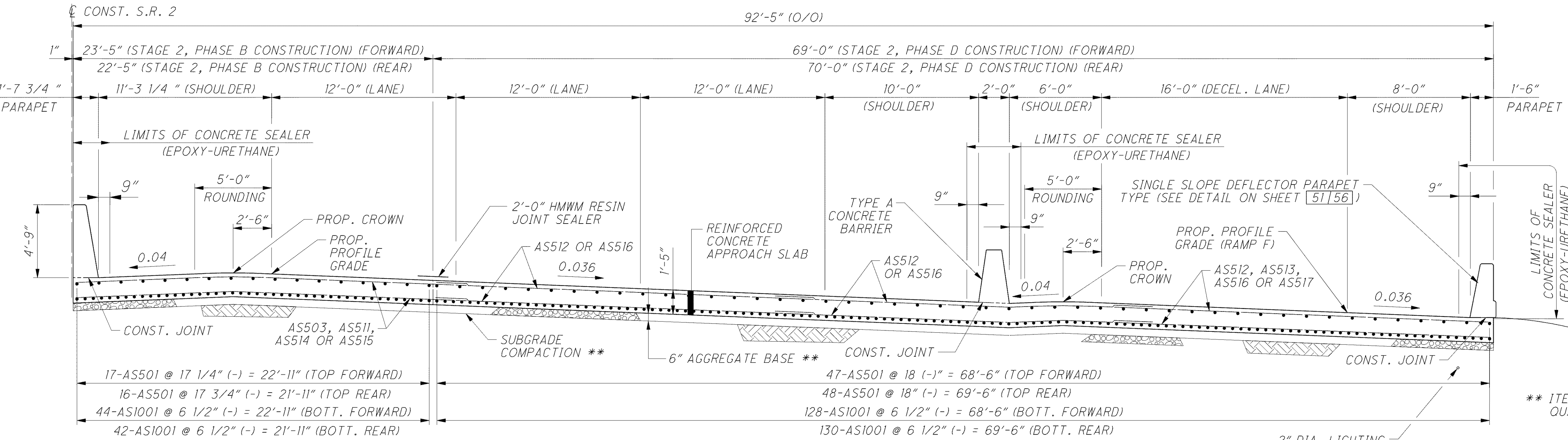
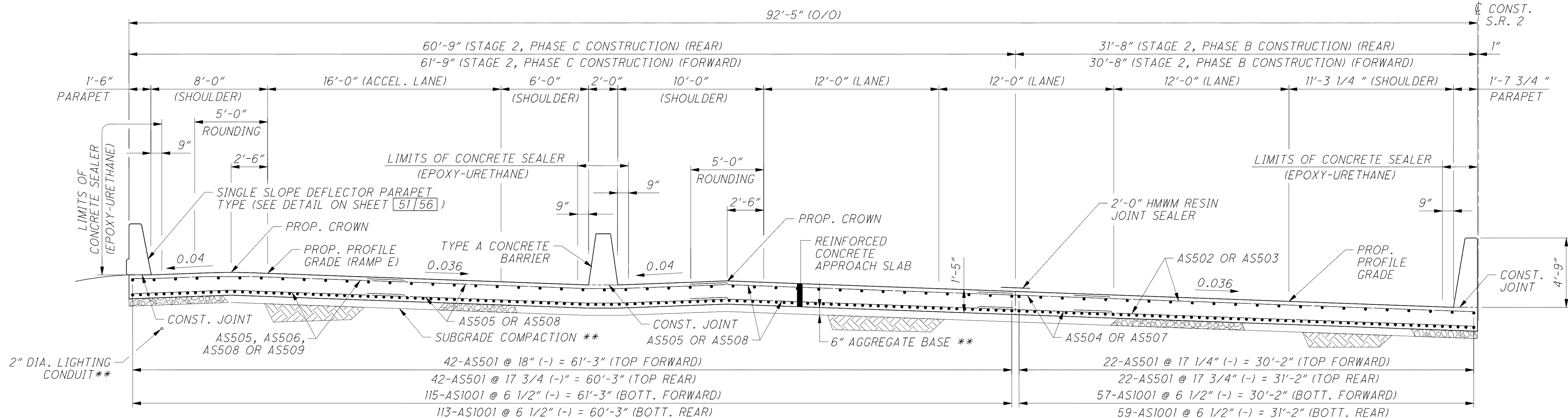


C:\Project\CV000048A001\Drawing\LAK\13486\bridge\LAK002_0530L_sheets\002_0530CMD003.dgn 6/24/2008 5:08:39 PM mbechter



** ITEM INCLUDED WITH ROADWAY QUANTITIES FOR PAYMENT.

NOTES

- MINIMUM BAR LAPS ARE AS FOLLOWS:
#5 BARS = 30"
- FOR ADDITIONAL NOTES AND DETAILS SEE SHEETS [48/56], [49/56] AND [51/56].
- FOR LEGEND OF ABBREVIATIONS SEE SHEET [4/56].
- THE 3" PRECOMPRESSED FOAM JOINT SHALL BE PLACED FROM THE BOTTOM OF THE APPROACH SLAB TO THE TOP OF BARRIER/PARAPET FOR THE FULL WIDTH OF THE BARRIER/PARAPET. THE COST SHALL BE INCLUDED WITH ITEM 526, REINFORCED CONCRETE, APPROACH SLABS, AS PER PLAN FOR PAYMENT. FOR 3" PRECOMPRESSED FOAM JOINT REQUIREMENTS, SEE SHEET [3/56].
- LONGITUDINAL CONSTRUCTION JOINTS IN THE DECK SLAB SHALL BE SEALED WITH HIGH MOLECULAR WEIGHT METHACRYLATE (HMWM). INCLUDE WITH ITEM 511, CLASS HP CONCRETE, BRIDGE DECK, AS PER PLAN, FOR PAYMENT.