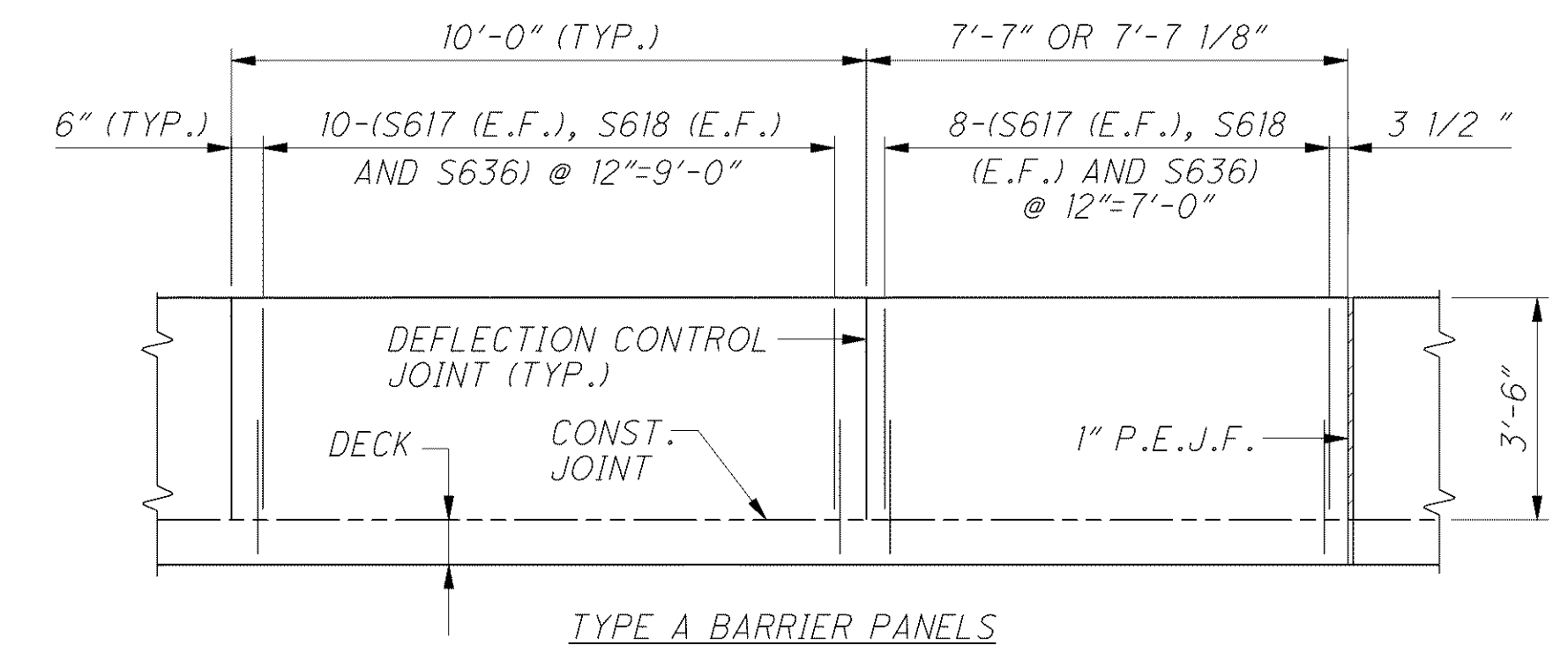
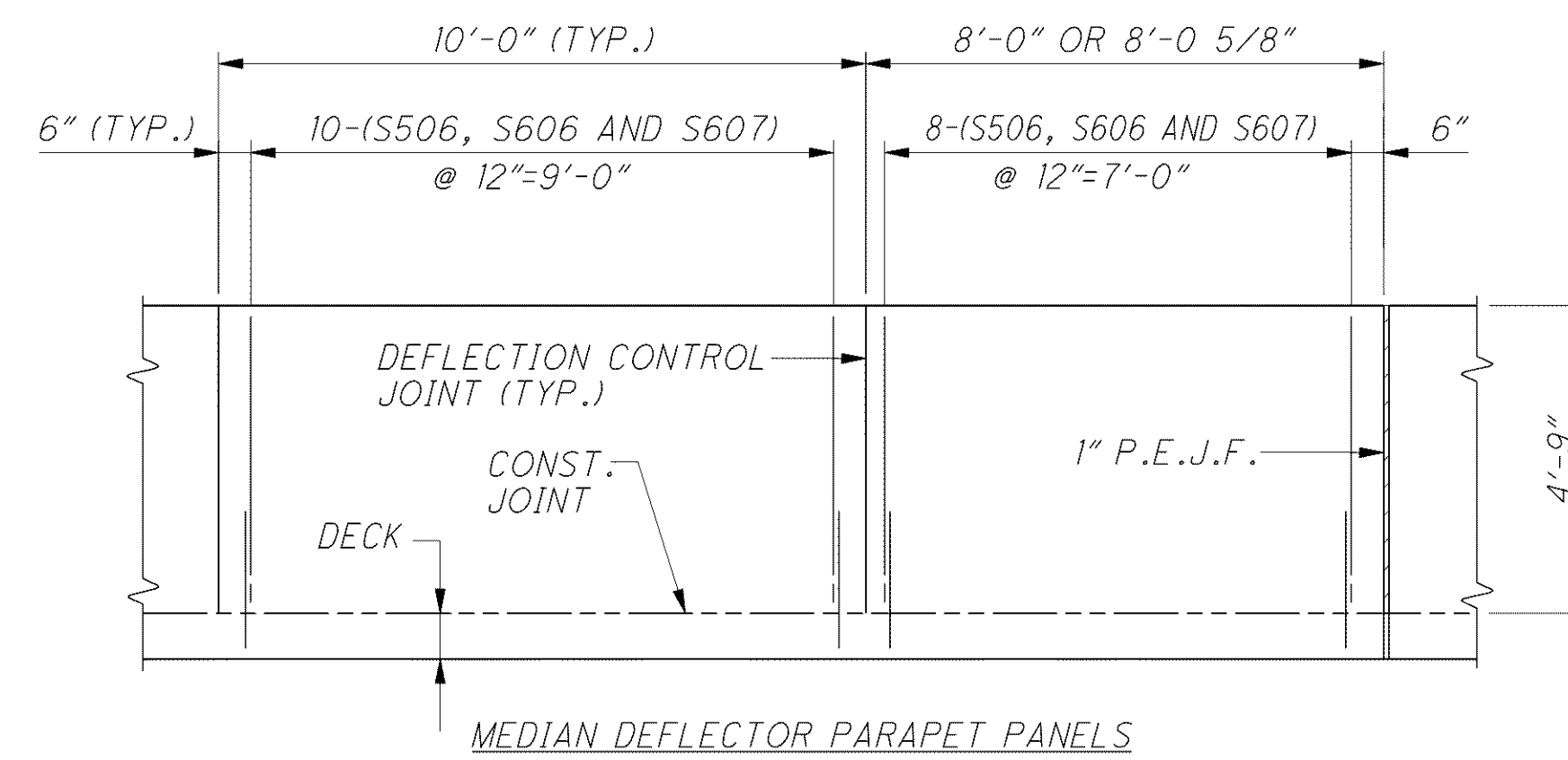
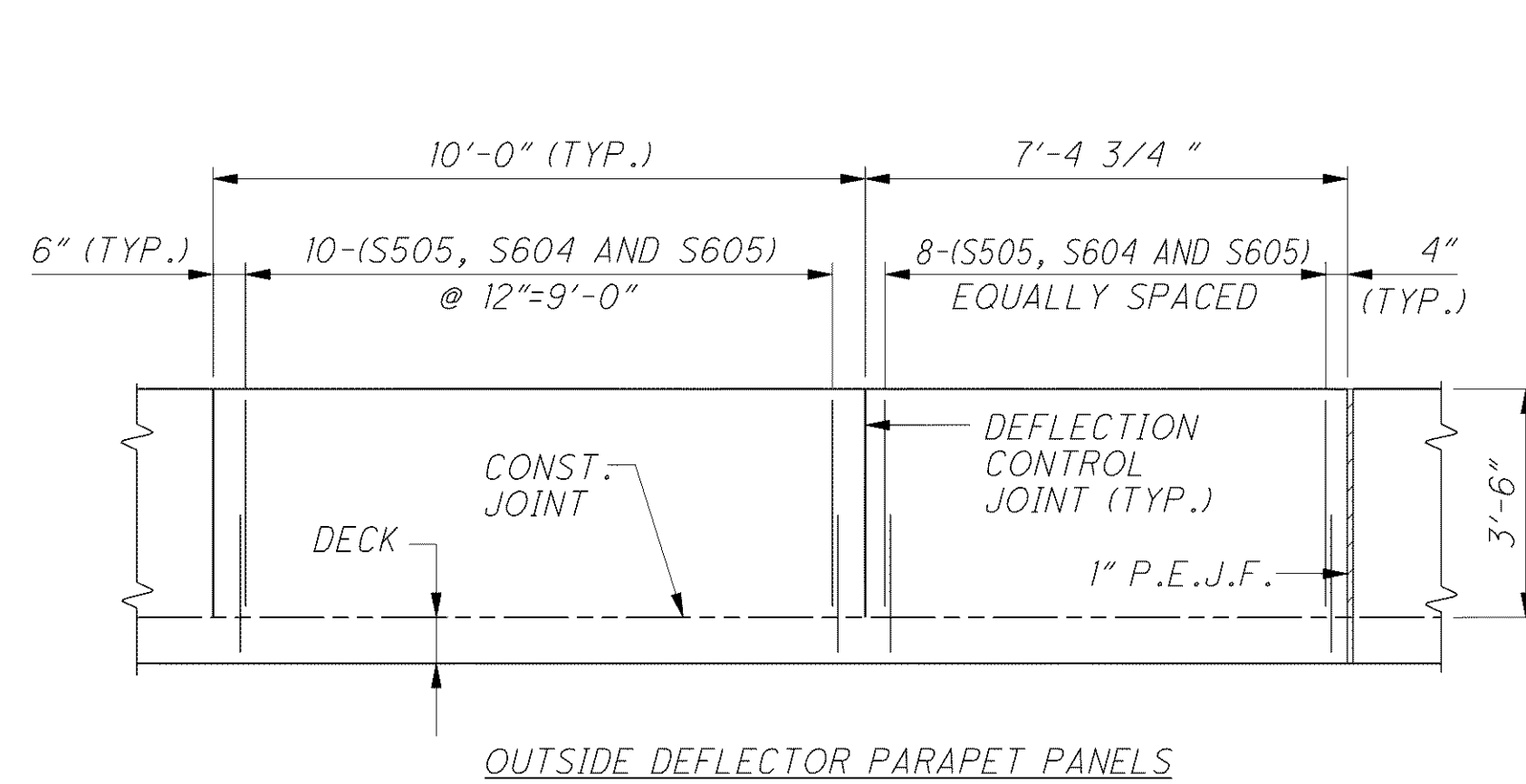
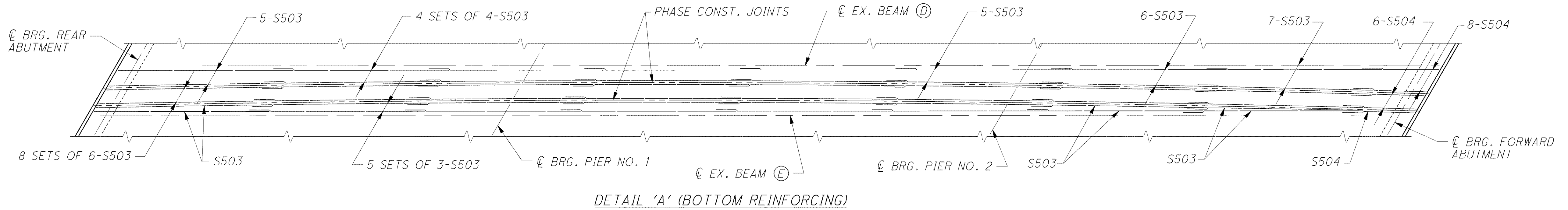
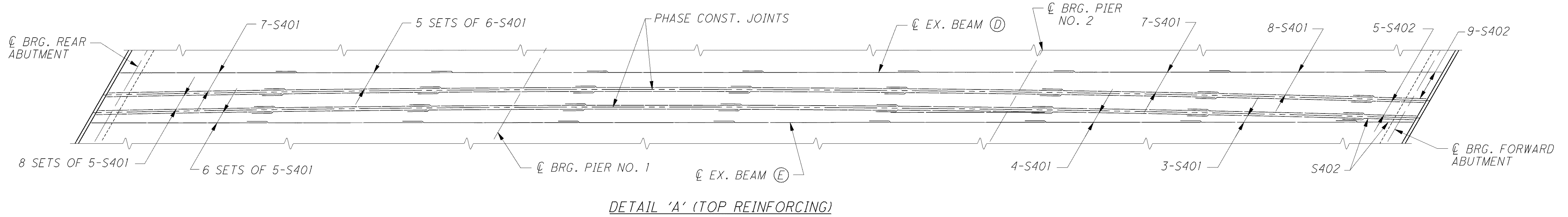
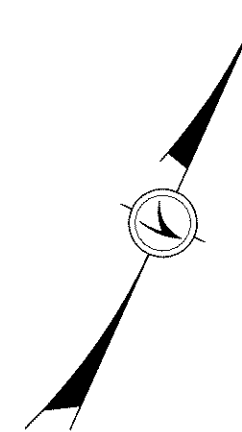
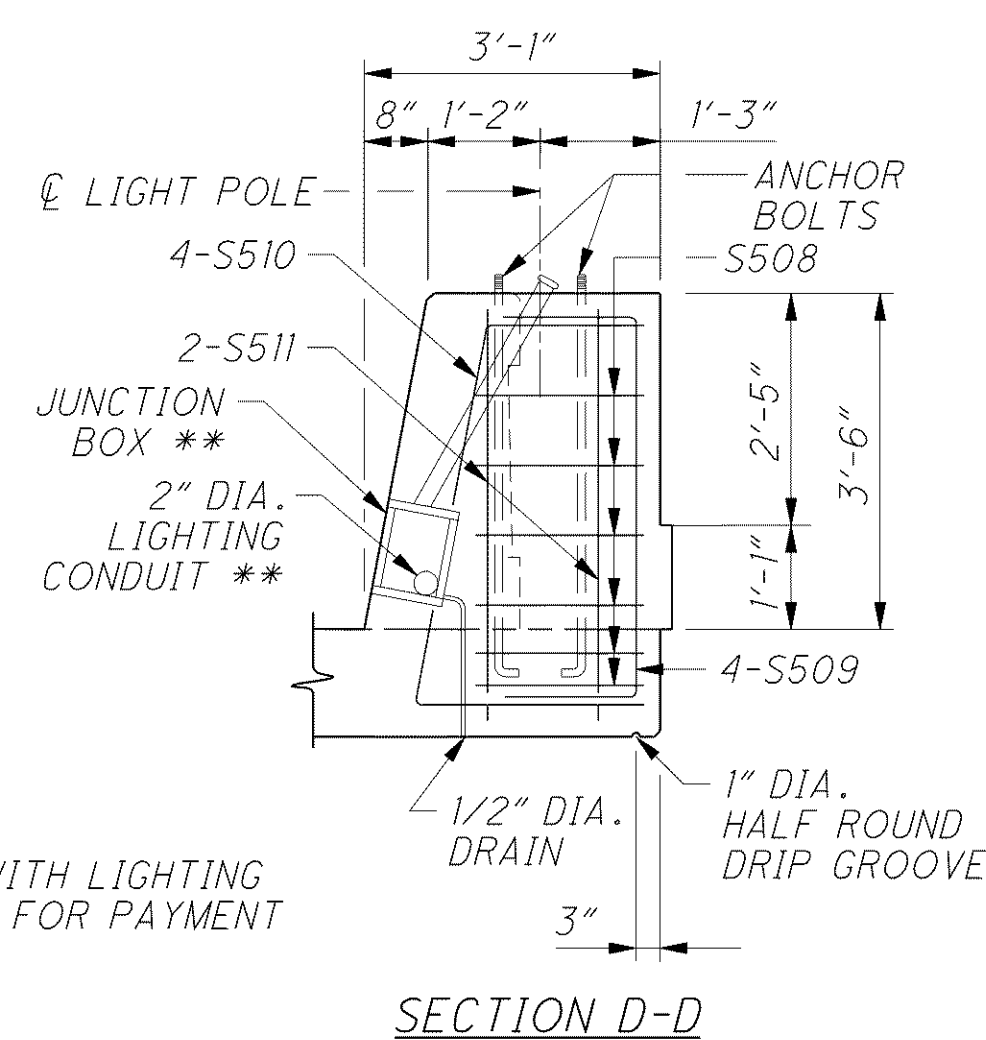
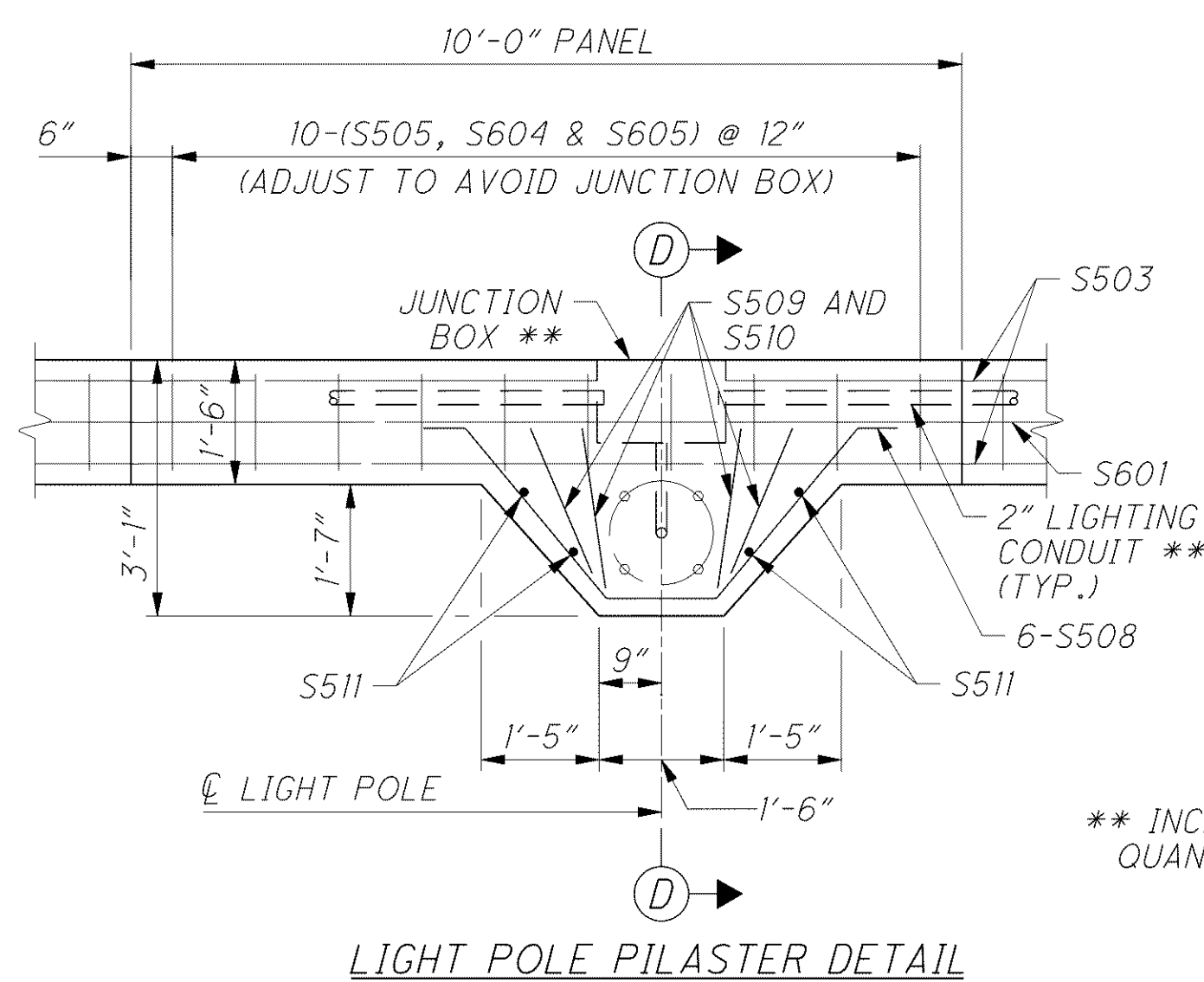


C:\Project\CV000048A001\Drawing\LAK\13486\bridge\LAK002_0530L\sheets\002_0530CDP002.dgn 6/24/2008 5:06:59 PM mbechter



PARAPET PANEL DETAILS
(HORIZONTAL REINFORCING NOT SHOWN)



** INCLUDE WITH LIGHTING QUANTITIES FOR PAYMENT

- NOTES
1. MINIMUM BAR LAPS:
#4 BARS = 31" #5 BARS = 38" #6 BARS = 46" #8 BARS = 87"
 2. FOR LEFT STRUCTURE FRAMING PLAN SEE SHEET 29 | 56 .
 3. FOR LEFT STRUCTURE SLAB PLAN SEE SHEET 42 | 56 .
 4. FOR LEFT STRUCTURE TRANSVERSE SECTION SEE SHEET 40 | 56 .
 5. DECK OVERHANG DIMENSIONS TAKEN PERPENDICULAR TO FASCIA BEAMS.
 6. FOR LEGEND OF ABBREVIATIONS SEE SHEET 4 | 56 .

LOCATION		DECK OVERHANG TABLE (SEE NOTE 5) (ALL DIMENSIONS ARE ±)													
		SPAN NO. 1				SPAN NO. 2				SPAN NO. 3					
		R.A.	1/4 PT.	1/2 PT.	3/4 PT.	P.I.	1/4 PT.	1/2 PT.	3/4 PT.	P.2.	1/4 PT.	1/2 PT.	3/4 PT.	F.A.	
LEFT	BEAM 1	1'-11 3/4"	2'-4 1/4"	2'-7 3/4"	2'-10 3/4"	3'-1"	3'-2 3/4"	3'-3 1/2"	3'-3"	3'-1 1/4"	2'-11 1/4"	2'-8 1/4"	2'-4 3/4"	2'-0 1/4"	
	BEAM 5	2'-6"	2'-1 1/2"	1'-10"	1'-7 1/4"	1'-5"	1'-3 1/2"	1'-3 1/4"	1'-4"	1'-6"	1'-8 1/2"	1'-11 3/4"	2'-3 3/4"	2'-8 1/2"	
RIGHT	BEAM 6	1'-7 1/2"	2'-0"	2'-3 3/4"	2'-6 3/4"	2'-9"	2'-10 1/2"	2'-11"	2'-10 1/4"	2'-8 1/2"	2'-6 1/4"	2'-3"	1'-11 1/4"	1'-6 1/2"	
	BEAM 12	3'-6"	3'-1 1/4"	2'-9 1/2"	2'-6 1/4"	2'-4"	2'-2"	2'-1 1/2"	2'-2"	2'-4"	2'-6 1/4"	2'-9 1/2"	3'-1 1/4"	3'-6"	