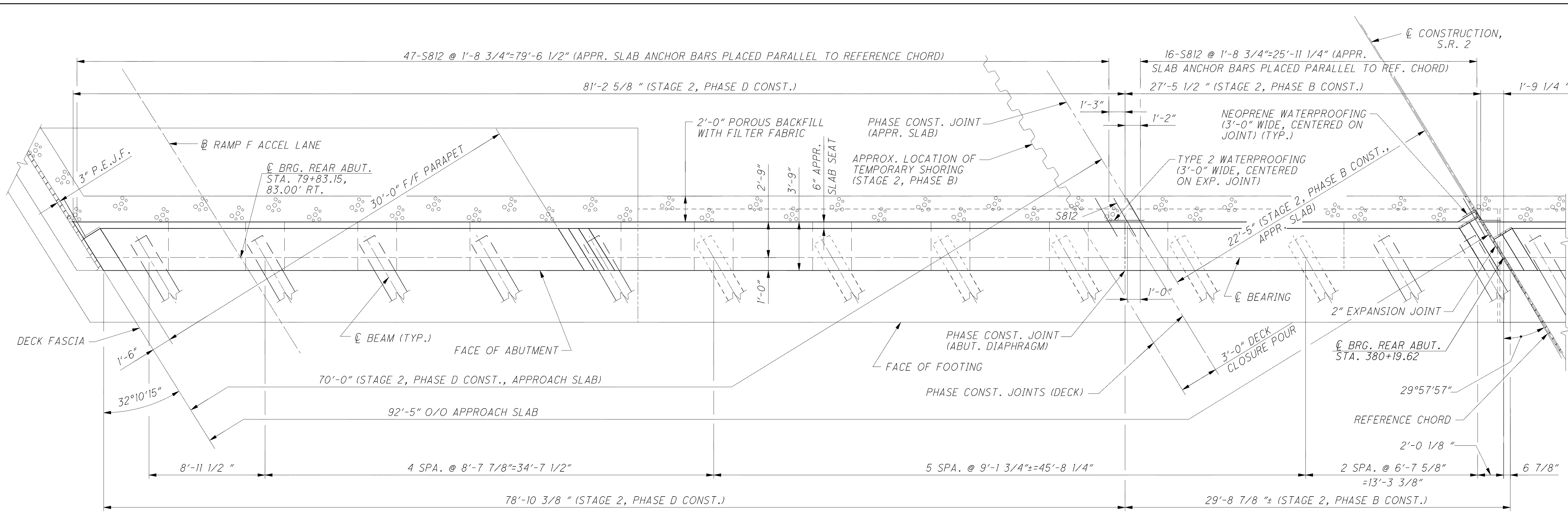


C:\Project\CV000048A001\Drawing\LAK\13486\bridge\LAK002\_0530L\sheets\002\_0530CSD006.dgn 6/24/2008 5:12:44 PM mbechter

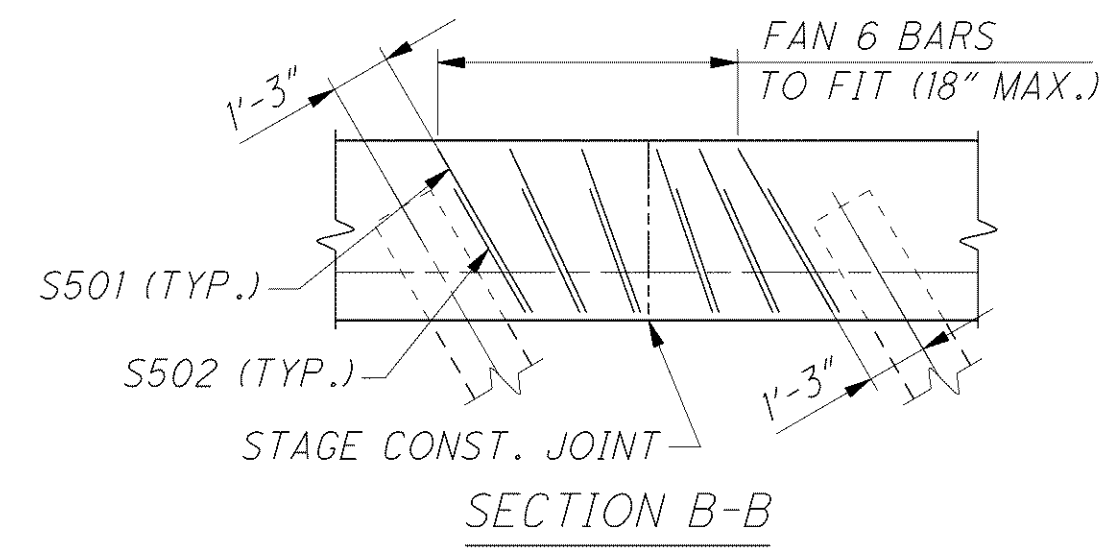


PLAN (RIGHT STRUCTURE)

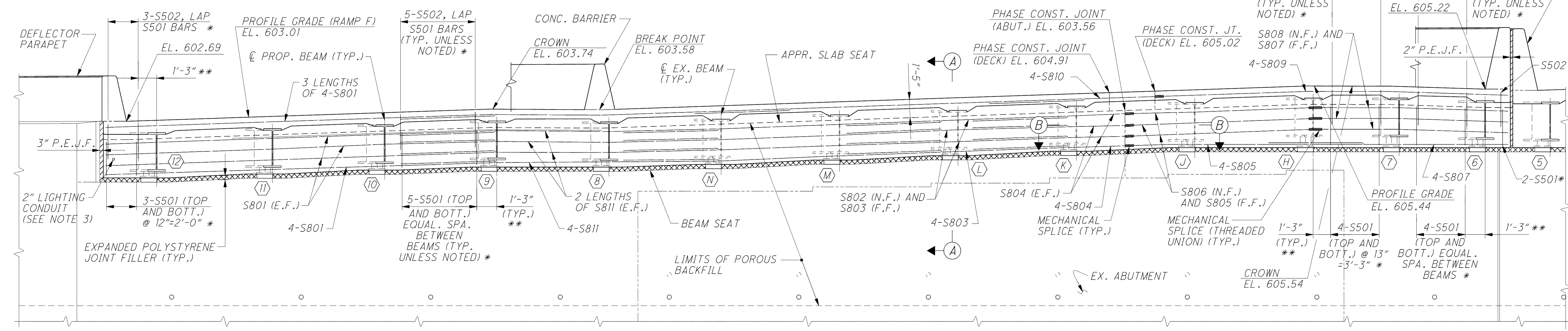
NOTES

- ELEVATIONS ARE TAKEN AT THE CENTERLINE OF THE ABUTMENT BEARINGS.
- FOR SECTION A-A AND ADDITIONAL ABUTMENT DIAPHRAGM DETAILS AND NOTES SEE SHEETS 35/56, 37/56, 38/56 AND 39/56.
- LIGHTING CONDUIT SHALL BE INCLUDED WITH LIGHTING QUANTITIES FOR PAYMENT.

- \* REINFORCEMENT TO BE PLACED PARALLEL WITH THE CENTERLINE OF THE BEAMS.
- \*\* DIMENSIONS TAKEN PERPENDICULAR TO CENTERLINE OF BEAM.



SECTION B-B



ELEVATION (RIGHT STRUCTURE)

DESIGN AGENCY: **ARCADIS**  
 ARCADIS U.S., INC.  
 100 Superior Avenue, Suite 1250 Cleveland, Ohio 44114  
 Tel: 216-781-6777 Fax: 216-781-6243 www.arcadis-us.com

DATE	12/07
REVIEWED	RBB
STRUCTURE FILE NUMBER	4300750 (L)
DESIGNED	FJG
CHECKED	RHC
DRAWN	CAF
REVISED	
DESIGNED BY	RHC
REVIEWED BY	
DRAWN BY	CAF
REVISED BY	

BRIDGE NO. LAK-2-0530 L&R  
 STATE ROUTE 2 OVER CHAGRIN RIVER

LAK-2-3.32  
 PID 13486

36/56

1498  
 1679