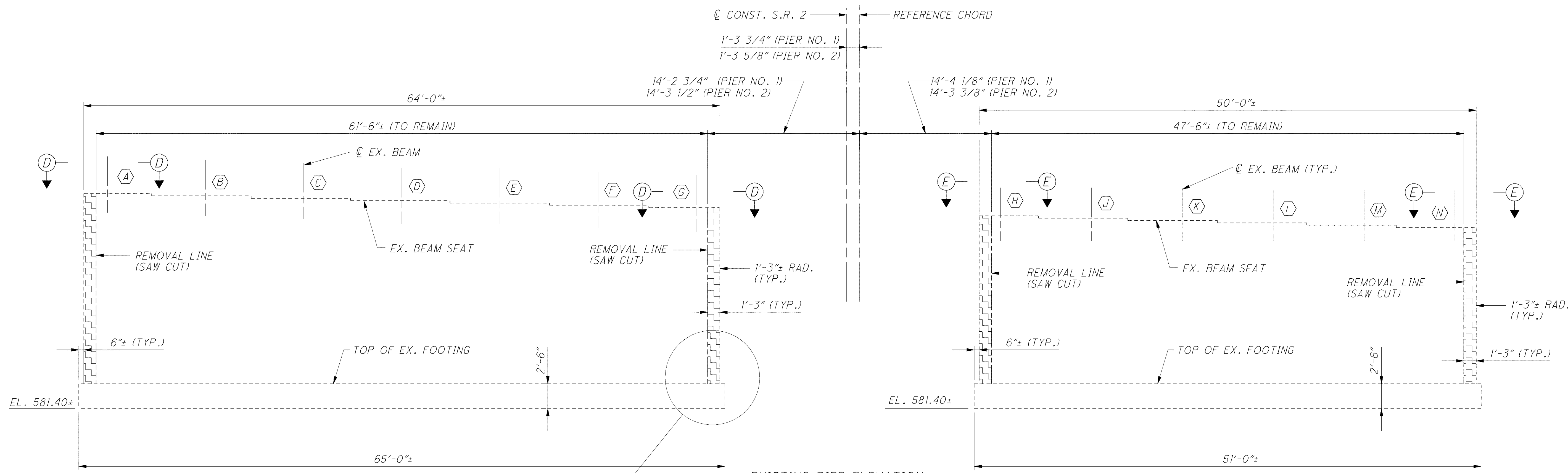


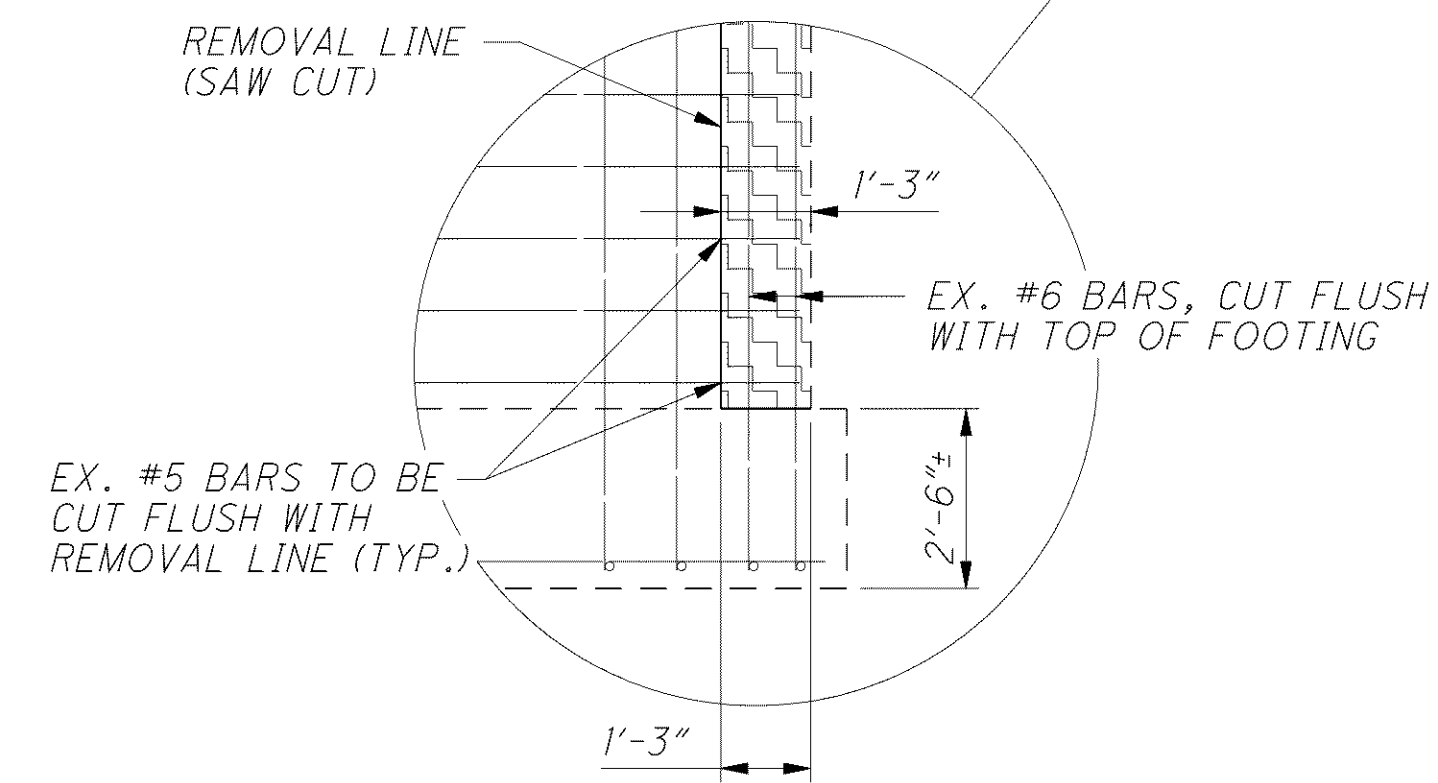
C:\Project\CV000048A001\Drawing\LAK\13486\bridge\LAK002_0530L_sheets\002_0530CRE004.dgn 6/24/2008 5:11:31 PM mbechter



EXISTING PIER ELEVATION
(PIER NO. 1 SHOWN, PIER NO. 2 SIMILAR)

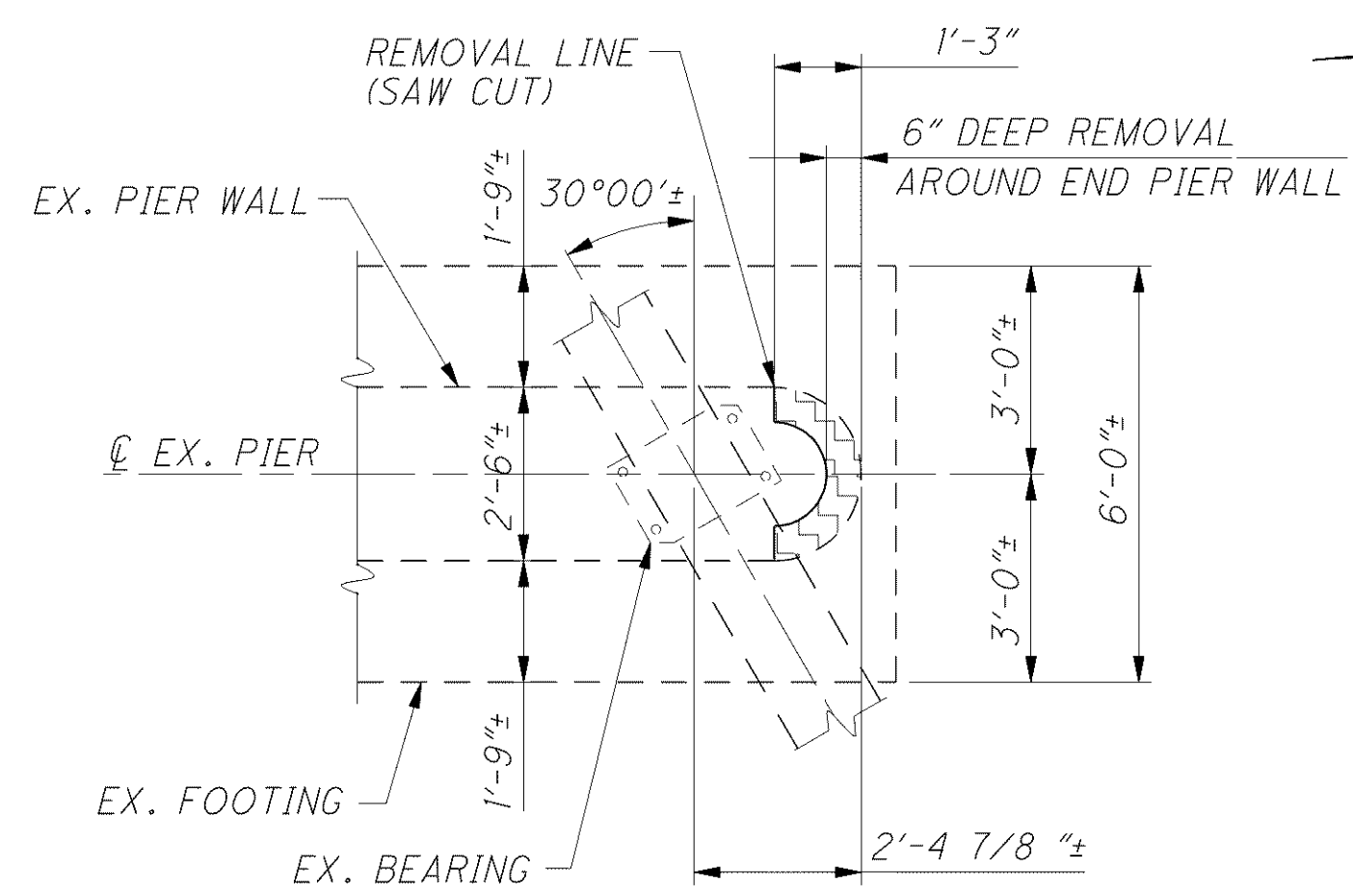
LEGEND

PORTIONS OF EXISTING STRUCTURE TO BE REMOVED, STAGE 1

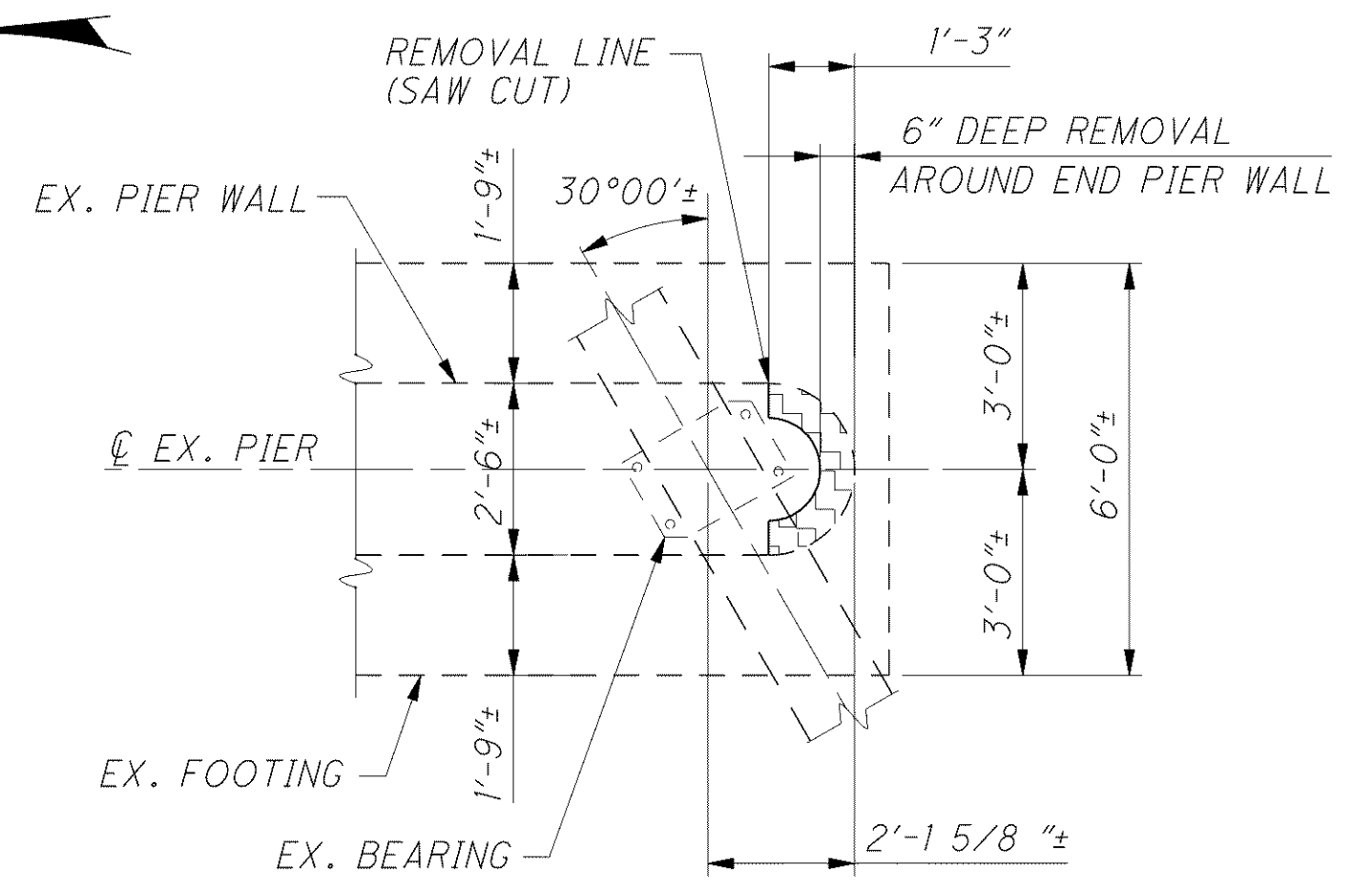
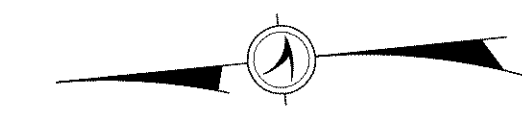


NOTES

1. FOR LEGEND OF ABBREVIATIONS SEE SHEET 4 | 56.
2. ALL DIMENSIONS ARE MEASURED ALONG CENTERLINE OF PIER.
3. SEE CENTERLINE SCHEMATIC PLAN ON SHEET 3 | 56.
4. FOR STAGE CONSTRUCTION DETAILS SEE SHEETS 6 | 56 THRU 8 | 56.
5. FOR ADDITIONAL REMOVAL DETAILS SEE SHEETS 11 | 56 THRU 13 | 56.



SECTION D-D
(RIGHT SIDE SHOWN LEFT SIDE SIMILAR)



SECTION E-E
(RIGHT SIDE SHOWN LEFT SIDE SIMILAR)

<p>DESIGN AGENCY ARCADIS ARCADIS C&M of Ohio, Inc. 100 Superior Avenue, Suite 1250 Cleveland, Ohio 44114 Tel: 216-781-6177 Fax: 216-781-6245 www.arcadis-us.com</p>	<p>DATE 12/07</p>	<p>REVIEWED RBB</p>	<p>STRUCTURE FILE NUMBER 4300750 (L) 4300785 (R)</p>	<p>DRAWN CAF</p>	<p>DESIGNED F JG</p>	<p>CHECKED MVD</p>
<p>REMOVAL DETAILS BRIDGE NO. LAK-2-0530 L&R STATE ROUTE 2 OVER CHAGRIN RIVER</p>						
<p>LAK-2-3.32 PID 13486</p>						
<p>14 / 56</p>						
<p>1476 1679</p>						