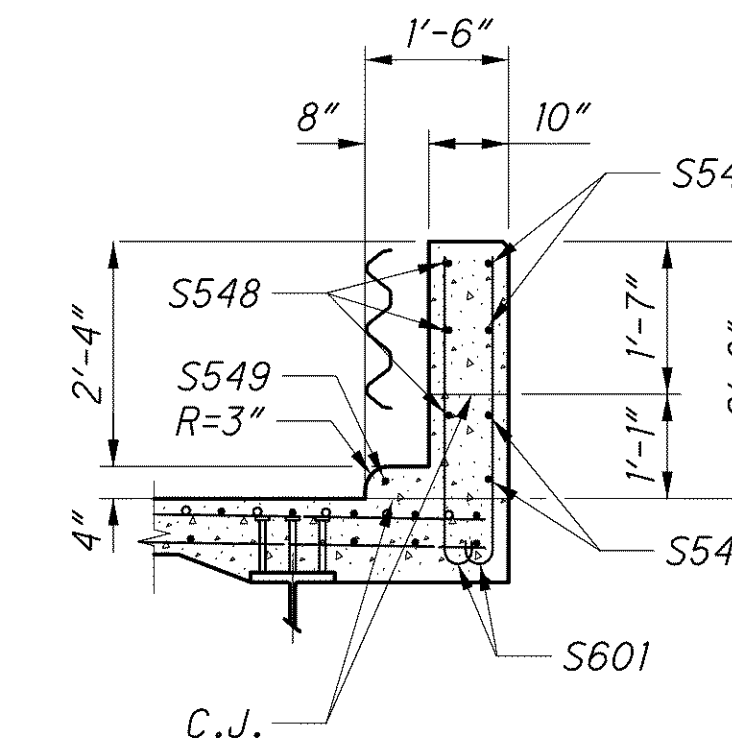
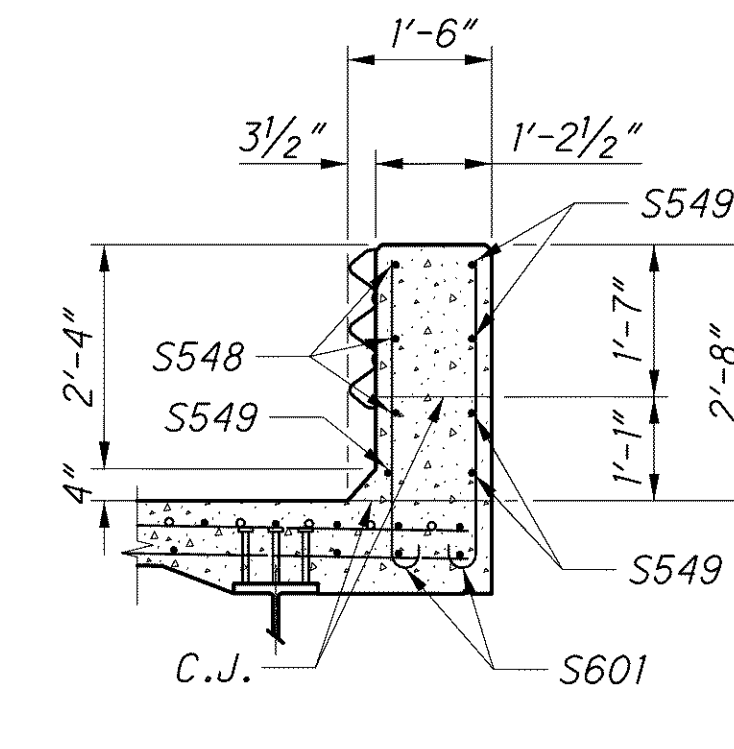


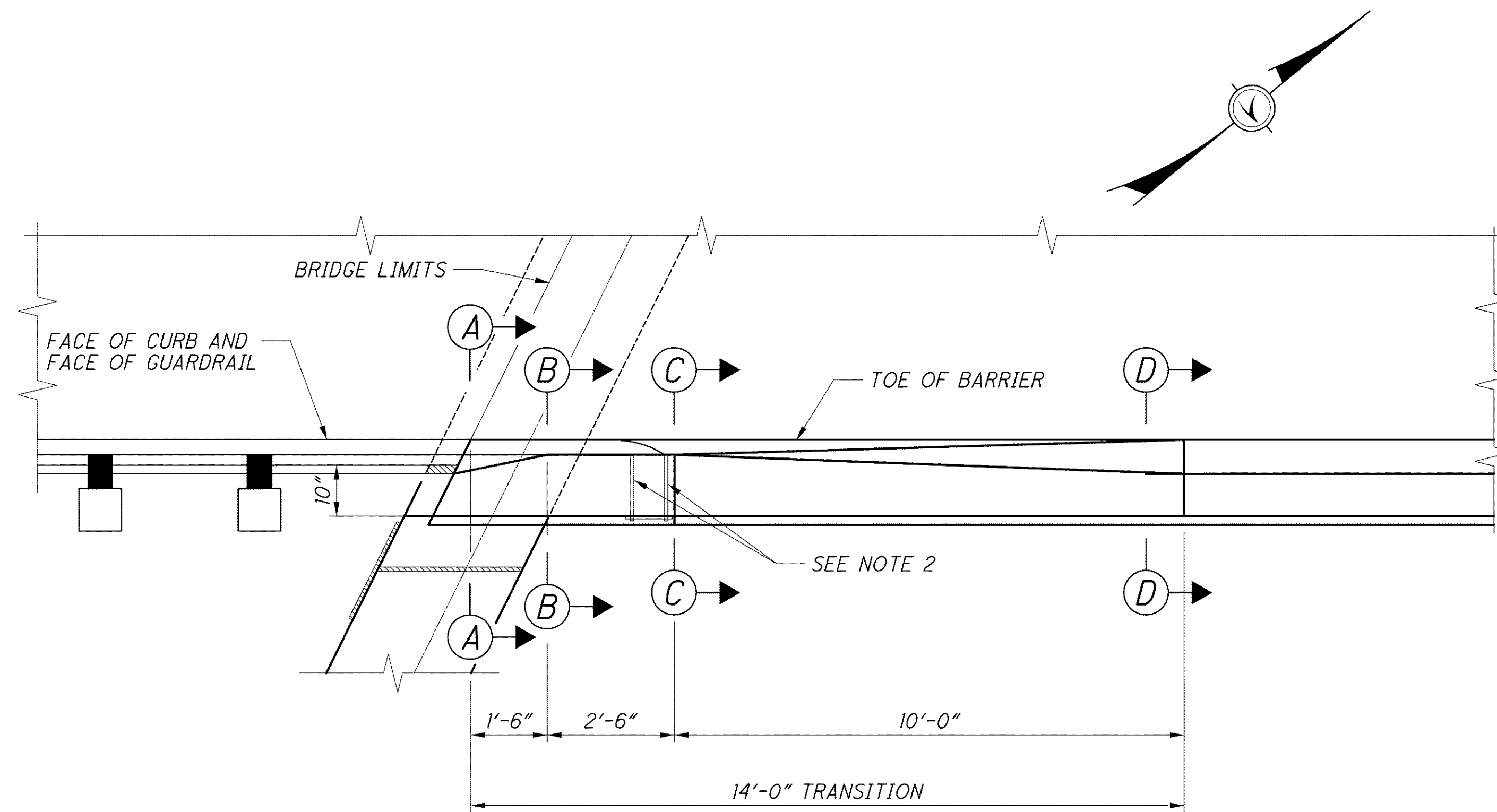
**PARAPET ELEVATION**  
INSIDE FACE SHOWN



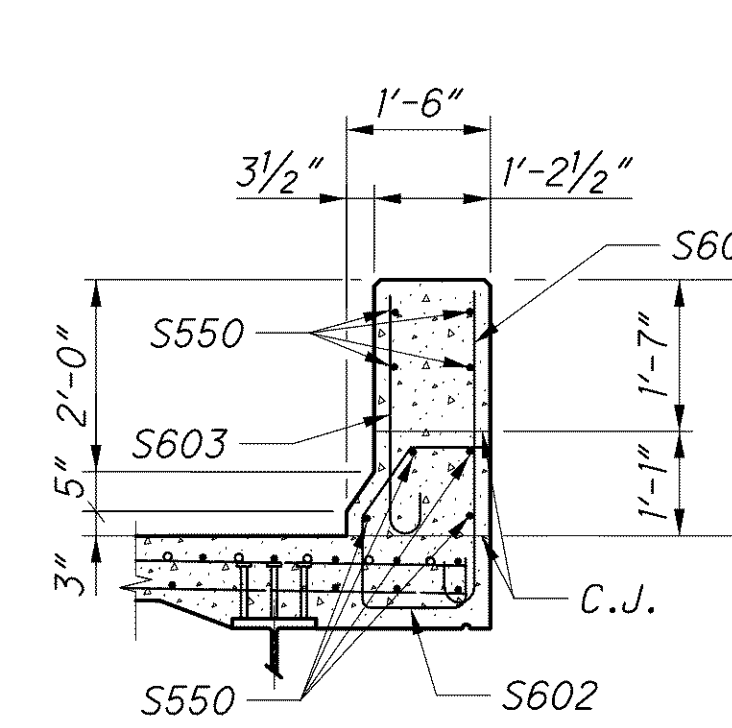
**SECTION A-A**



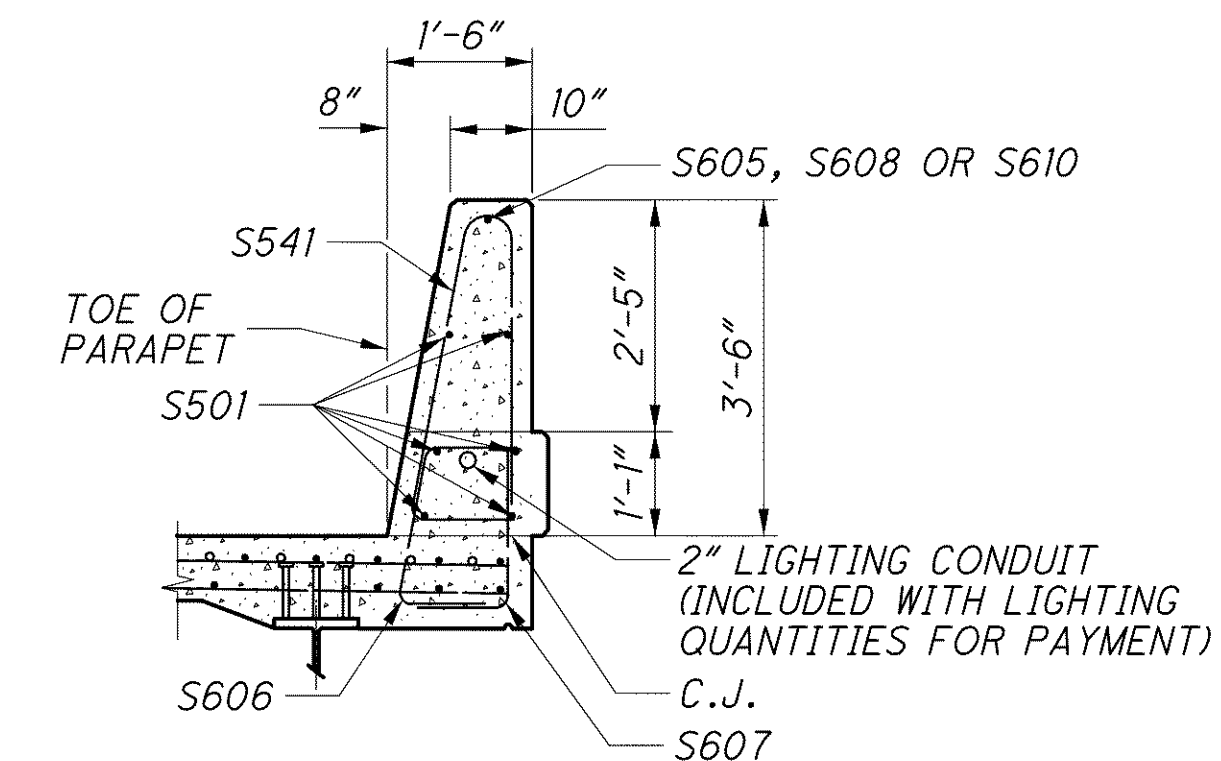
**SECTION B-B**



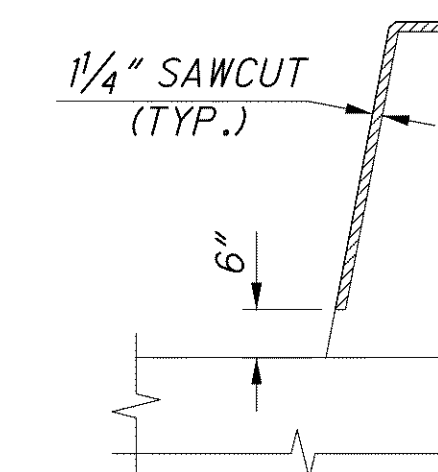
**PART PLAN AT ABUTMENT**  
EASTBOUND REAR ABUTMENT SHOWN  
EASTBOUND FORWARD ABUTMENT SIMILAR



**SECTION C-C**



**SECTION D-D**



**DETAIL A**  
(SECTION THROUGH SAWCUT)  
SAWCUT PERIMETER = 7'-6"

**NOTE:**  
1. FOR LIST OF ABBREVIATIONS SEE SHEET [4/70].  
2. 7/8" DIAMETER ASTM A 325 THROUGH BOLTS (LENGTH TO BE DETERMINED IN FIELD IN ACCORDANCE WITH PARAPET WIDTH) INTO BEARING PLATE WITH STANDARD WASHERS AND HEX NUTS.

j:\LAK\13486\bridge\LAK002\_0486c\sheets\002\_0486CRA003.dgn 03-JUL-2008 1:48PM lintn

DESIGNED	P.J.L.	CHECKED	EBS
DRAWN	B.K.J.	REVISED	
REVIEWED	R.J.O.	STRUCTURE FILE NUMBER	4300696 (L) 4300726 (R)
DATE	6-19-08		