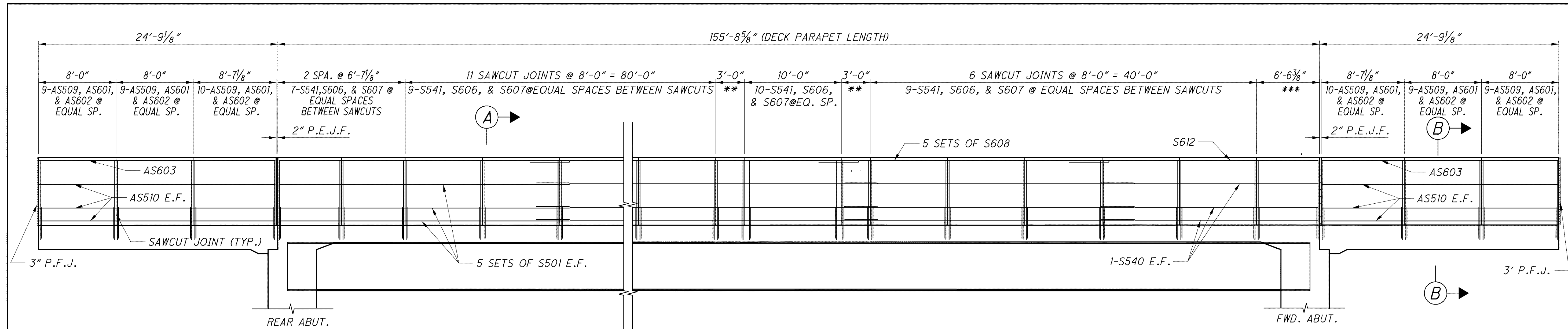


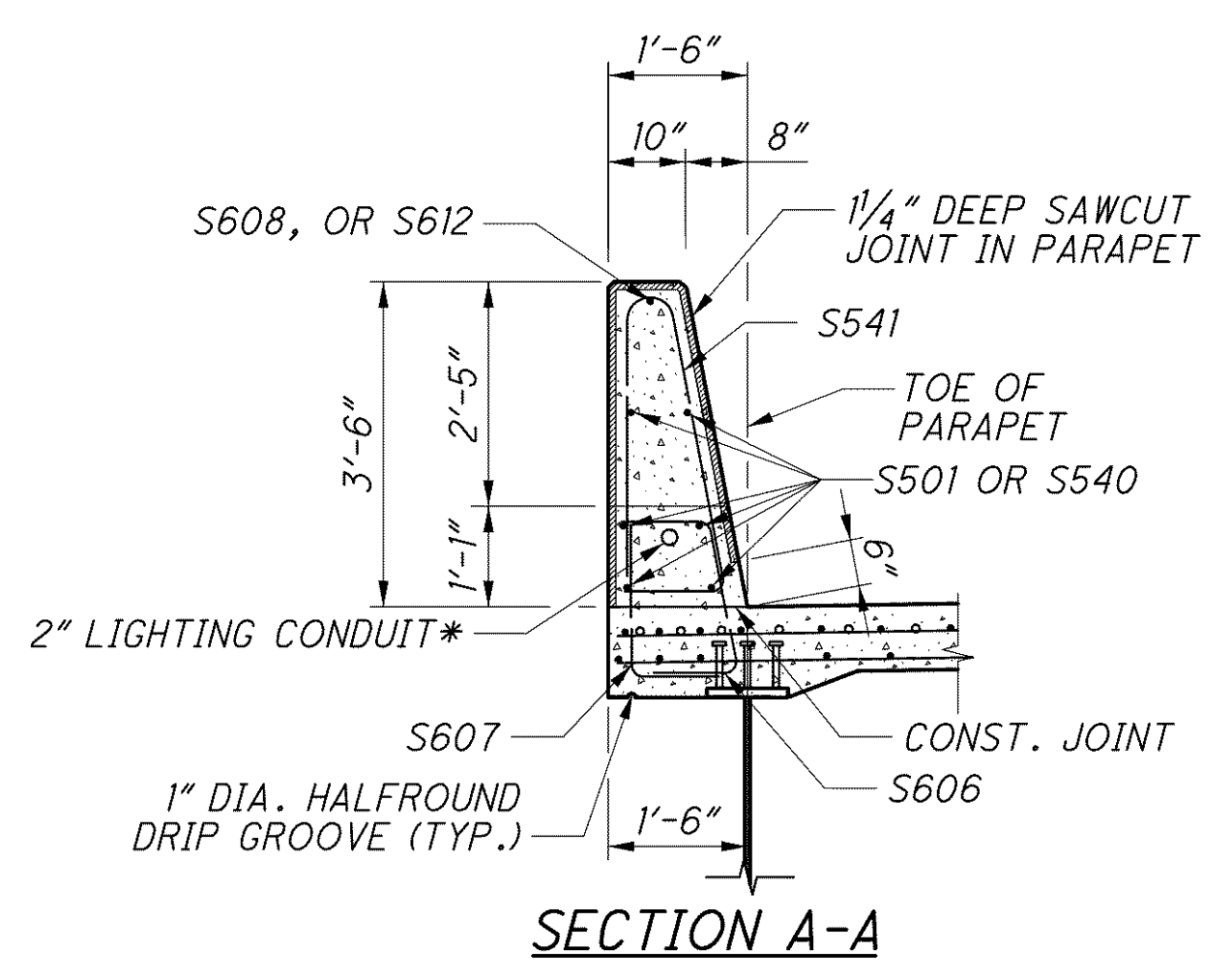
j:\LAK\13486\bridge\LAK002_0486\c\sheets\002_0486CRA001.dgn 03-JUL-2008 1:48PM Intn



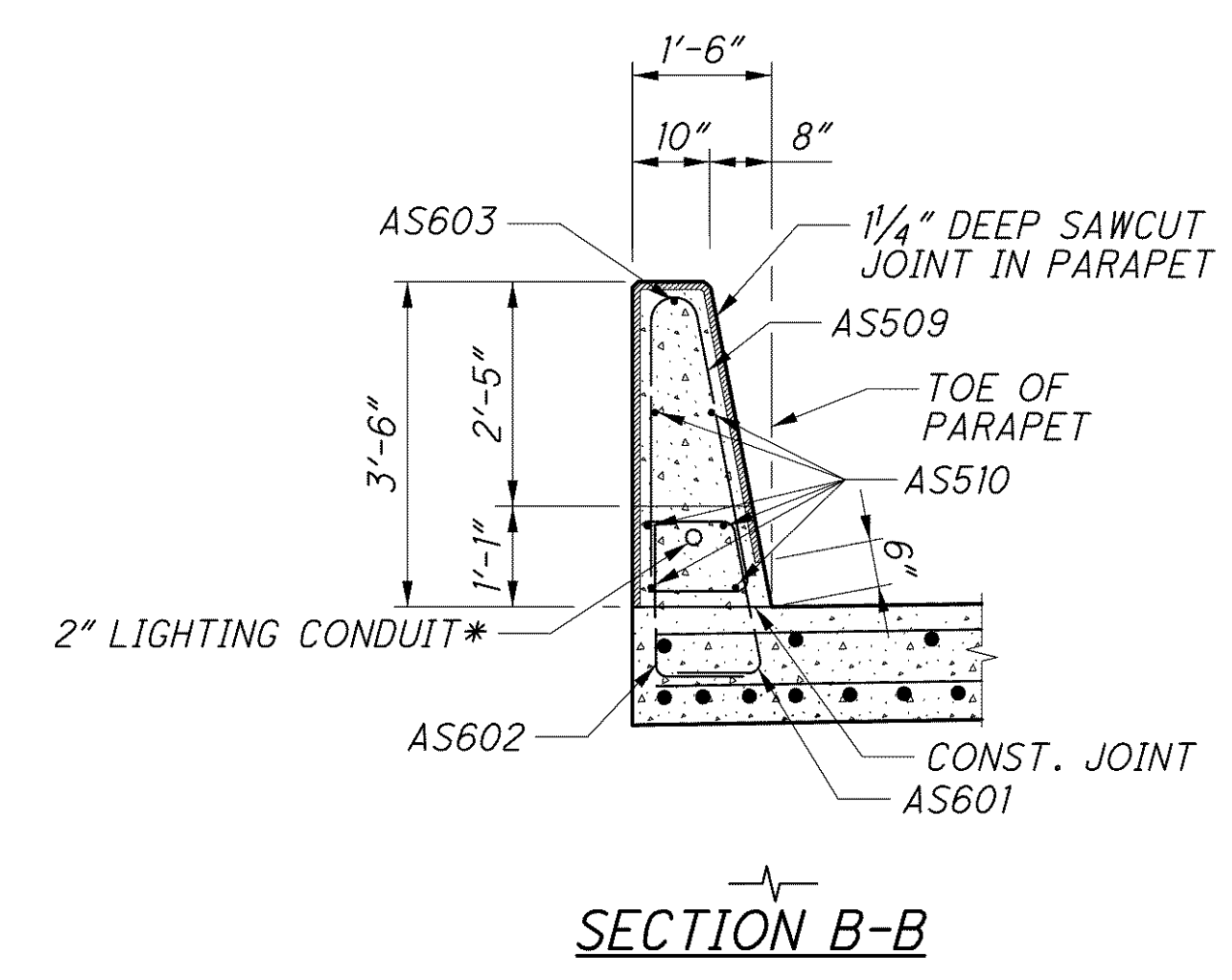
NOTE:
 1. LONGITUDINAL DIMENSIONS ARE MEASURED ALONG THE INSIDE FACE OF PARAPET
 2. FOR LIST OF ABBREVIATIONS SEE SHEET 4/70.

* - INCLUDED IN LIGHTING QUANTITIES FOR PAYMENT
 ** - 4-S541, S606, & S607 @ EQUAL SPACES
 *** - 7-S541, S606, & S607 @ EQUAL SPACES

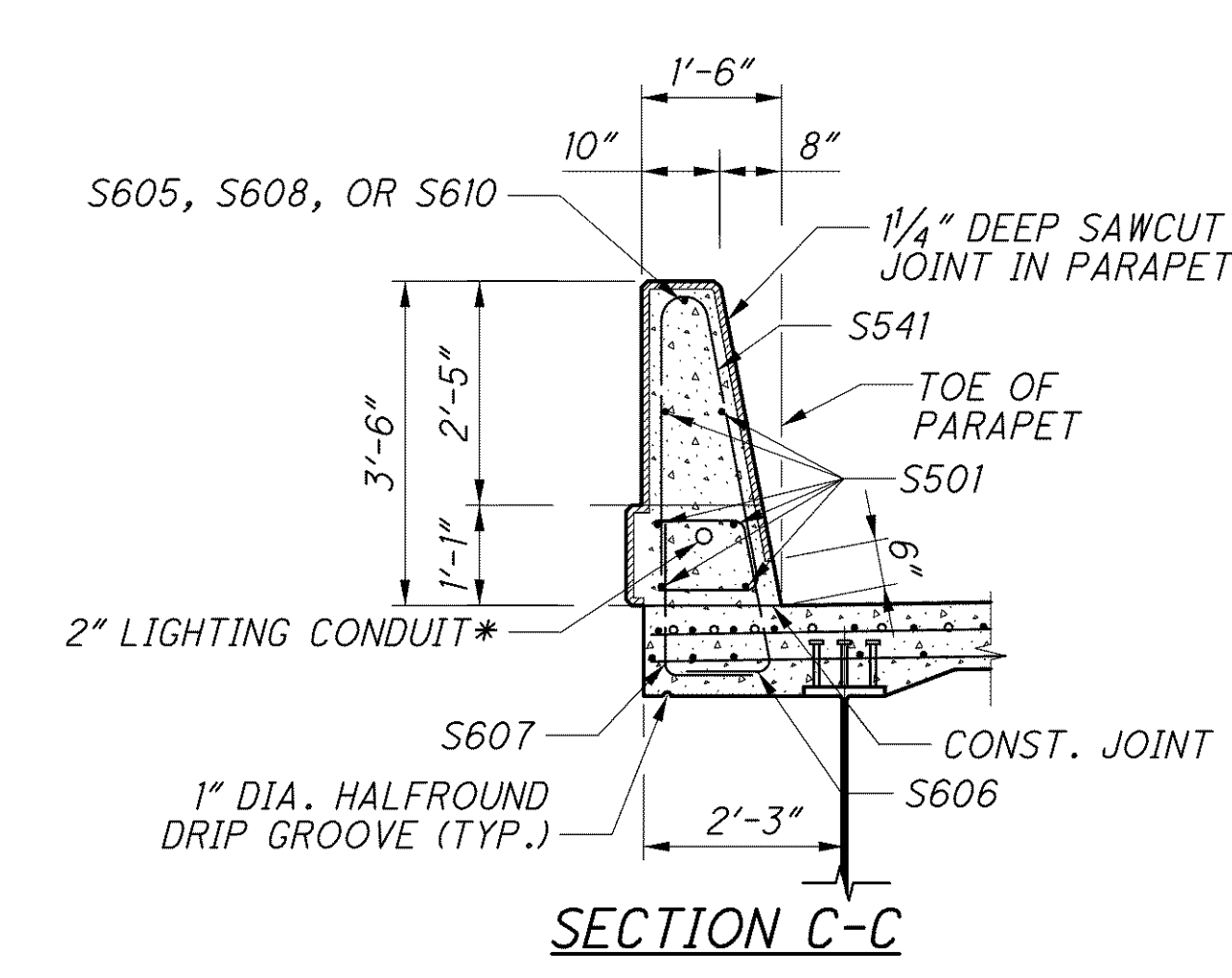
WESTBOUND OUTSIDE PARAPET ELEVATION



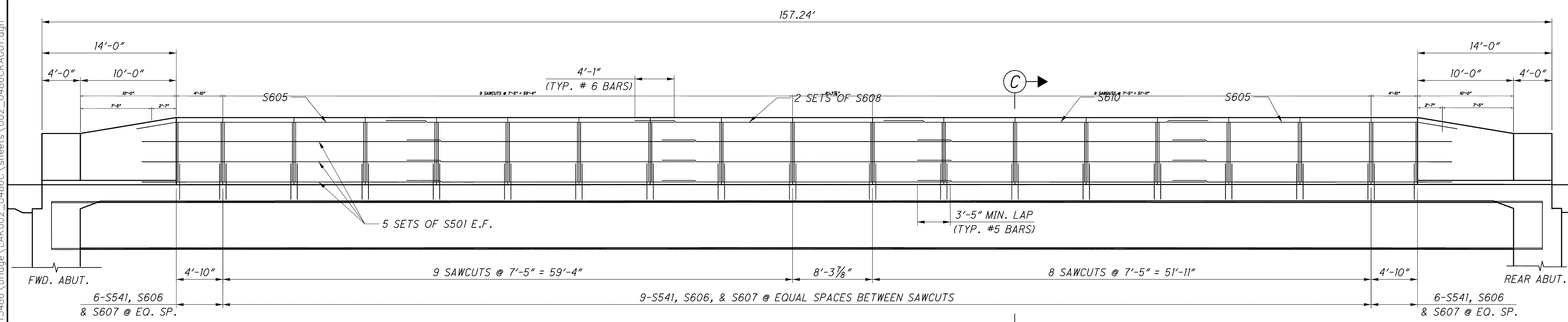
SECTION A-A



SECTION B-B



SECTION C-C



EASTBOUND OUTSIDE PARAPET ELEVATION

DESIGN AGENCY: PARSONS BRINCKERHOFF
 QUADE & DOUGLAS, INC.
 614 W. SUPERIOR AVE., SUITE 400
 CLEVELAND, OHIO 44113

DATE: 6-19-08
 RJO
 STRUCTURE FILE NUMBER: 4300696 (L) 4300726 (R)

REVIEWED: RJO
 DRAWN: BKJ
 CHECKED: P.JL
 DESIGNED: P.JL
 REVISIONS: EBS

PARAPET DETAILS (1 OF 3)
 BRIDGE NO. LAK-2-0486 L&R
 STATE ROUTE 2 OVER ERIE ROAD

LAK-2-3.32
 PID No. 13486

58/70
 1450
 1679