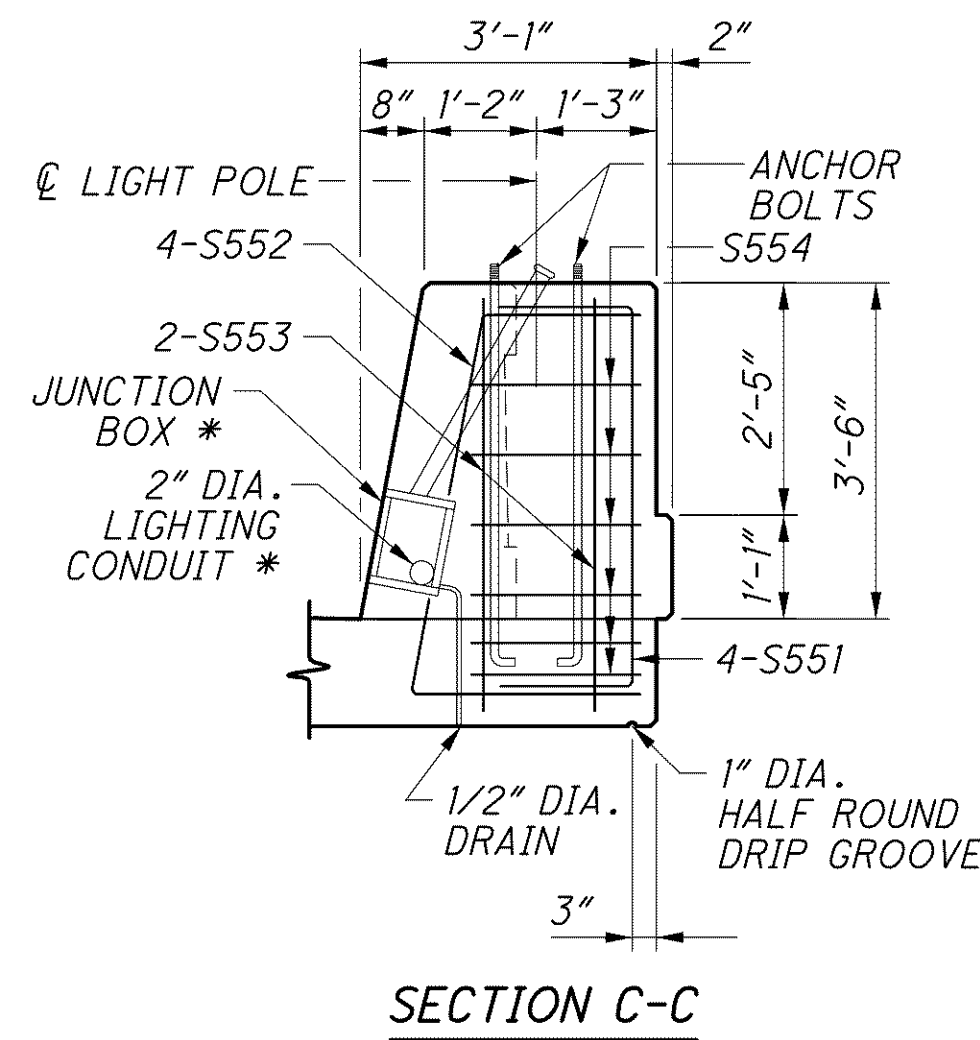
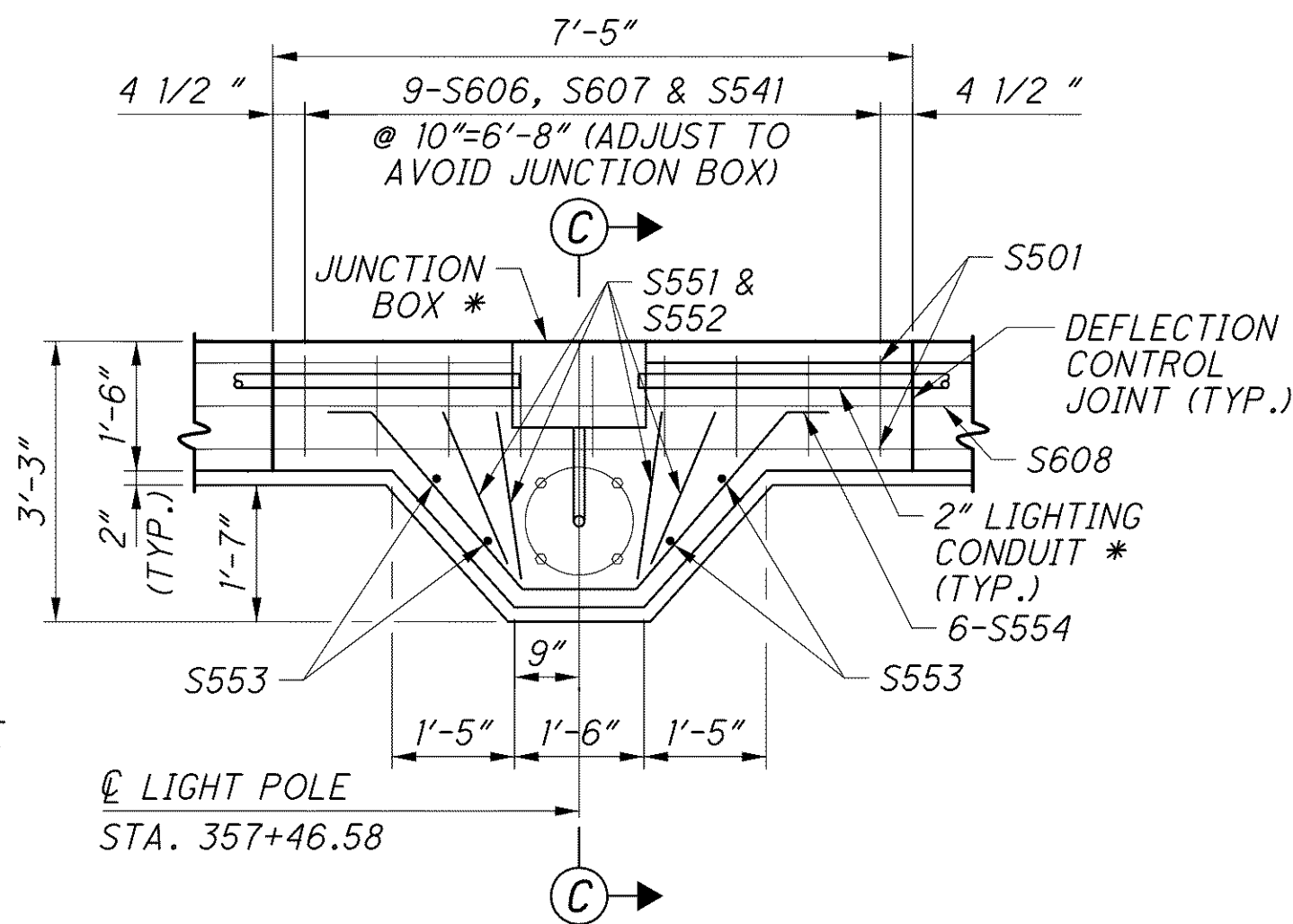


DETAIL A



SECTION C-C



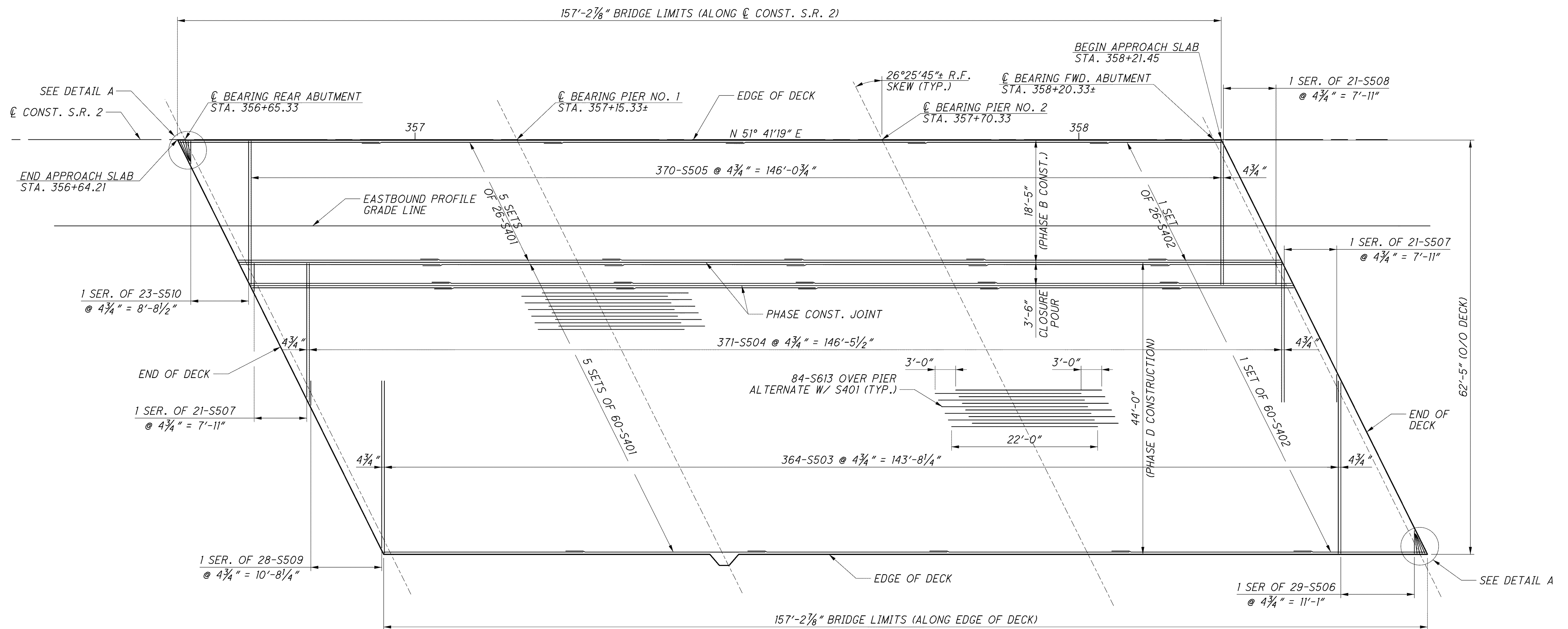
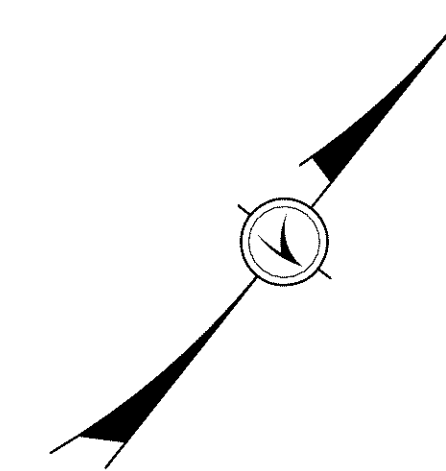
LIGHT POLE PILASTER DETAIL

NOTES:

1. MINIMUM BAR LAPS:  
#4 BARS = 2'-7"  
#5 BARS = 3'-2"

2. FOR LIST OF ABBREVIATIONS SEE SHEET 4/70.

\* INCLUDE WITH LIGHTING QUANTITIES FOR PAYMENT



TOP MAT

j:\LAK\13486\bridge\LAK002\_0486\c\sheets\002\_0486CDP001.dgn 03-JUL-2008 1:45PM intrn

DESIGNED	P.J.L.	CHECKED	EBS
DRAWN	L.E.L.	REVISED	
REVIEWED	R.J.O.	STRUCTURE FILE NUMBER	4300686 (L) 4300726 (R)
DATE	6-19-08		