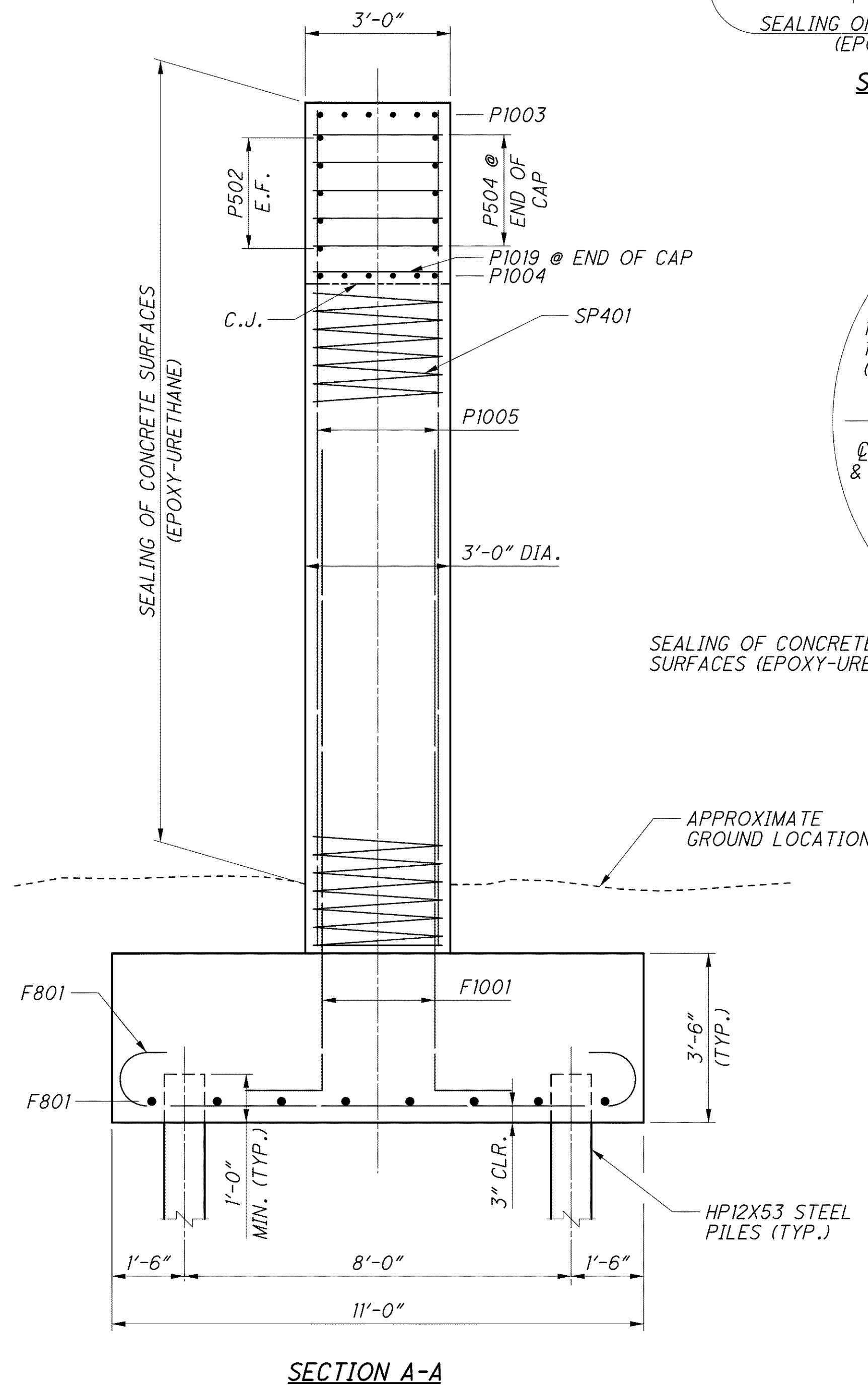
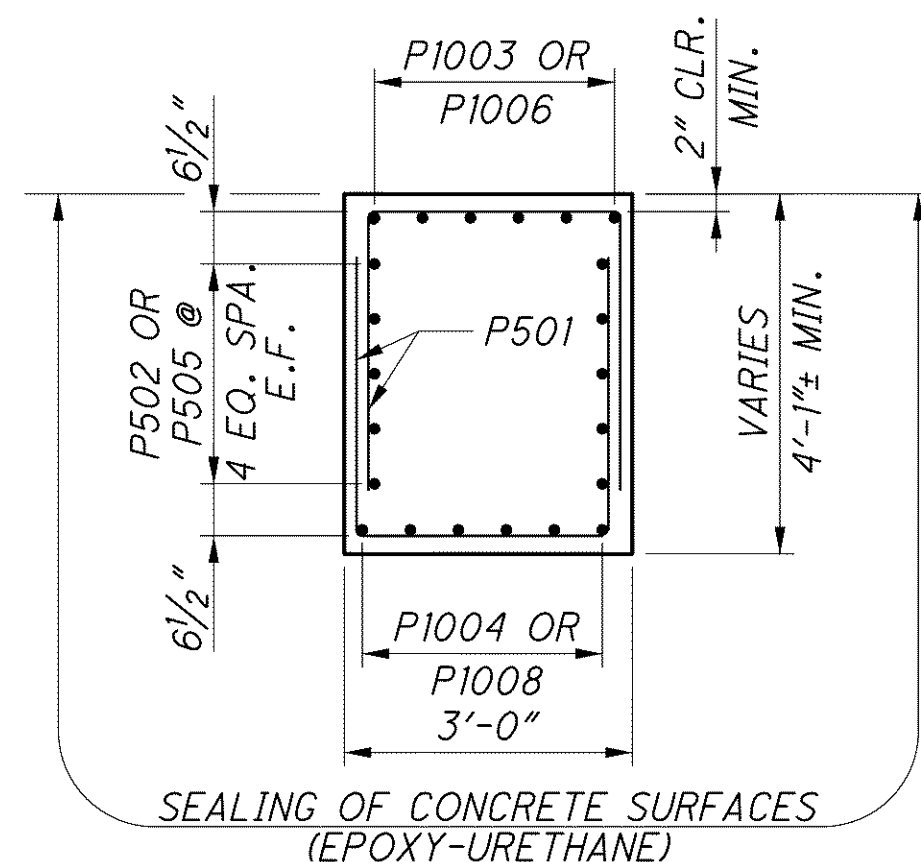


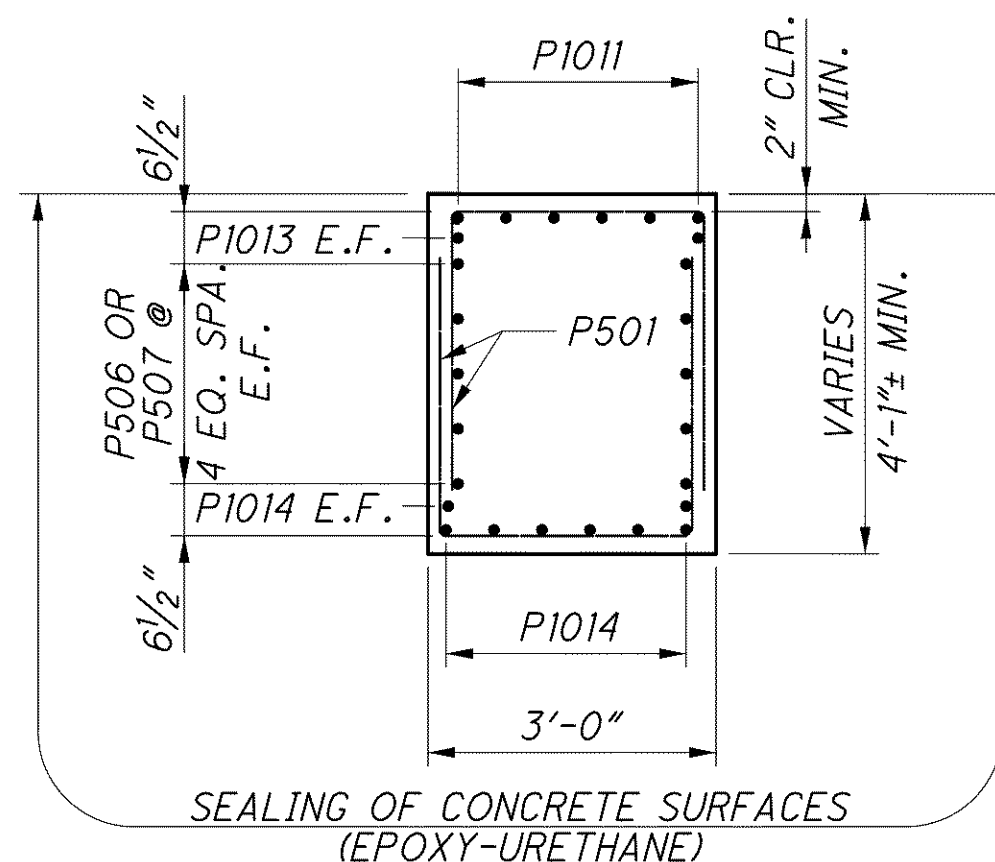
j:\LAK\13486\bridge\LAK002_0486C\sheets\002_0486CPI005.dgn 03-JUL-2008 1:43PM imtn



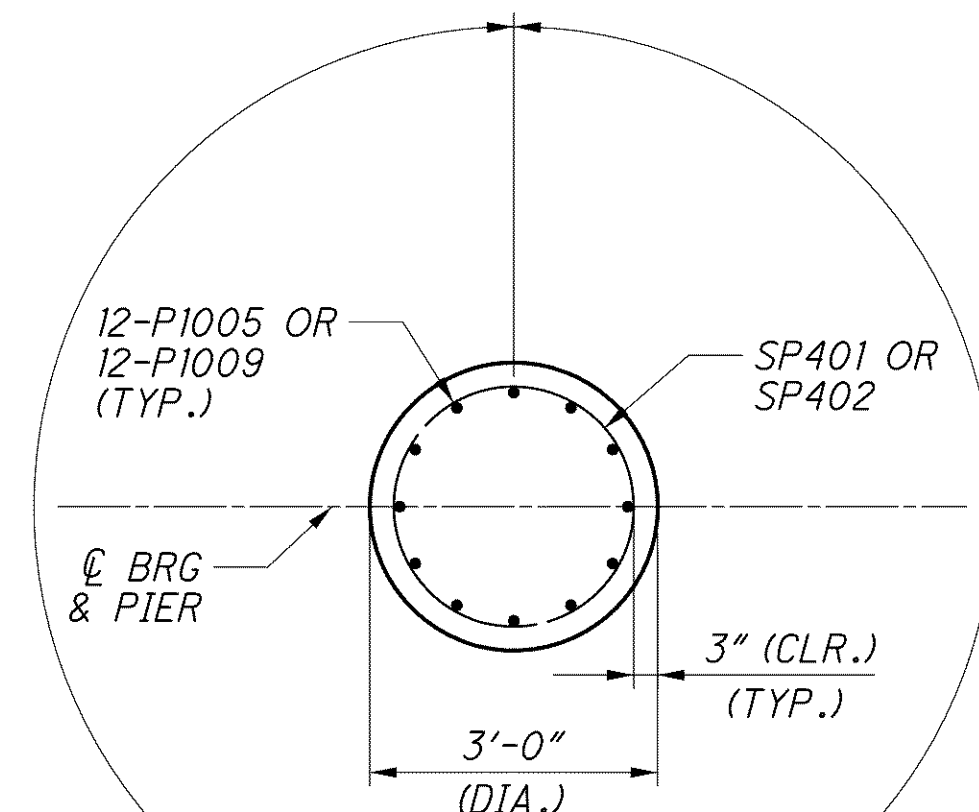
SECTION A-A



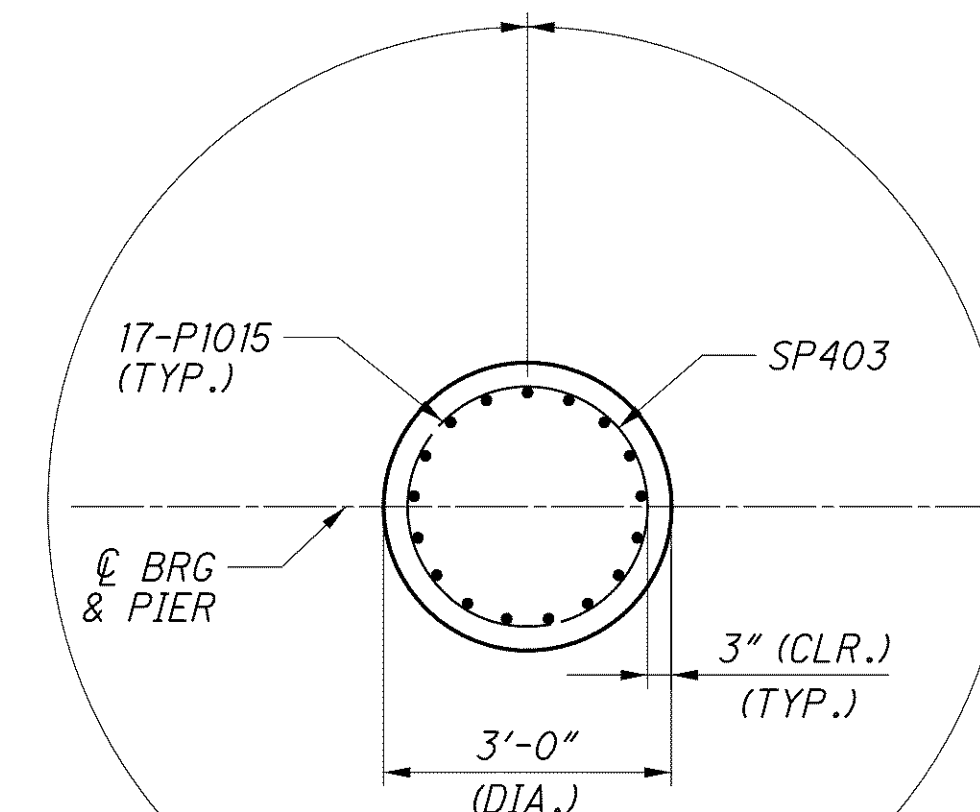
SECTION B-B



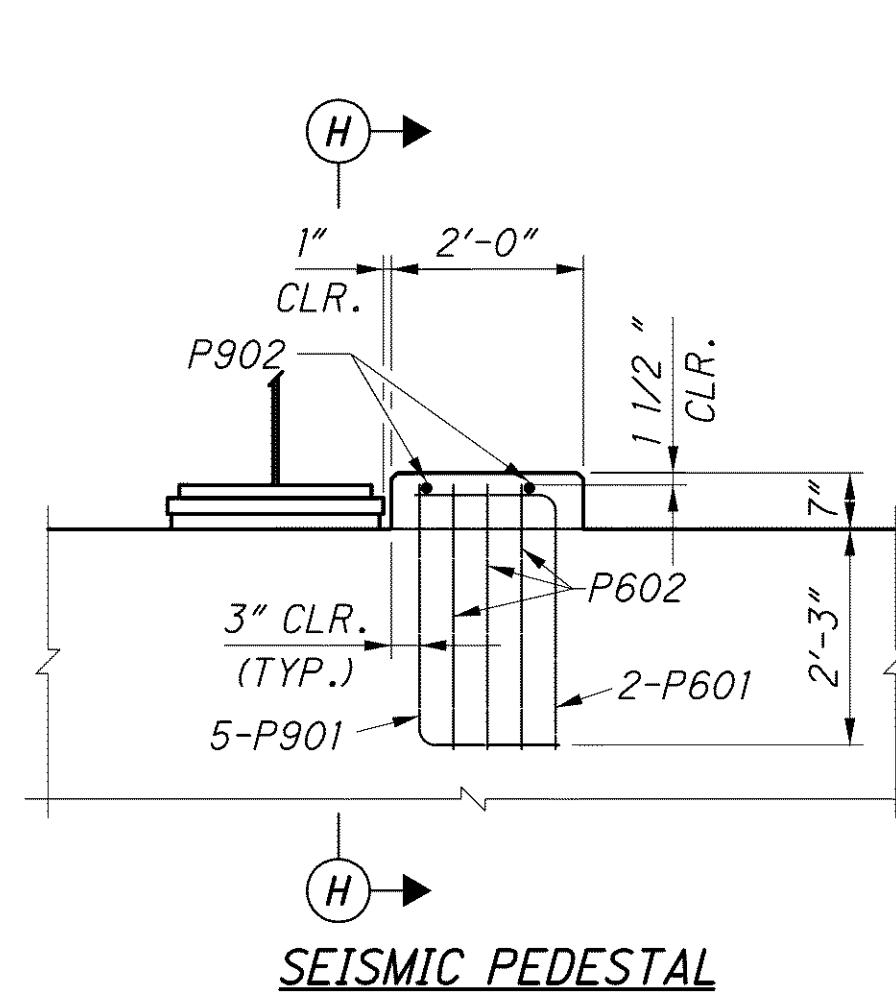
SECTION E-E



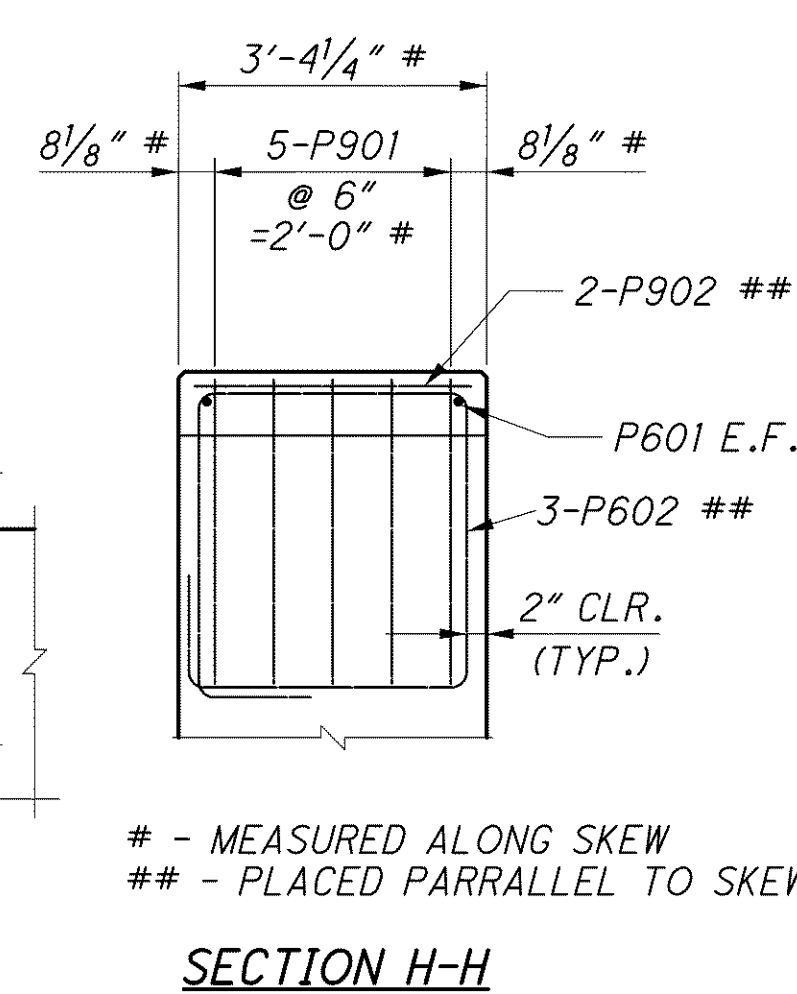
SECTION C-C



SECTION G-G

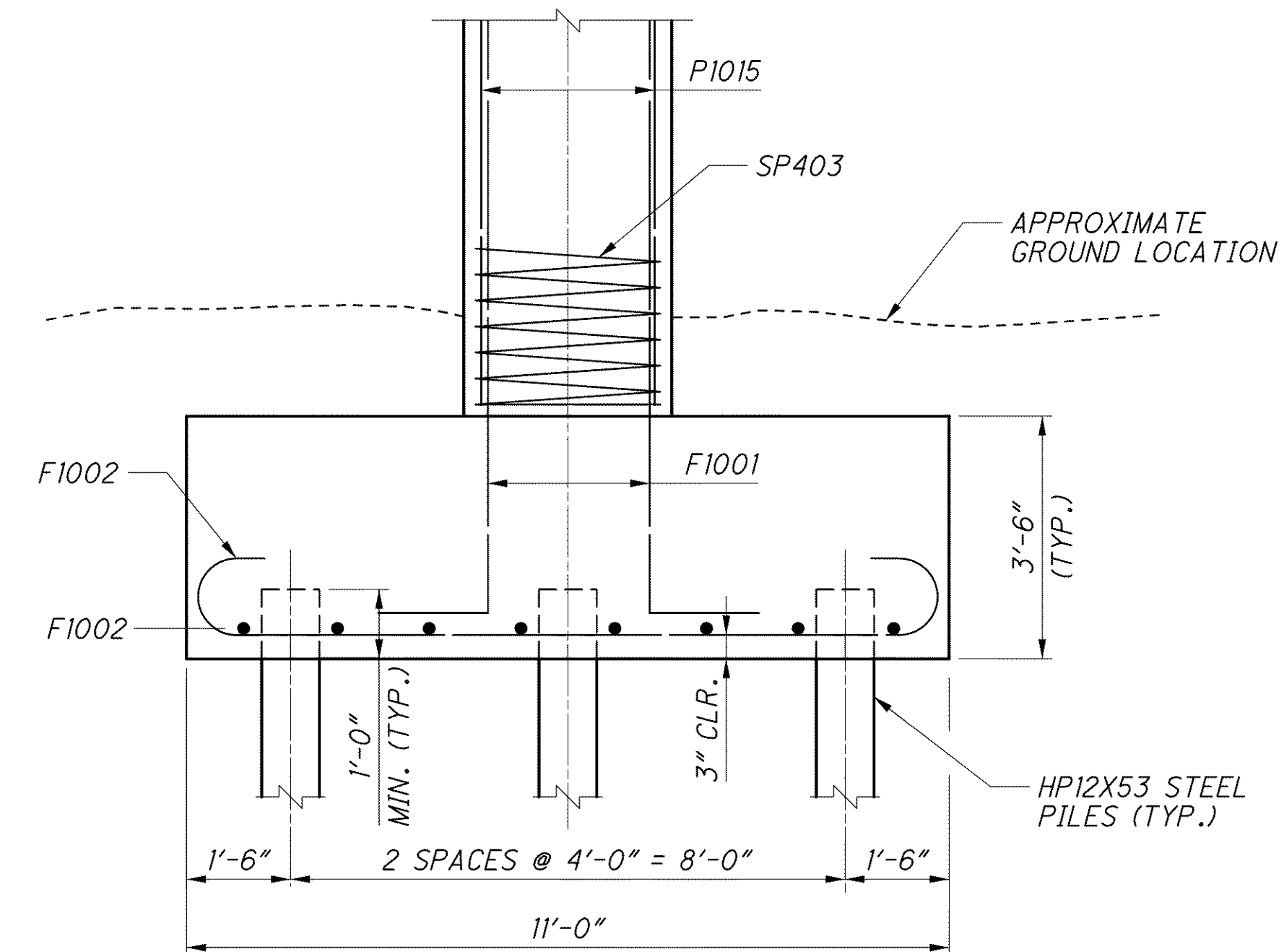


SEISMIC PEDESTAL

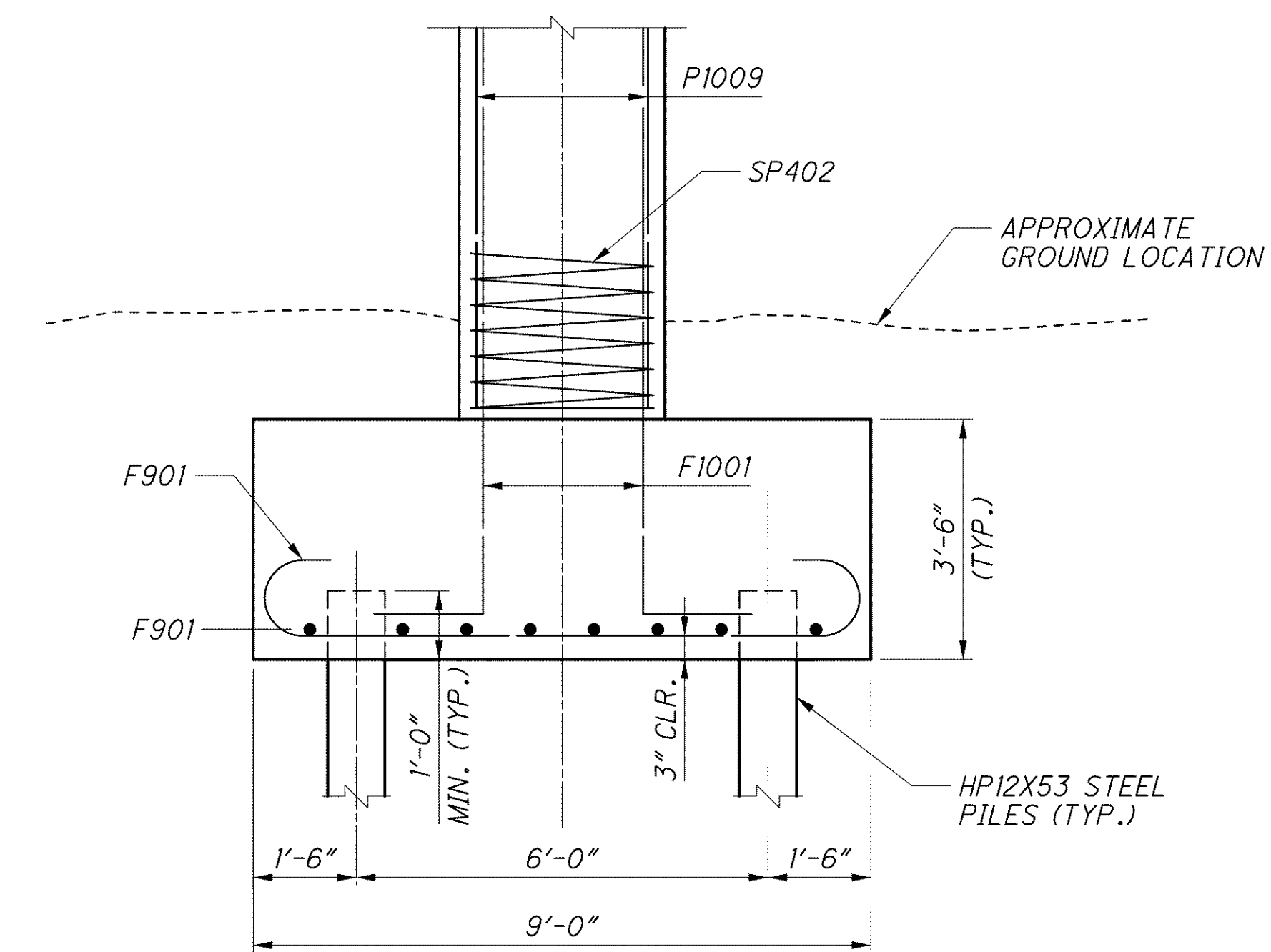


SECTION H-H

- MEASURED ALONG SKEW
- PLACED PARRALLEL TO SKEW



SECTION F-F



SECTION D-D

NOTES:

1. MINIMUM BAR LAPS: #10 BARS = 10'-3", # 5 BAR = 2'-5" (UNLESS NOTED OTHERWISE)
2. FOR LOCATION OF SECTION A-A, SEE SHEET 29/70.
3. FOR LOCATION OF SECTION B-B AND C-C, SEE SHEETS 29/70 AND 30/70.
4. FOR LOCATION OF SECTION D-D, SEE SHEET 30/70.
5. FOR LOCATION OF SECTIONS E-E, F-F, AND G-G, SEE SHEETS 31/70 AND 32/70.
6. FOR LOCATION OF SEISMIC PEDESTALS, SEE SHEETS 29/70 THRU 32/70.
7. FOR LIST OF ABBREVIATIONS SEE SHEET 4/70.

DESIGN AGENCY PARSONS BRINCKERHOFF QUADE & DOUGLAS, INC. 614 W. SUPERIOR AVE., SUITE 400 CLEVELAND, OHIO 44113	
DATE 6-19-08	REVIEWED PWP
STRUCTURE FILE NUMBER 4300696 (L) 4300726 (R)	DESIGNED BMG
DRAWN NAL	CHECKED PUL
PIER DETAILS BRIDGE NO. LAK-2-0486 L&R STATE ROUTE 2 OVER ERIE ROAD	
LAK-2-3.32	PID No. 13486
33 / 70	1425 1679