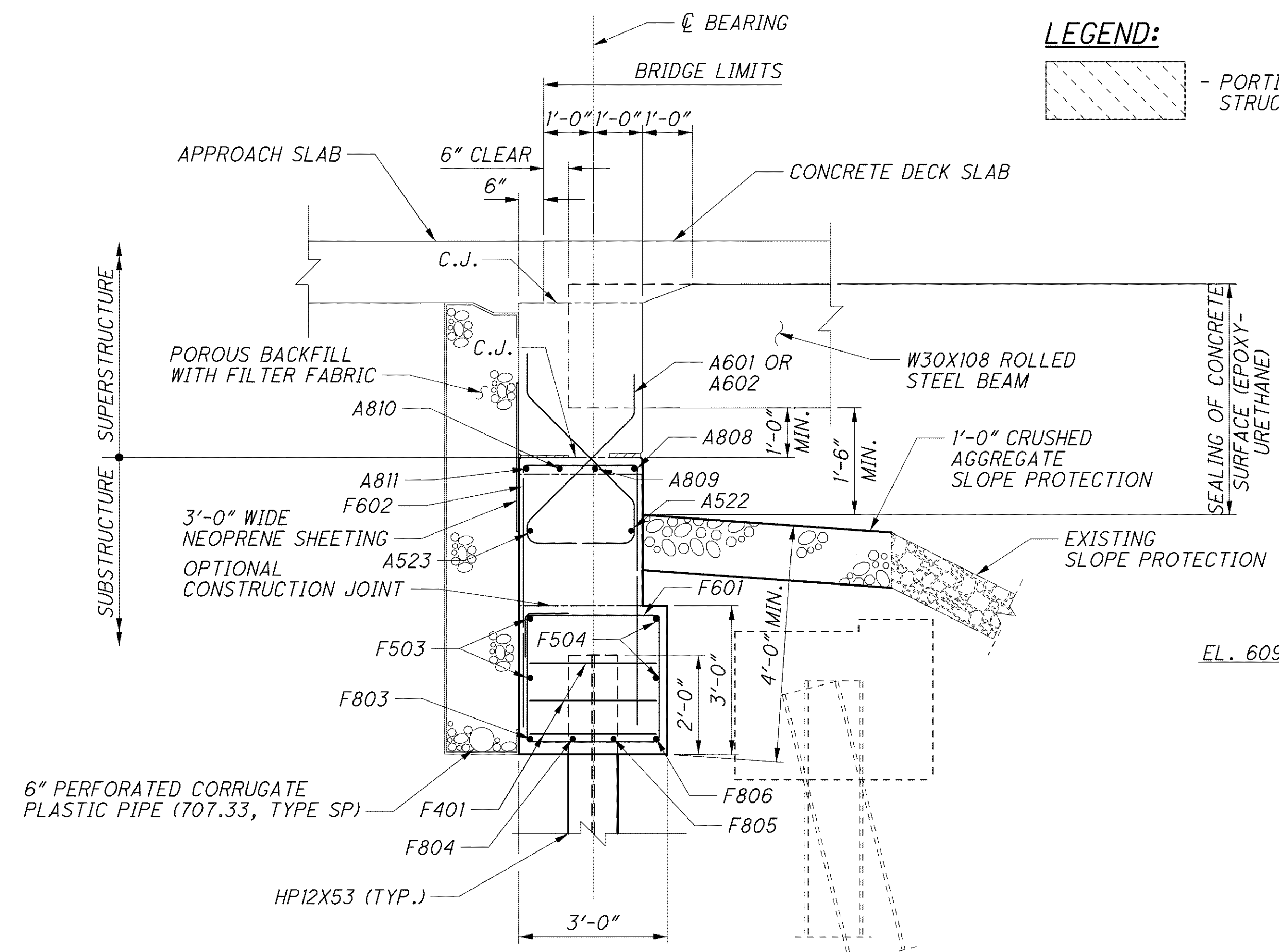
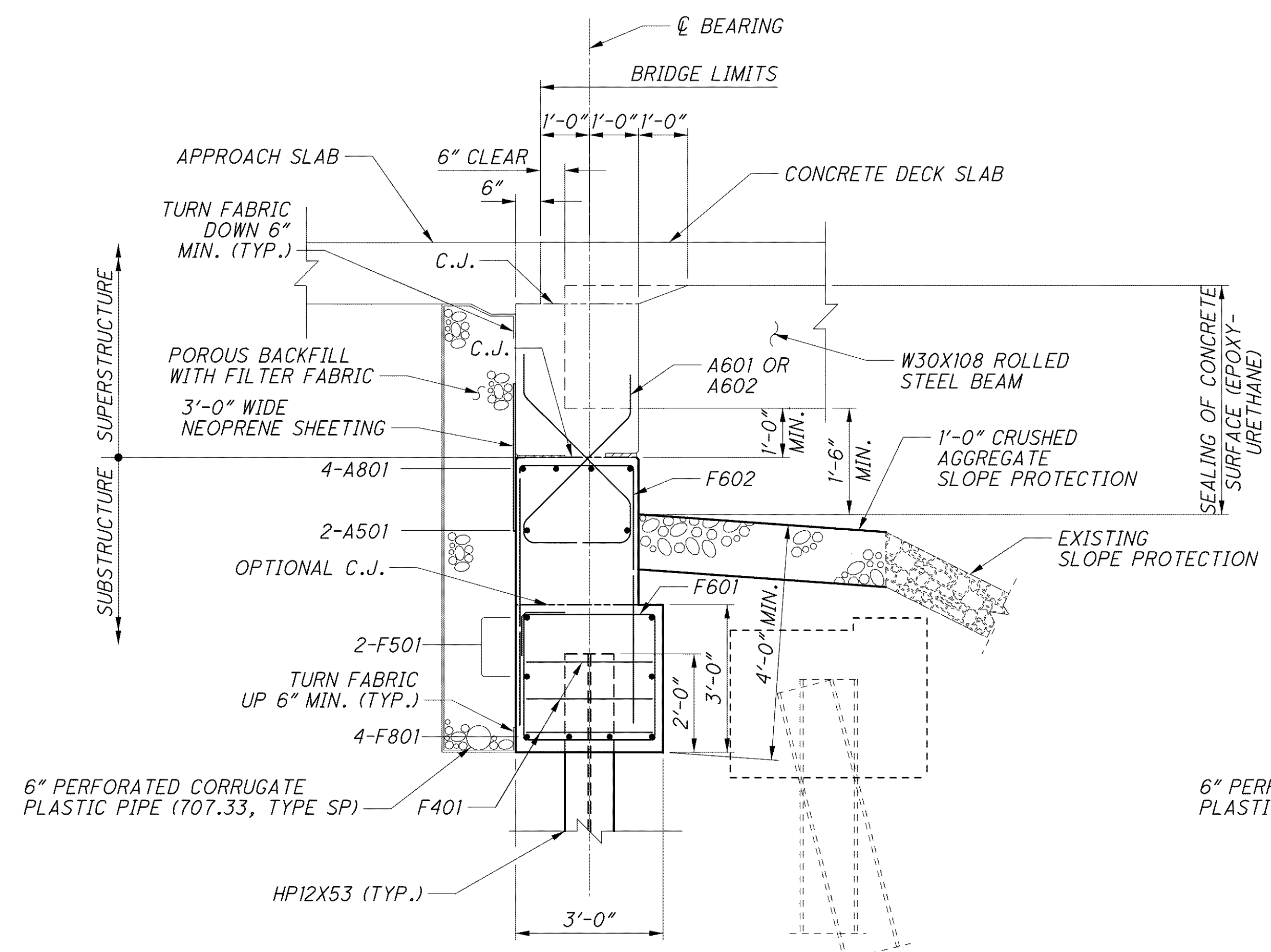


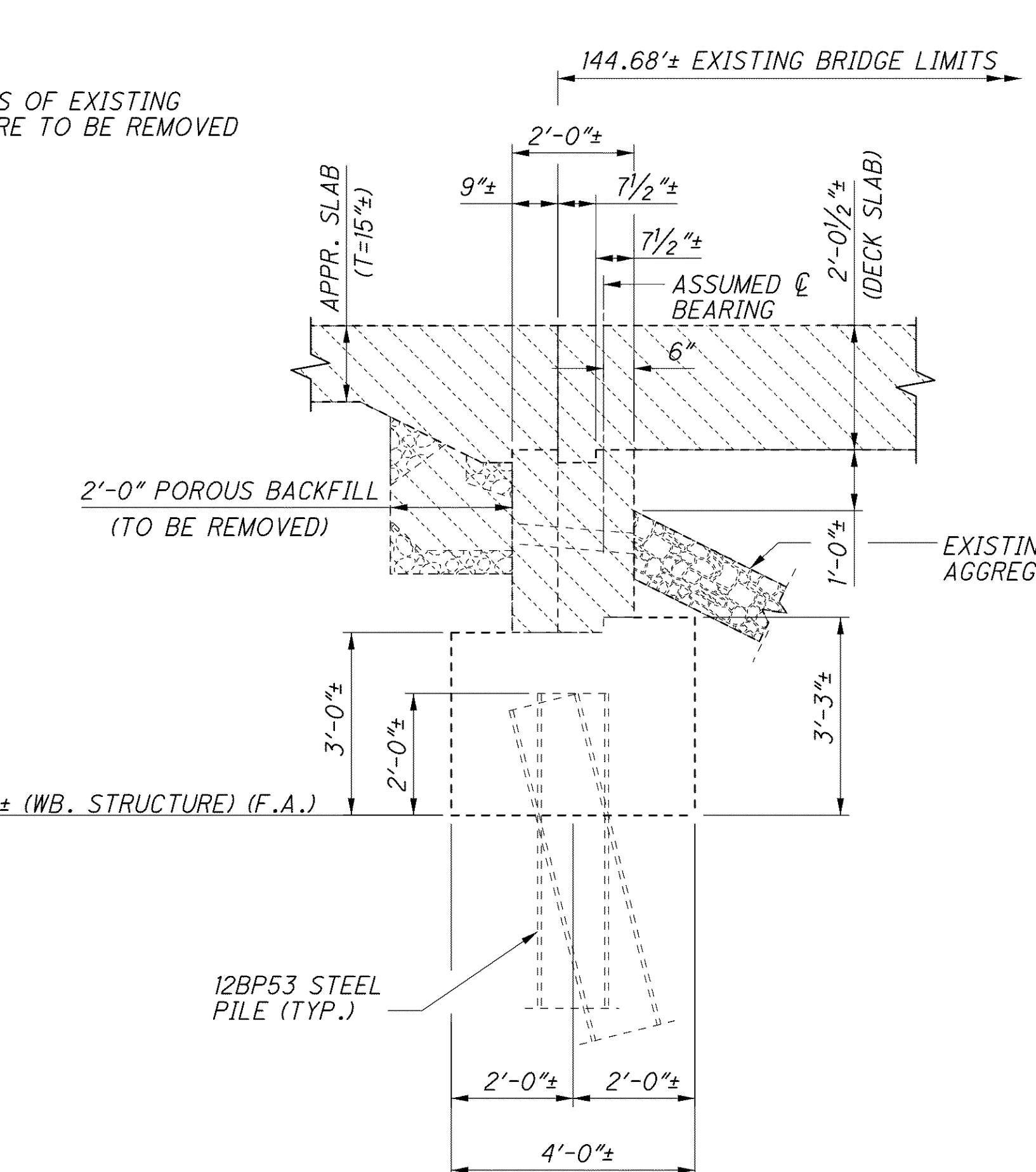
J:\LAK\13486\bridge\LAK002_0486C\sheets\02_0486CAF006.dgn 03-JUL-2008 1:41PM lintn



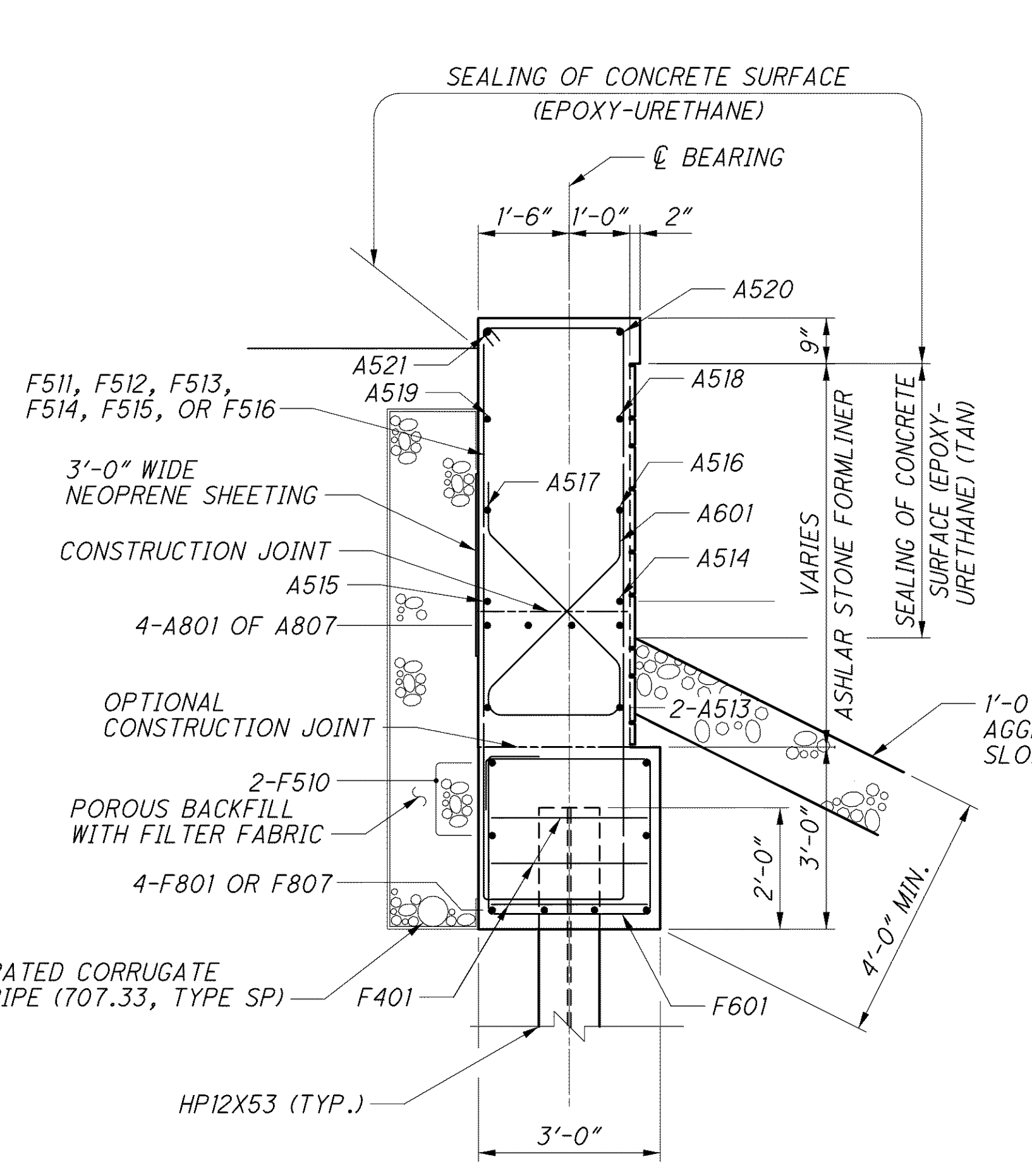
SECTION A-A



SECTION B-B

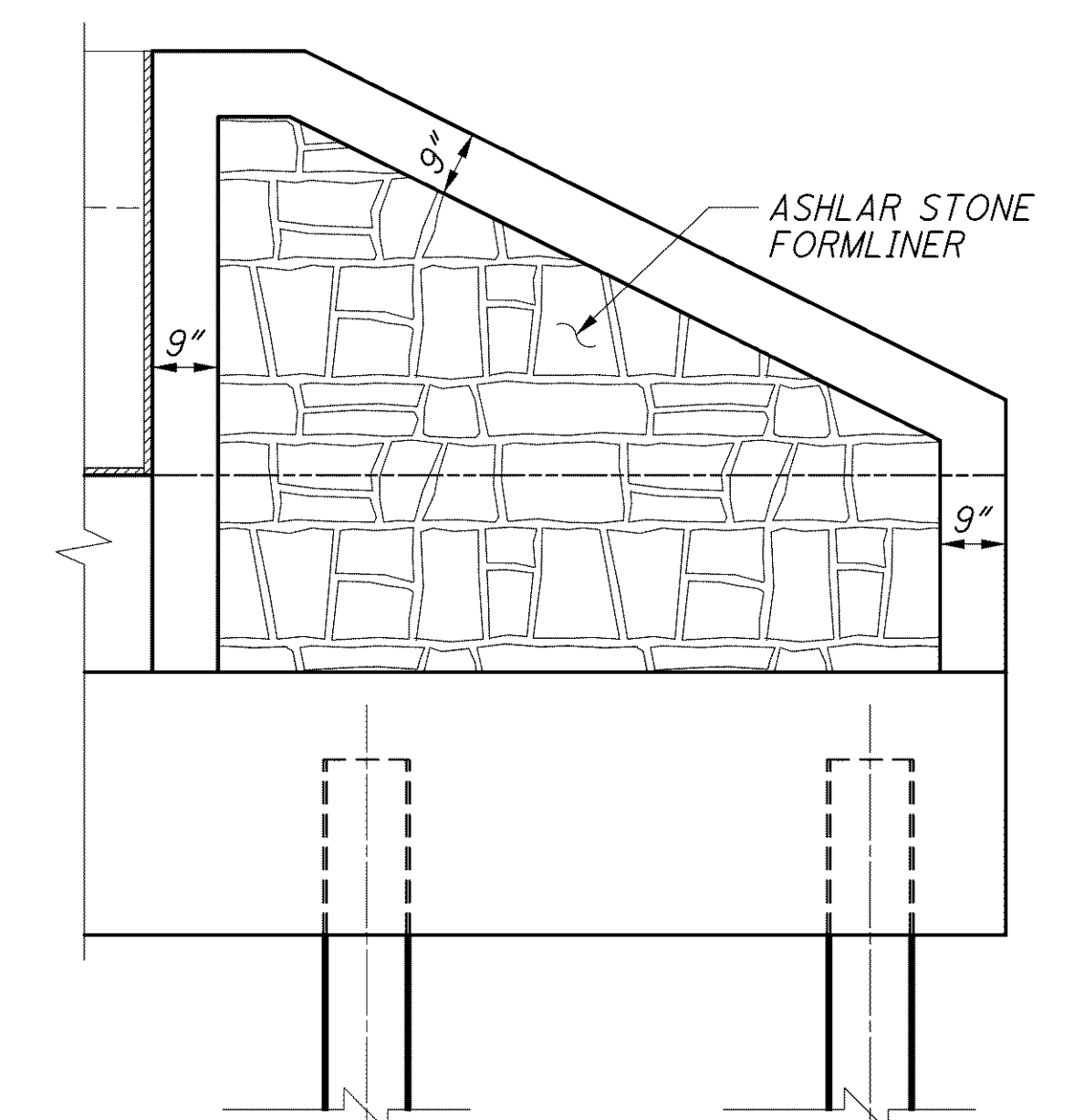


EXISTING ABUTMENT SECTION

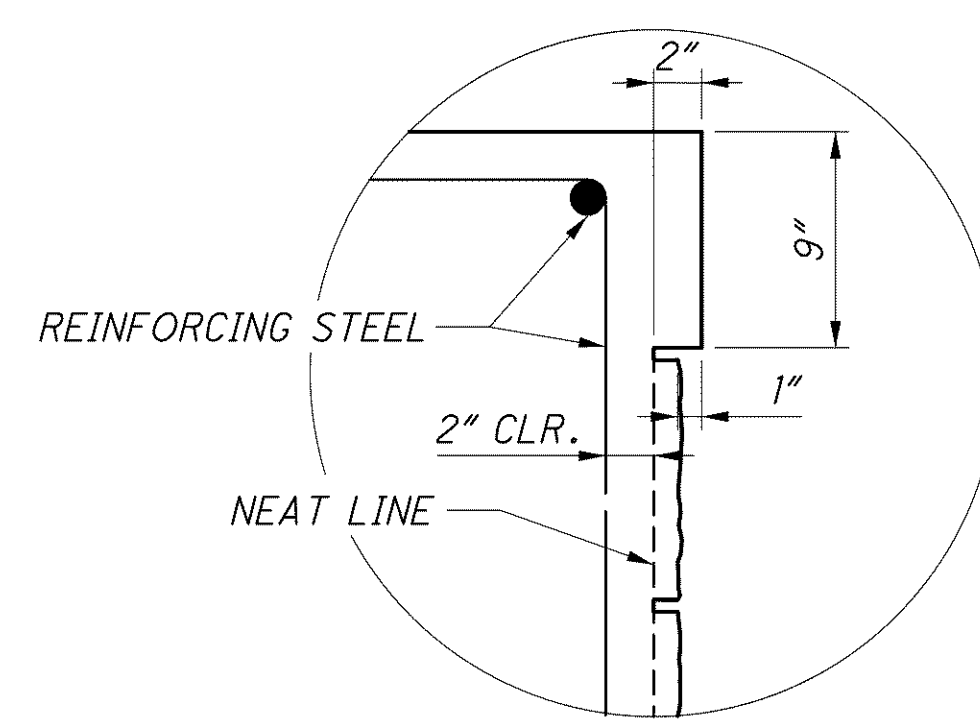


SECTION C-C

- NOTES:**
1. POROUS BACKFILL WITH FILTER FABRIC, 2 FEET THICK SHALL EXTEND UP TO THE PLANE OF THE SUBGRADE, TO 1 FOOT BELOW THE EMBANKMENT SURFACE, AND Laterally TO THE ENDS OF THE WINGWALLS.
 2. TYPE 2 WATERPROOFING SHALL BE CENTERED VERTICALLY OVER PHASE CONSTRUCTION JOINTS AND EXTENDED FROM THE TOP OF WALL DOWN TO THE TOP OF FOOTING.
 3. PROVIDE ITEM 512 SEALING OF CONCRETE SURFACES EPOXY-URETHANE, FEDERAL COLOR NUMBER (TAN) FOR ALL AREAS TREATED WITH ASHLAR STONE FORMLINER.
 4. FOR LIST OF ABBREVIATIONS SEE SHEET 4/70.



AESTHETIC DETAIL
TYPICAL EACH WINGWALL
(SEE NOTE 3)



DETAIL D

DESIGN AGENCY PARSONS BRINCKERHOFF QUADE & DOUGLAS, INC. 614 W. SUPERIOR AVE., SUITE 400 CLEVELAND, OHIO 44113	
DATE 6-19-08	REVIEWED RJO
DESIGNED P.JL	DRAWN BKJ
CHECKED EBS	REVISED
STRUCTURE FILE NUMBER 4300696 (L) 4300726 (R)	
WESTBOUND FORWARD ABUTMENT DETAILS	
BRIDGE NO. LAK-2-0486 L&R STATE ROUTE 2 OVER ERIE ROAD	
LAK-2-3.32	PID No. 13486
28/70	1420 1679