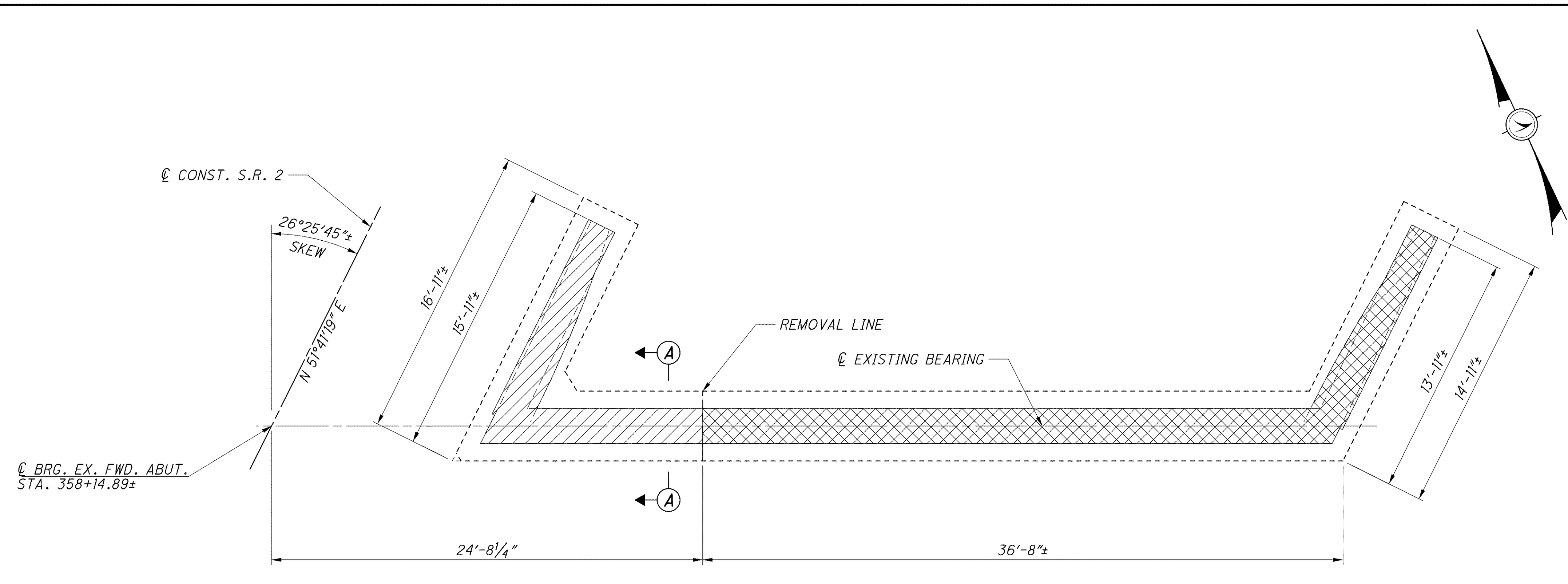
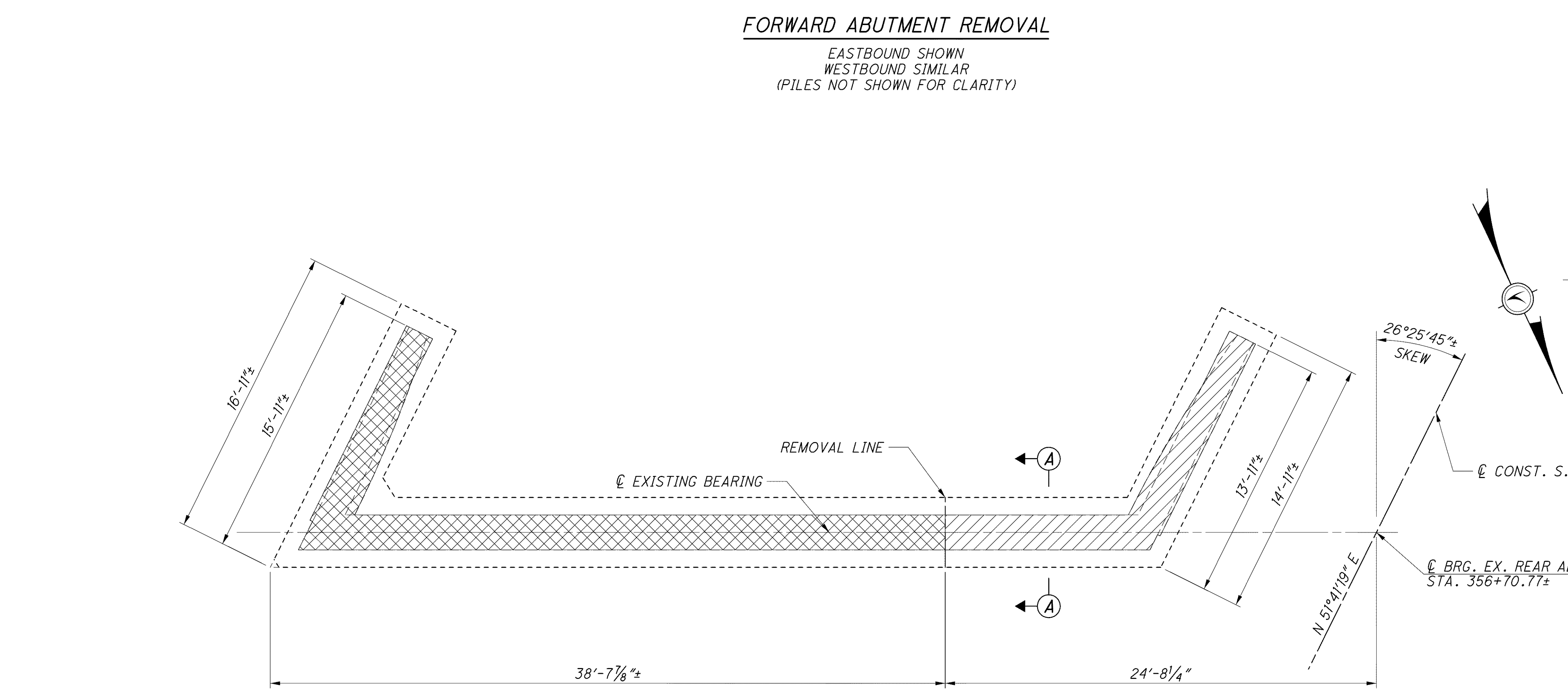


j:\LAK\13486\bridge\LAK002_0486c\sheets\002_0486CRE001.dgn 03-JUL-2008 1:37PM lntn



FORWARD ABUTMENT REMOVAL

EASTBOUND SHOWN
WESTBOUND SIMILAR
(PILES NOT SHOWN FOR CLARITY)



REAR ABUTMENT REMOVAL

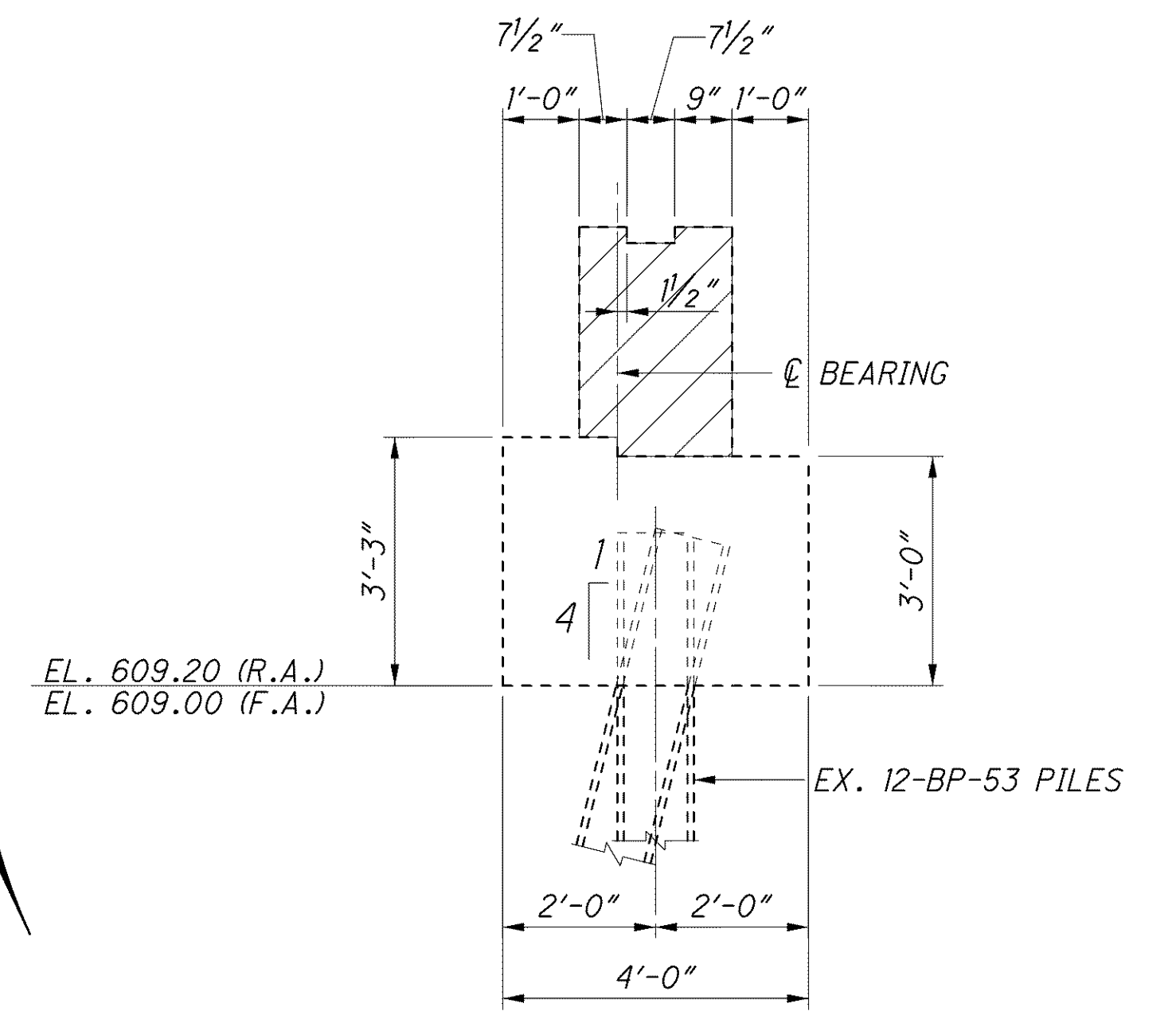
EASTBOUND SHOWN
WESTBOUND SIMILAR
(PILES NOT SHOWN FOR CLARITY)

NOTES:

1. FOR PHASE CONSTRUCTION DETAILS SEE SHEETS 10/70 THRU 12/70.
2. FOR LIST OF ABBREVIATIONS SEE SHEET 4/70.

LEGEND

- PORTIONS OF STRUCTURE REMOVED DURING PHASE B REMOVAL
- PORTIONS OF STRUCTURE REMOVED DURING PHASE C OR PHASE D REMOVAL



SECTION A-A

DATE	6-19-08
REVIEWED	RJO
DESIGNED	PJL
DRAWN	LEL
CHECKED	EBS
REVISED	
STRUCTURE FILE NUMBER	4300726 (R)
4300686 (L)	