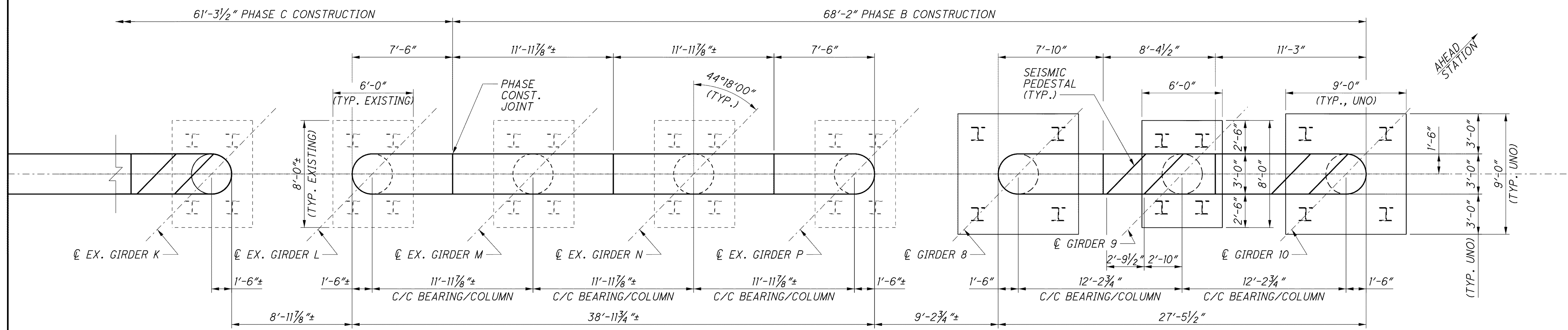


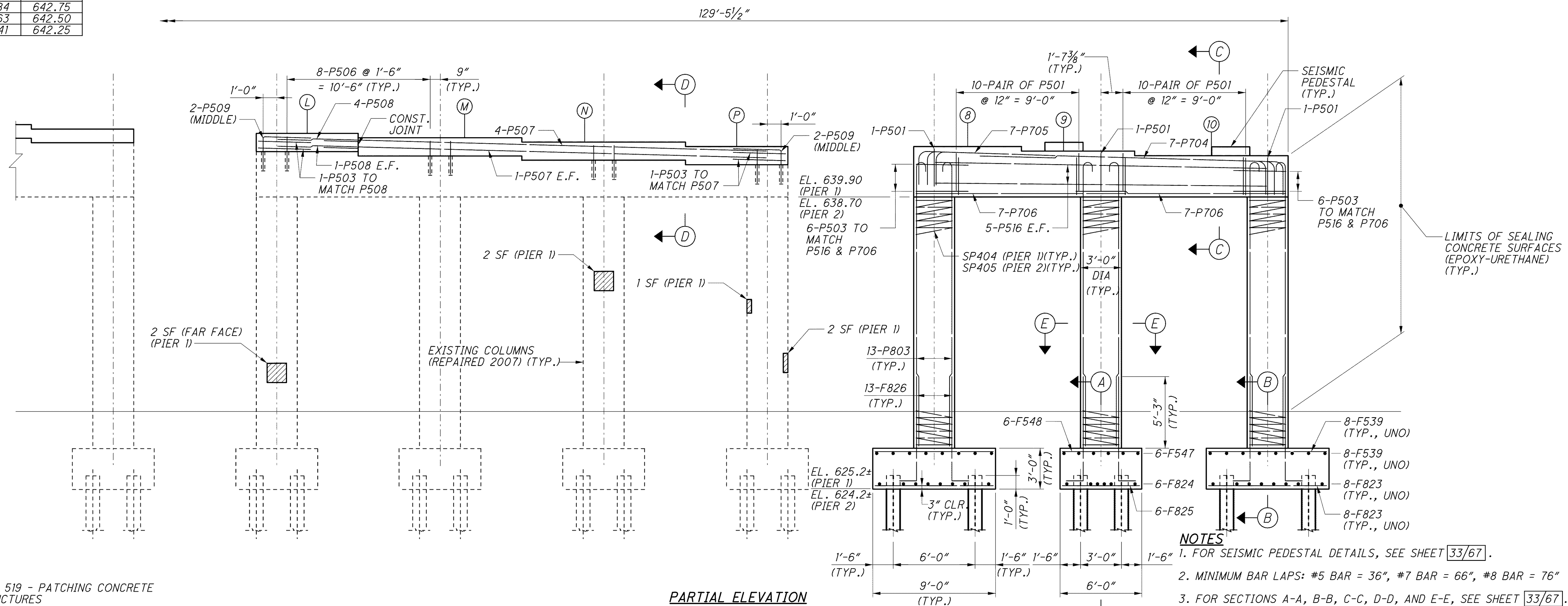
j:\LAK\13486\bridge\LAK002\_0400C\sheets\02\_0400CPI003.dgn 03-JUL-2008 1:43PM imtn



**PARTIAL PLAN**

**ELEVATION TABLE**

POINT	PIER 1	PIER 2
L	644.25	643.42
M	644.12	643.24
N	644.05	643.04
P	643.98	642.82
8	643.84	642.75
9	643.63	642.50
10	643.41	642.25



**PARTIAL ELEVATION**

**LEGEND:**  
 - ITEM 519 - PATCHING CONCRETE STRUCTURES  
 NOTE: PATCHING OF THE RECENTLY REINFORCED FIBER WRAPPED COLUMNS SHALL BE AT THE DISCRETION OF THE FIELD ENGINEER.

- NOTES**
1. FOR SEISMIC PEDESTAL DETAILS, SEE SHEET 33/67.
  2. MINIMUM BAR LAPS: #5 BAR = 36", #7 BAR = 66", #8 BAR = 76"
  3. FOR SECTIONS A-A, B-B, C-C, D-D, AND E-E, SEE SHEET 33/67.
  4. FOR LIST OF ABBREVIATIONS, SEE SHEET 4/67.
  5. ALL PHASES REFERENCED ARE TO BE COMPLETED UNDER STAGE 3 SEQUENCE OF CONSTRUCTION, SEE MOT DRAWINGS.