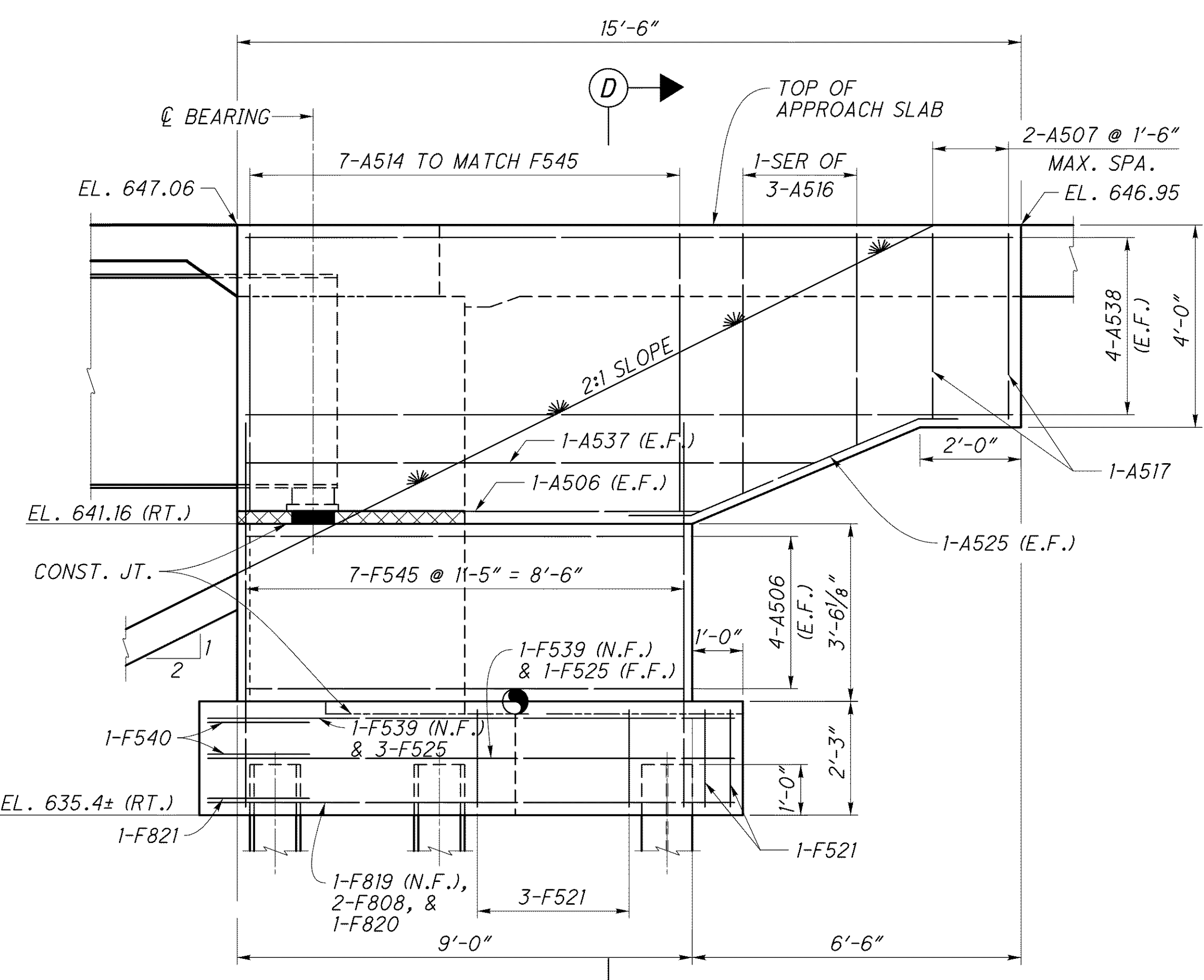
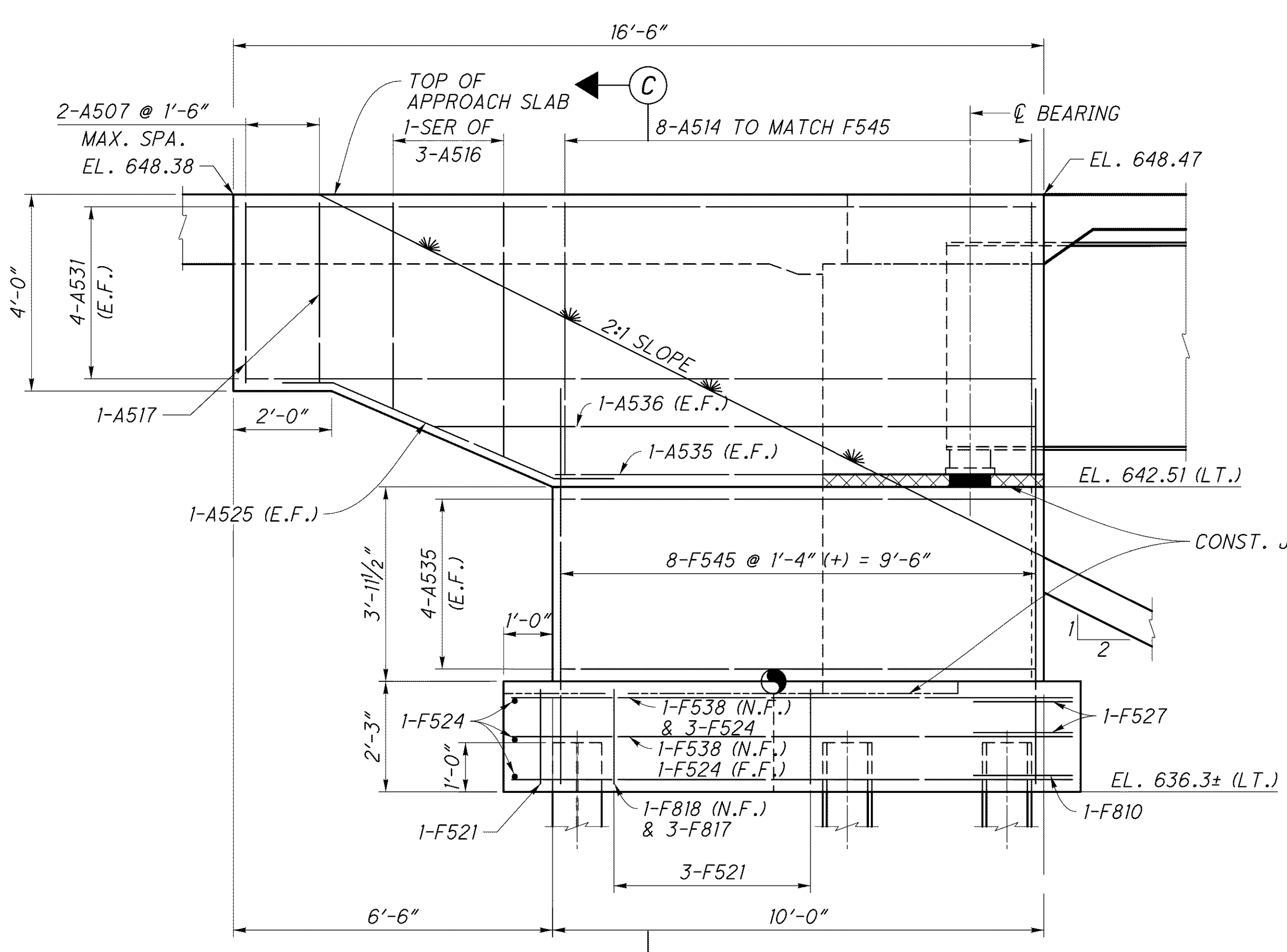
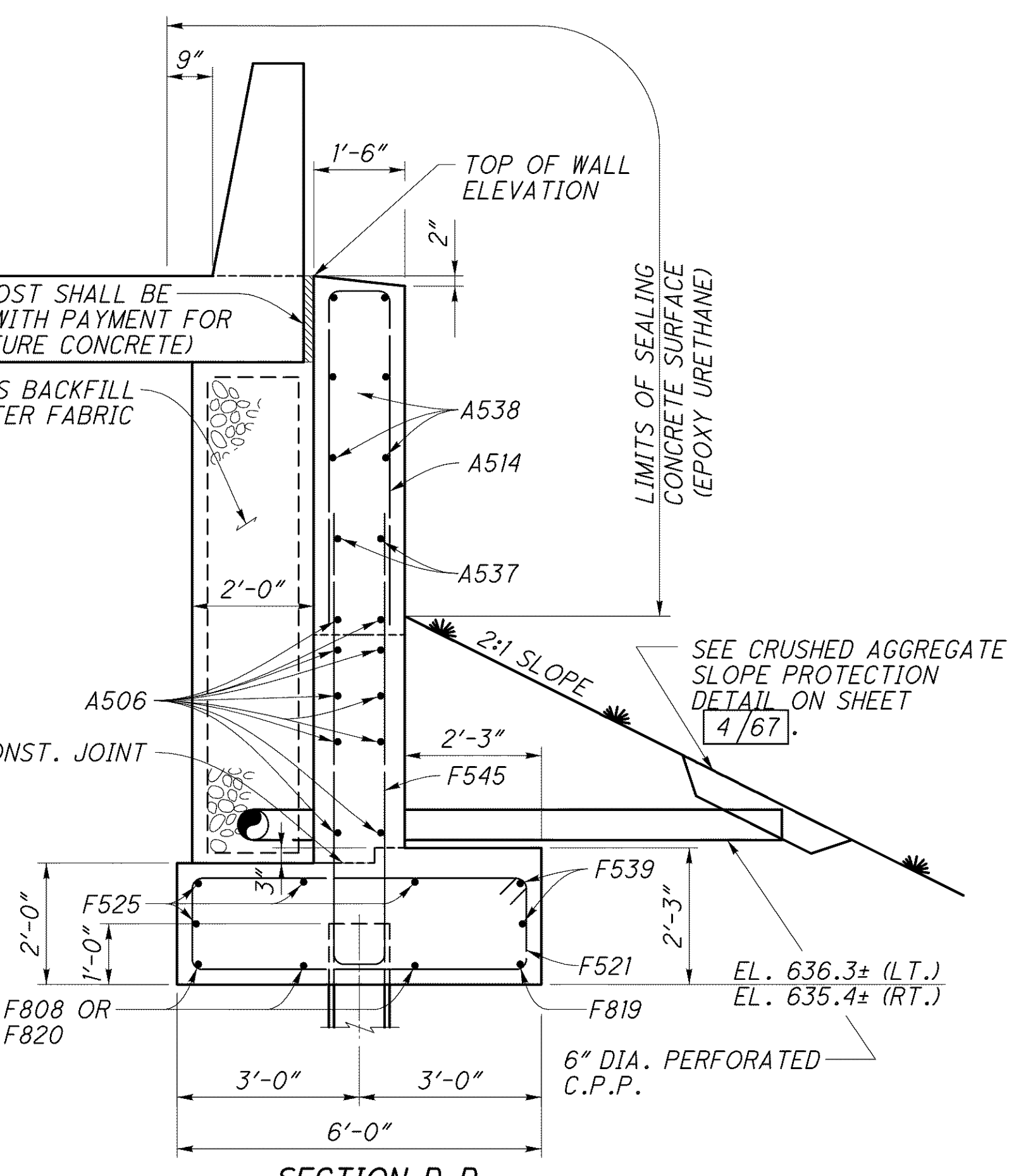
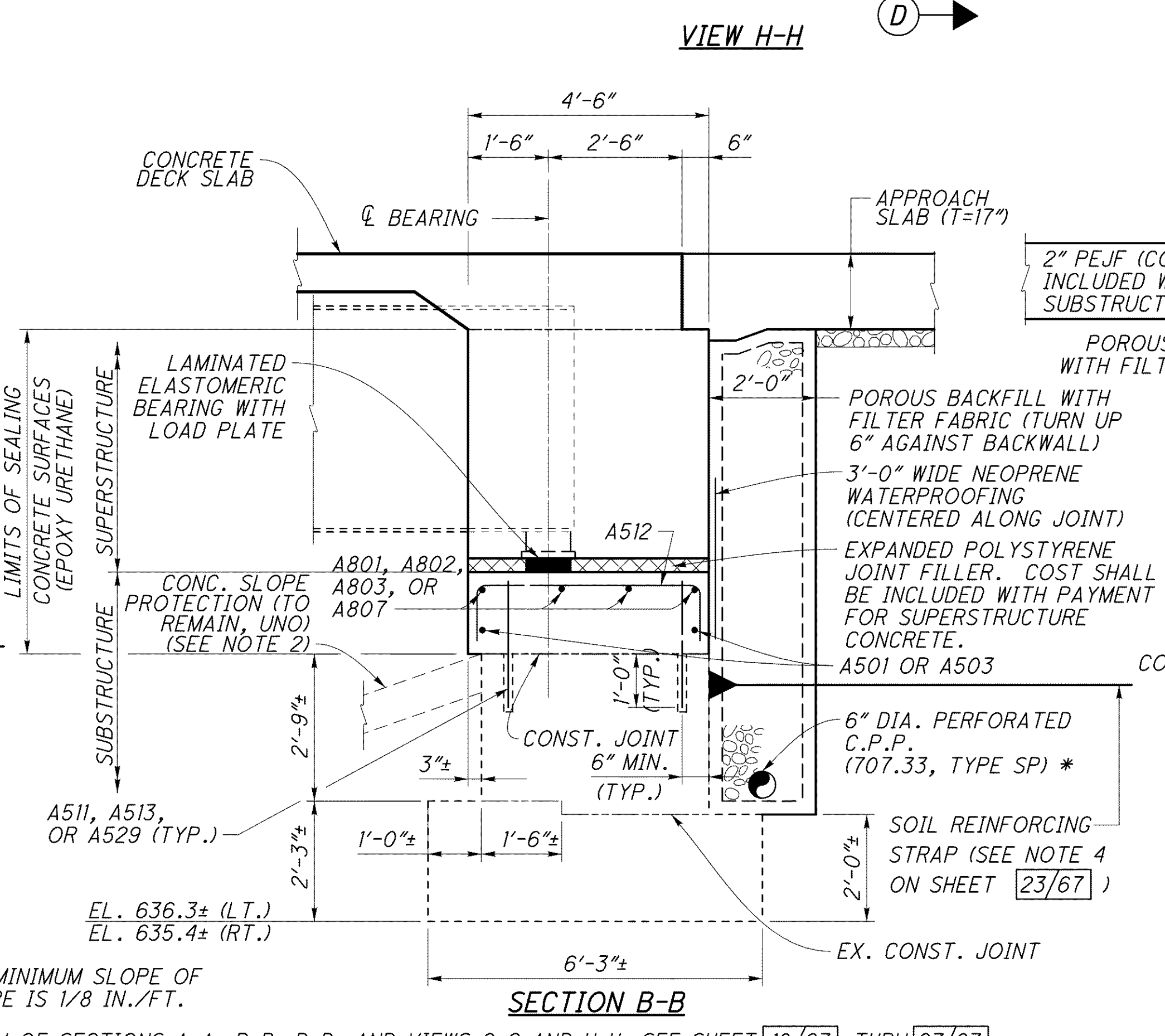
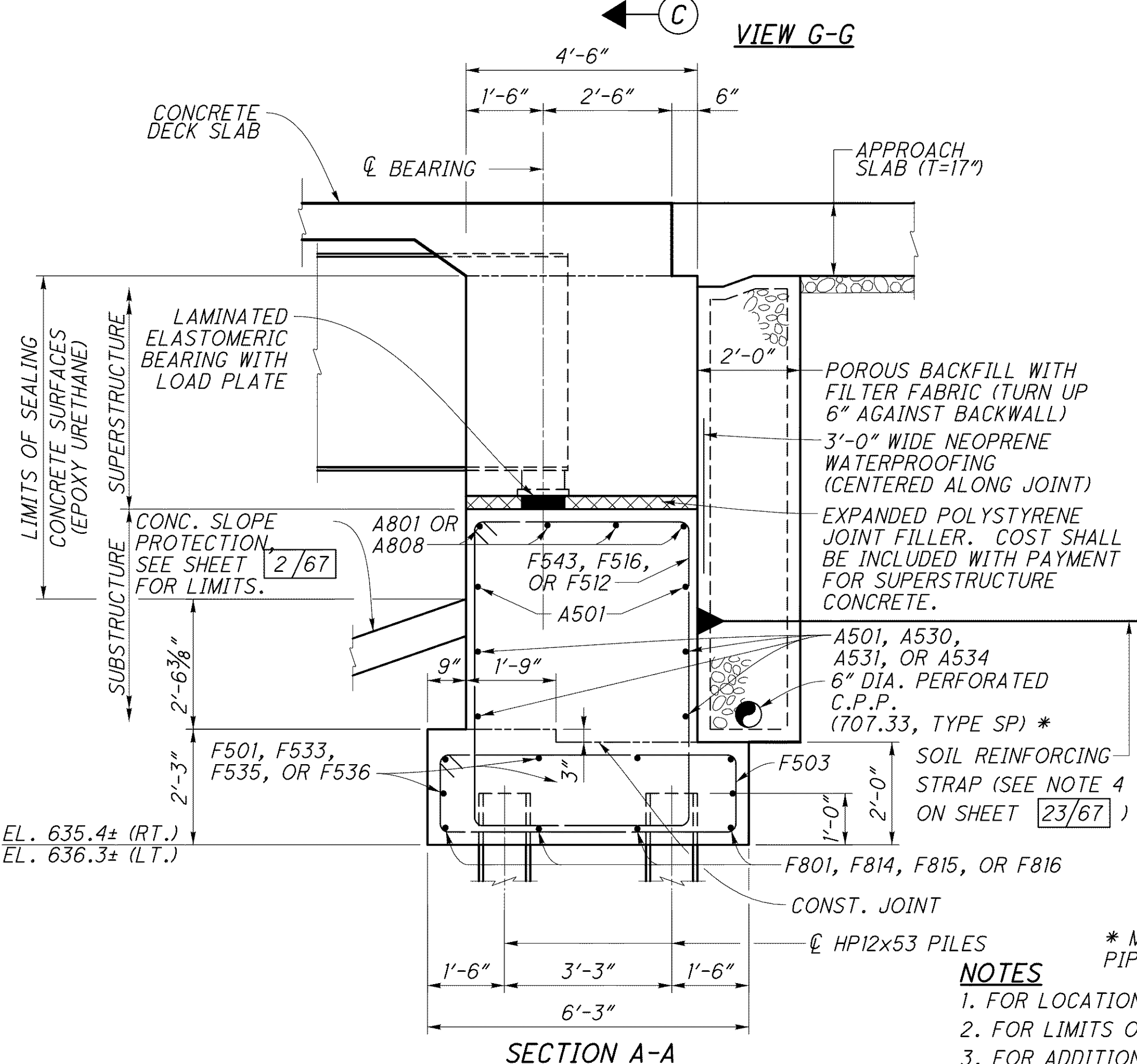


J:\LAK\13486\bridge\LAK002_0400C\sheets\02_0400CAF005.dgn 03-JUL-2008 1:42PM jinh



VIEW G-G

VIEW H-H



NOTES

1. FOR LOCATION OF SECTIONS A-A, B-B, D-D, AND VIEWS G-G AND H-H, SEE SHEET 18/67 THRU 27/67.
2. FOR LIMITS OF EXISTING CONCRETE SLOPE PROTECTION REMOVAL AND REPLACEMENT, SEE SHEET 2/67.
3. FOR ADDITIONAL NOTES AND DETAILS, SEE SHEET 23/67.
4. FOR LIST OF ABBREVIATIONS, SEE SHEET 4/67.
5. FOR SOIL REINFORCING STRAP AND BACKFILL MATERIAL, SEE SECTION D-D ON SHEET 23/67.
6. FOR SECTION C-C, SEE SHEET 22/67.
7. FOR ADDITIONAL ABUTMENT FOOTING REINFORCING DETAILS, SEE SHEET 29/67.