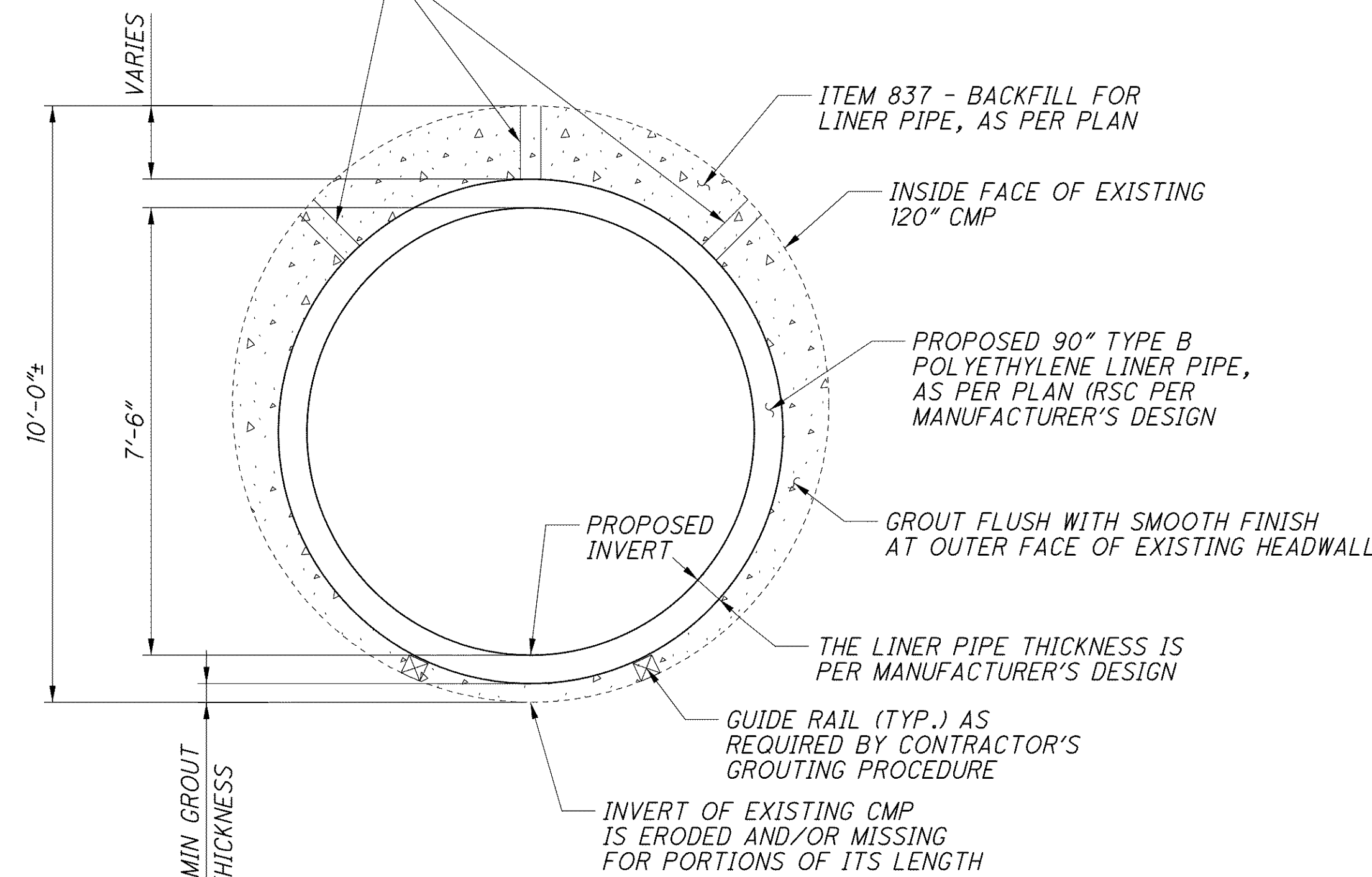
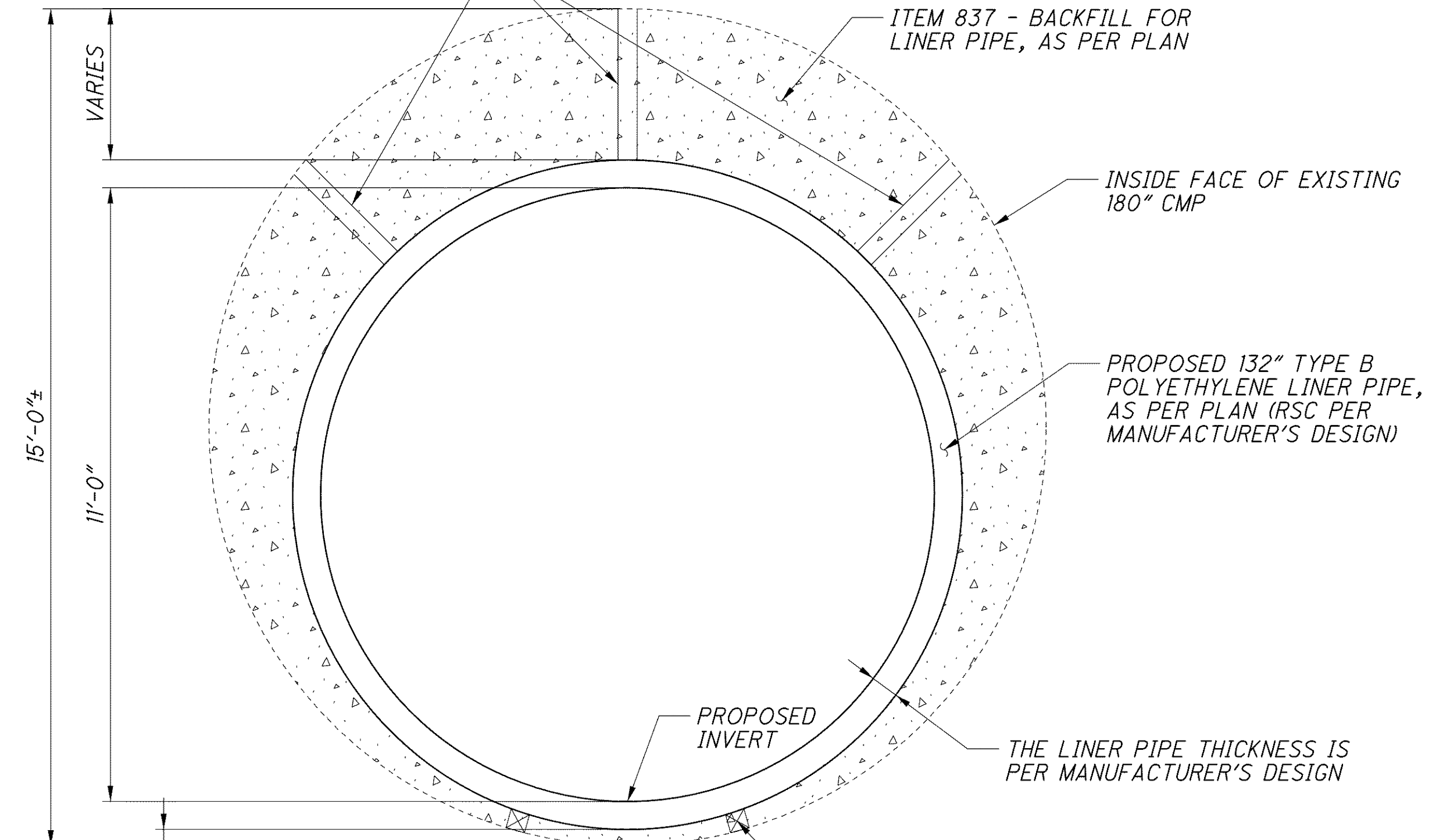


BLOCKING TO PREVENT OR CONTROL FLOTATION, AS REQUIRED BY CONTRACTOR'S GROUTING PROCEDURE

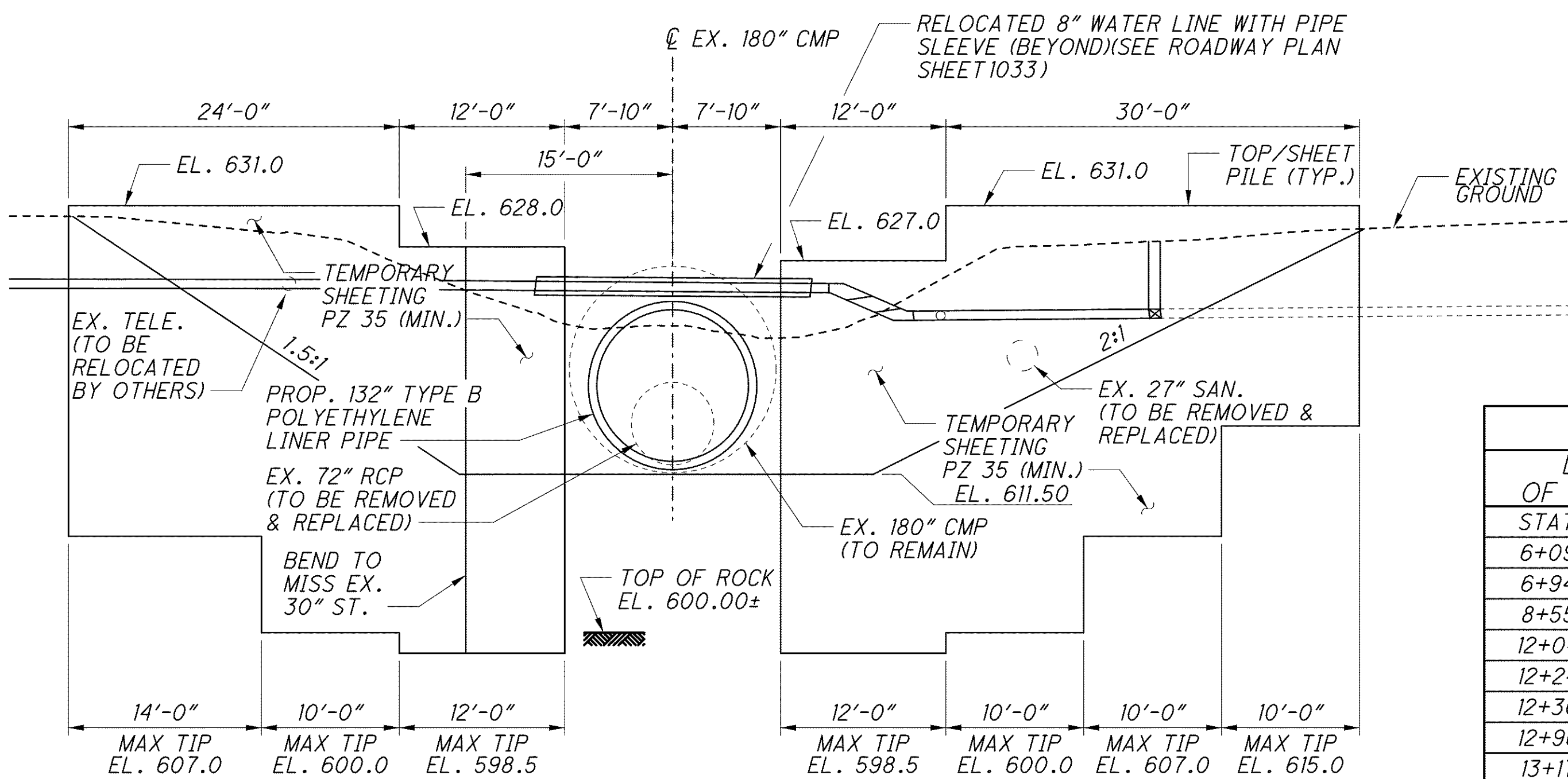


**TYPICAL SECTION**  
120" CMP LINED WITH 90" POLYETHYLENE LINER PIPE

BLOCKING TO PREVENT OR CONTROL FLOTATION, AS REQUIRED BY CONTRACTOR'S GROUTING PROCEDURE



**TYPICAL SECTION**  
180" CMP LINED WITH 132" POLYETHYLENE LINER PIPE

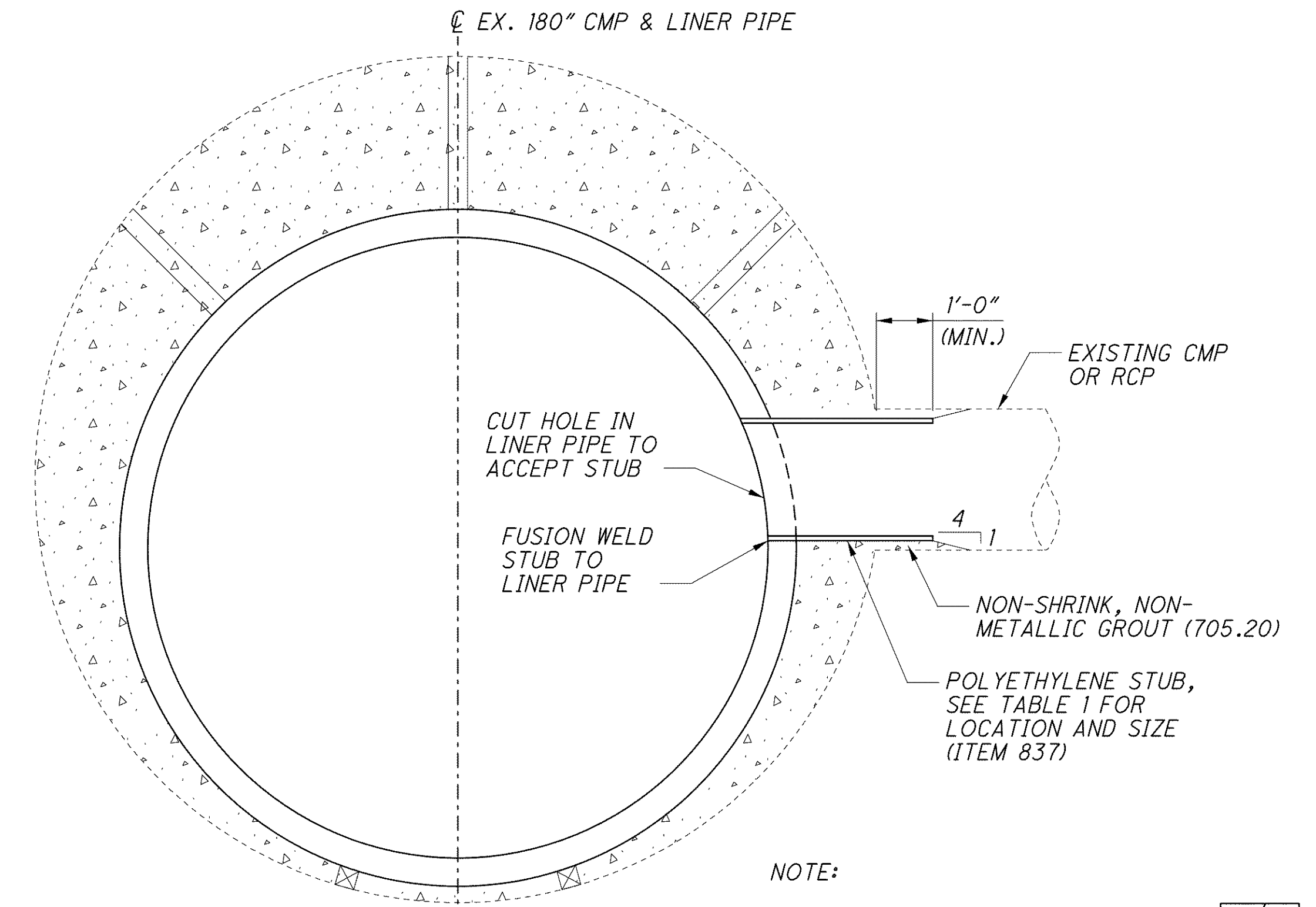


NOTE:  
ROCK IS VERY SOFT SHALE

**SECTION A-A**

**TABLE 1**  
LOCATION AND TYPE OF LATERAL CONNECTIONS

STATION	OFFSET	TYPE
6+09.00	LT.	30" RCP
6+94.00	LT.	30" CMP
8+55.40	RT.	24" RCP
12+04.00	LT.	66" RCP
12+24.00	RT.	12" RCP
12+30.00	LT.	27" RCP
12+96.00	LT.	12" RCP
13+17.00	RT.	30" RCP
13+39.50	LT.	12" RCP



NOTE:  
FOR ABBREVIATIONS LIST, SEE SHEET 2/11.

**DETAIL AT EXISTING LATERAL CONNECTIONS**  
PAYMENT TO BE MADE UNDER ITEM 604 - DRAINAGE STRUCTURES, MISC. : XX PIPE CONNECTION

j:\LAK\13486\bridge\LAK002\_0395\csheets\02\_0395cmd004.dgn 03-JUL-2008 1:37PM lintn