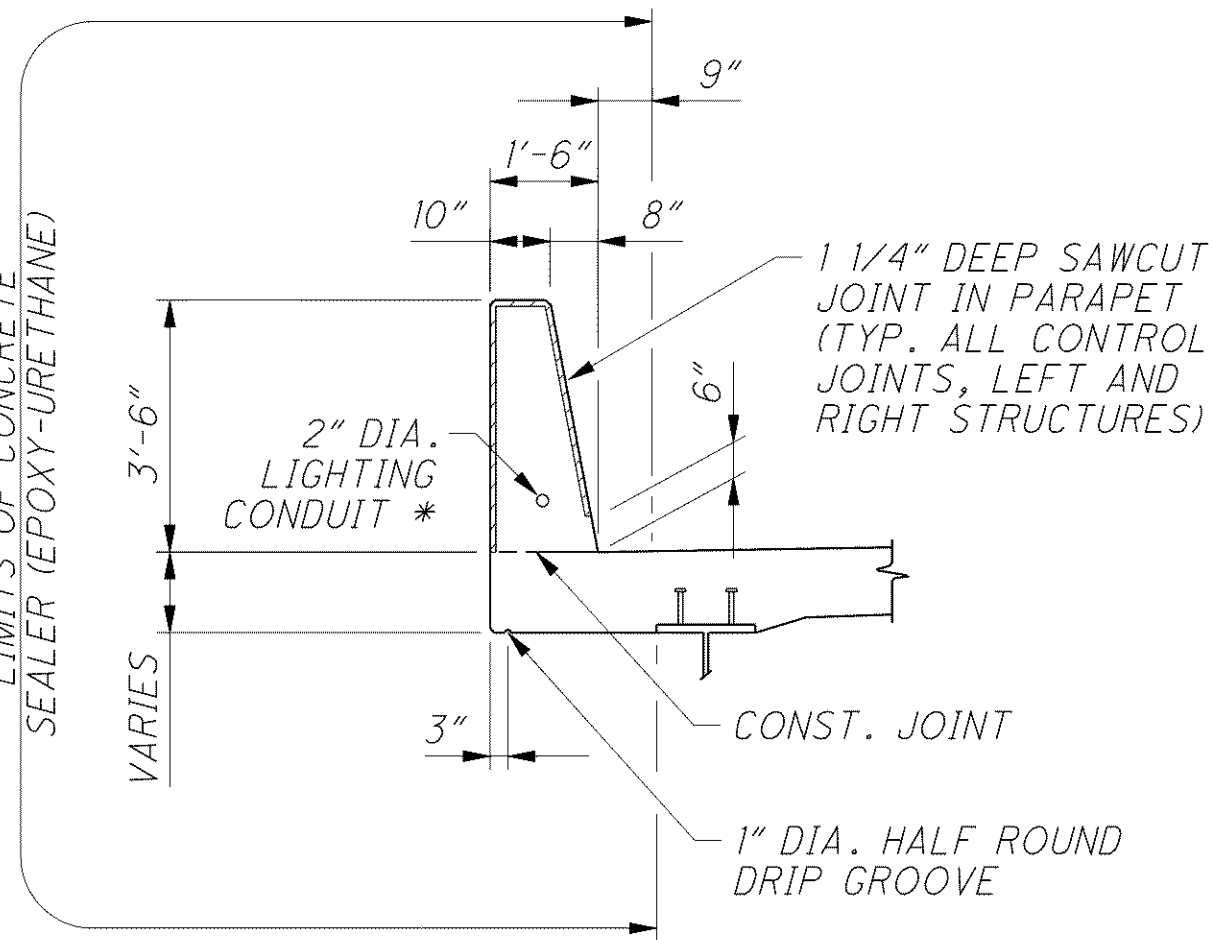
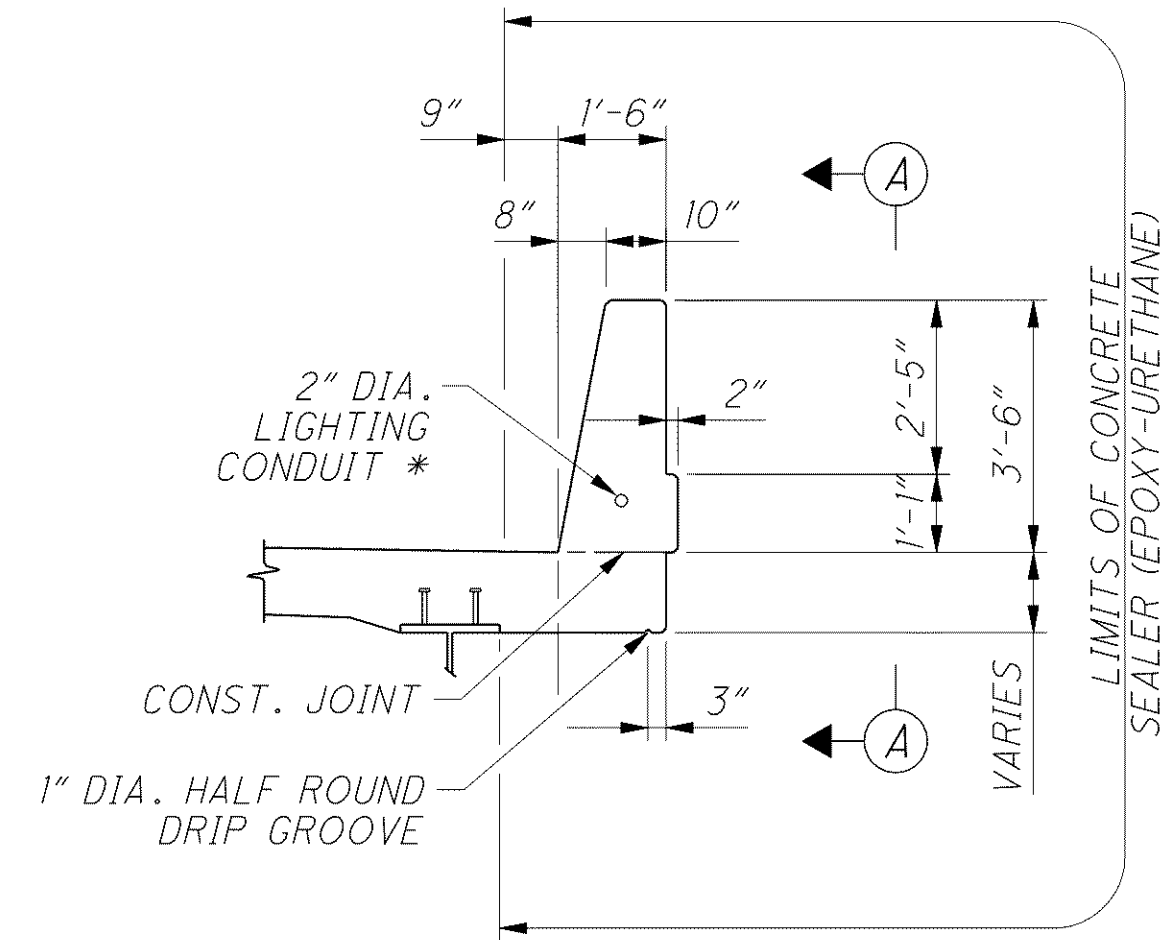


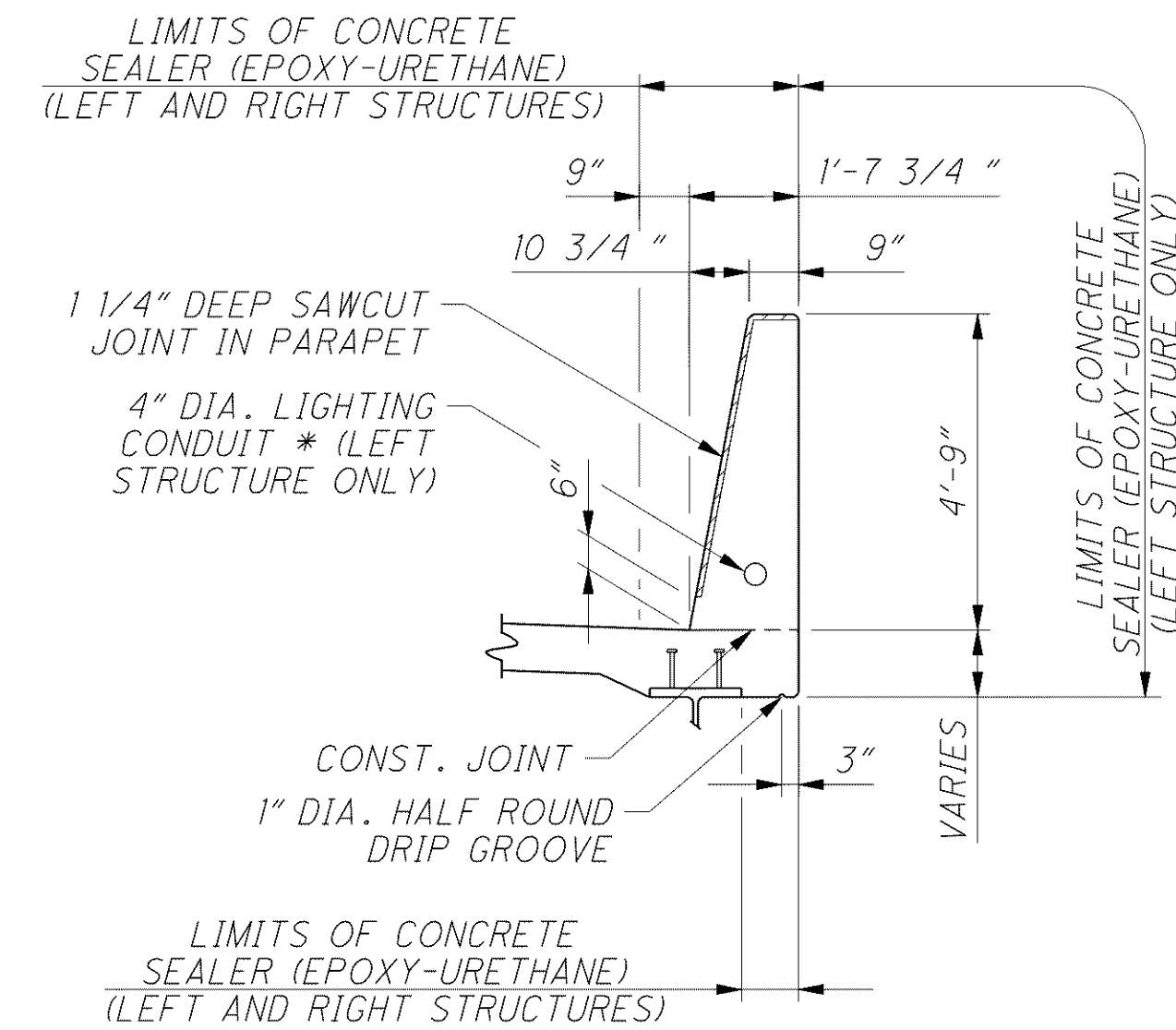
o:\project\cv000048a001\drawing\lak_13486\bridge\ok002_0363\TS001.dgn 6/24/2008 3:59:22 PM troxberry



DEFLECTOR PARAPET DETAIL (LEFT STRUCTURE)
(NOISE WALL NOT SHOWN)



DEFLECTOR PARAPET DETAIL (RIGHT STRUCTURE)



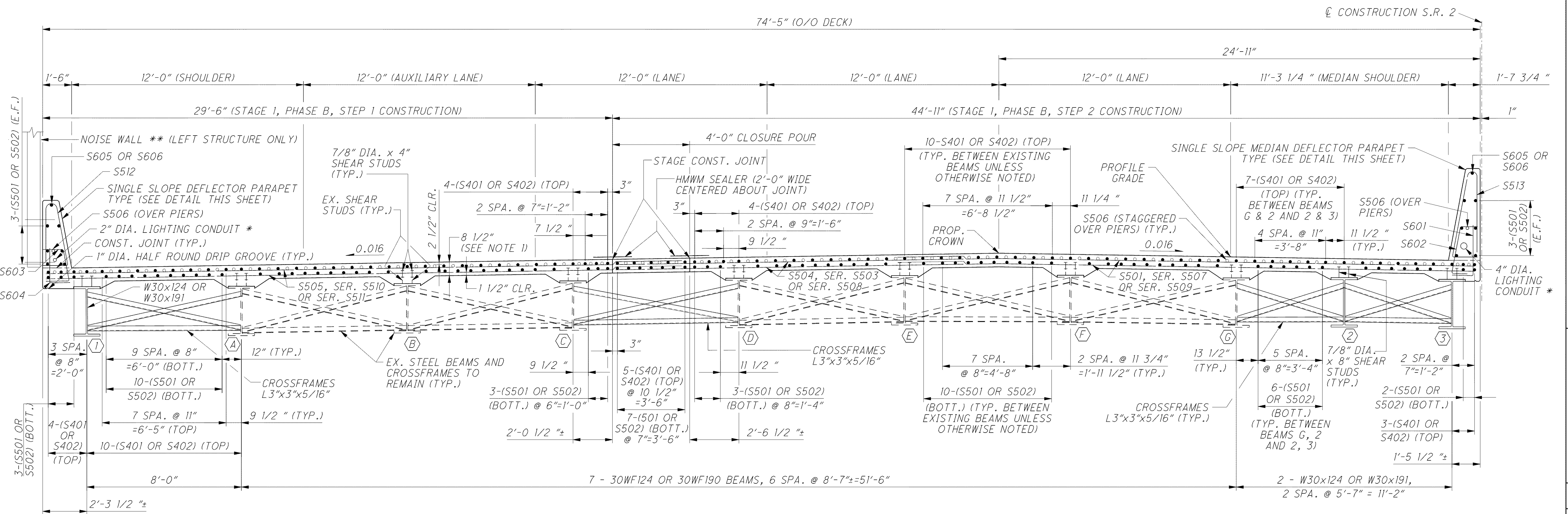
MEDIAN DEFLECTOR PARAPET DETAIL

NOTES:

1. THE QUANTITY OF DECK SLAB CONCRETE TO BE PAID FOR SHALL BE BASED ON THE MINIMUM REQUIRED SLAB THICKNESS OF 8 1/2". THE QUANTITY OF CONCRETE REQUIRED SHALL BE BASED ON AN AVERAGE HAUNCH OF 3 3/8", EVEN THOUGH DEVIATION FROM THAT DEPTH MAY BE NECESSARY BECAUSE THE TOP FLANGE OF THE EXISTING BEAMS MAY NOT BE PARALLEL TO THE FINISHED GRADE. ACTUAL HAUNCH DEPTHS MAY VARY. THE ESTIMATE ASSUMES A CONSTANT HAUNCH WIDTH OUTSIDE THE EDGE OF EACH BEAM FLANGE OF 9 INCHES. THE ALLOWABLE TOLERANCE FOR THE HAUNCH WIDTH OUTSIDE THE EDGE OF EACH BEAM FLANGE IS ±3 INCHES.
2. MINIMUM BAR LAPS ARE AS FOLLOWS:
#4 BARS = 23" #5 BARS = 29" #6 BARS = 52"
3. DRIP GROOVES SHALL TERMINATE 2'-6" FROM FACE OF ABUTMENTS.
4. FOR SCREED ELEVATIONS, SEE SHEET 33144.
5. FOR DECK SLAB PLAN AND ADDITIONAL DETAILS AND NOTES, SEE SHEETS 31144 THRU 33144.
6. FOR FRAMING PLAN AND SHEAR STUD DETAILS SEE SHEETS 21144 AND 22144.
7. FOR DECK SLAB DEPTH TABLE, SEE SHEET 30144.
8. FOR NOISE WALL DETAILS SEE SHEET 976 OF 1679.

LEGEND

- * - INCLUDE WITH LIGHTING QUANTITIES FOR PAYMENT
- ** - INCLUDE WITH ROADWAY QUANTITIES FOR PAYMENT



TRANSVERSE SECTION (LEFT STRUCTURE)

DESIGN AGENCY: ARCADIS U.S., Inc. 100 Superior Avenue, Suite 1250 Cleveland, Ohio 44114 Tel: 216-781-8177 Fax: 216-781-8243 www.arcadis-us.com

DATE: 5/07
REVIEWED: RBB
DRAWN: MPB
DESIGNED: SKS
CHECKED: CMD

STRUCTURE FILE NUMBER: 4300483(L) 4300513(R)

TRANSVERSE SECTION (LEFT STRUCTURE)
BRIDGE NO. LAK-2-0363 L&R
STATE ROUTE 2 OVER EAST 361 st STREET

LAK-2-3.32
PID 13486

29/44
1300
1679