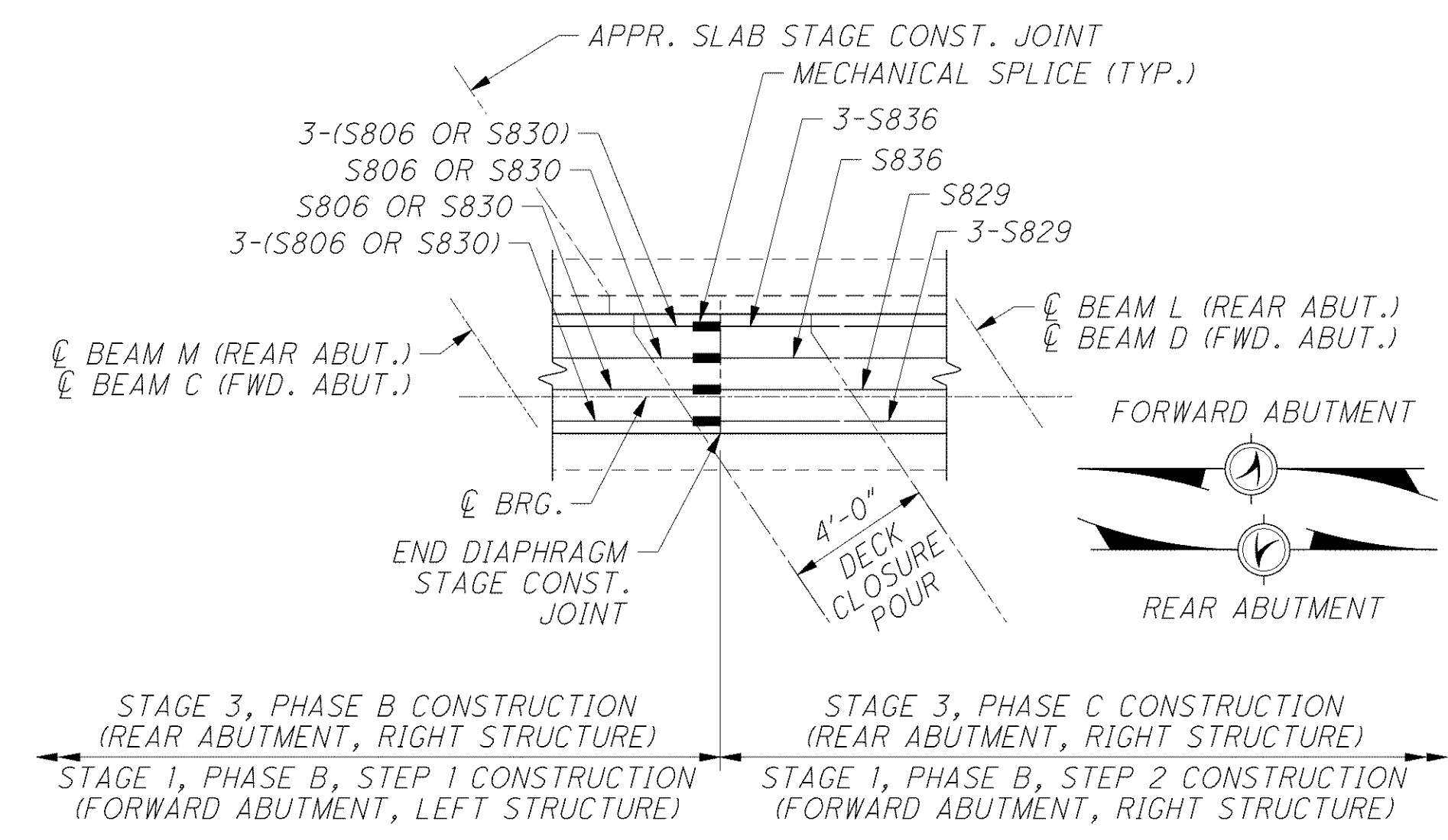
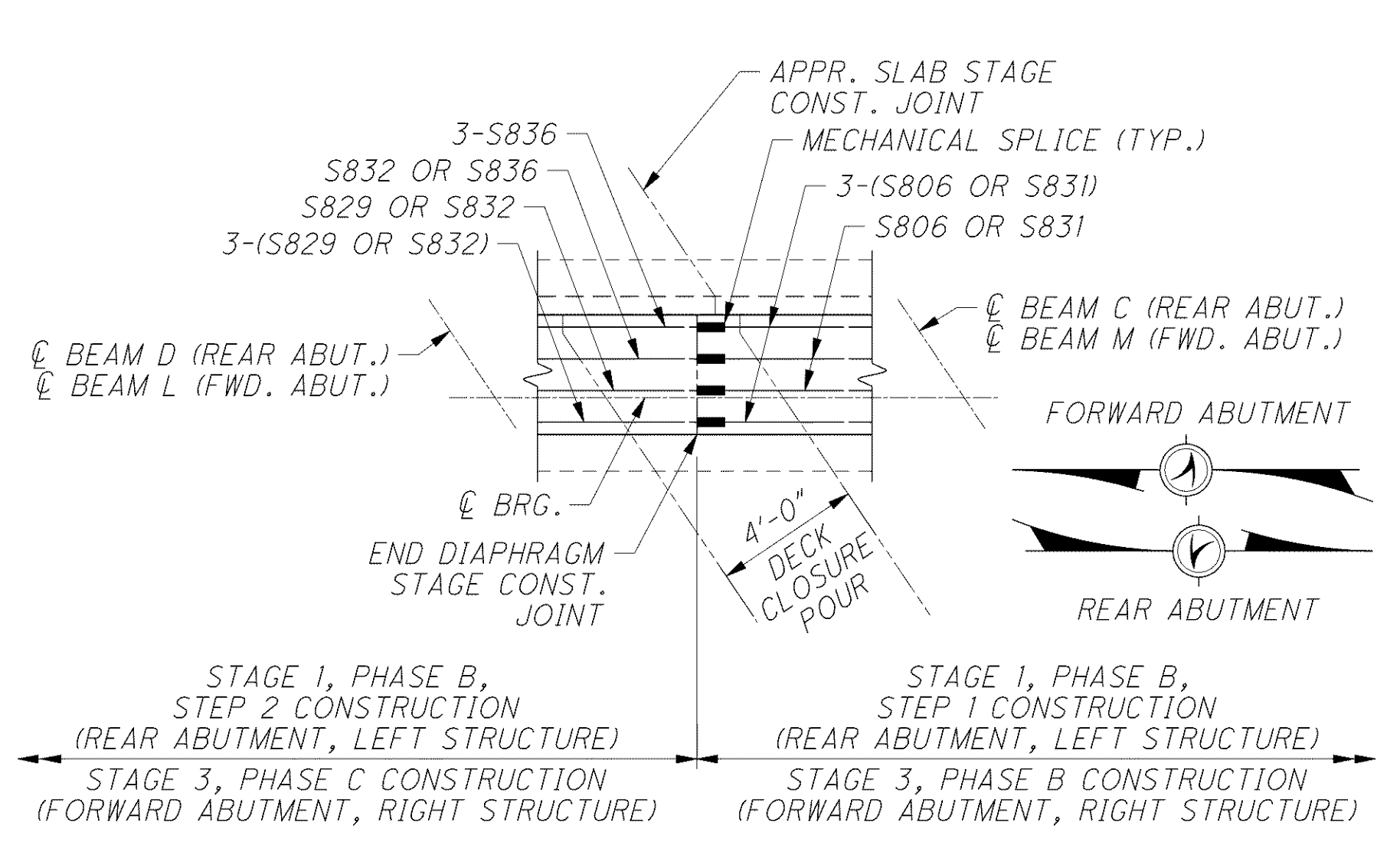
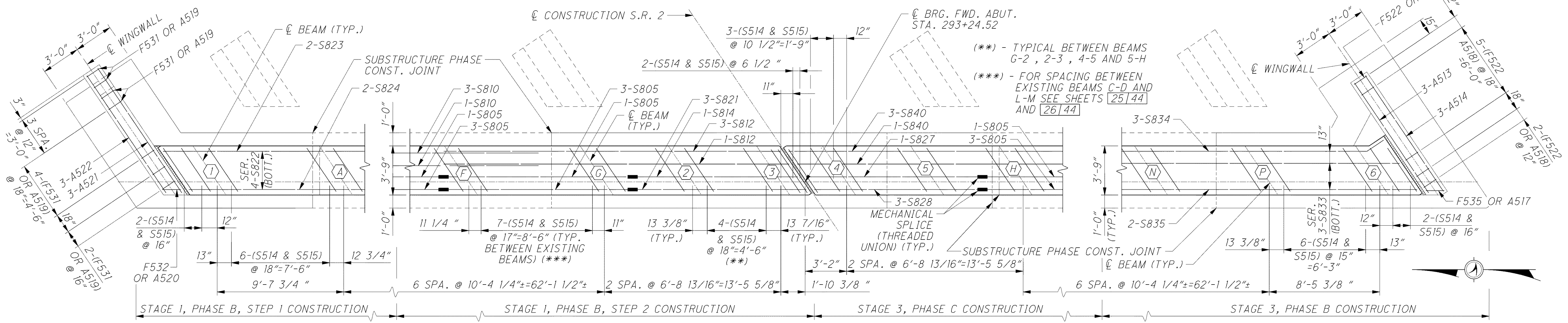


g:\project\cv000048a001\drawing\lak\13486\bridge\lak002_03631\sheets\002_0363\CD008.dgn 6/24/2008 3:56:56 PM troxberry



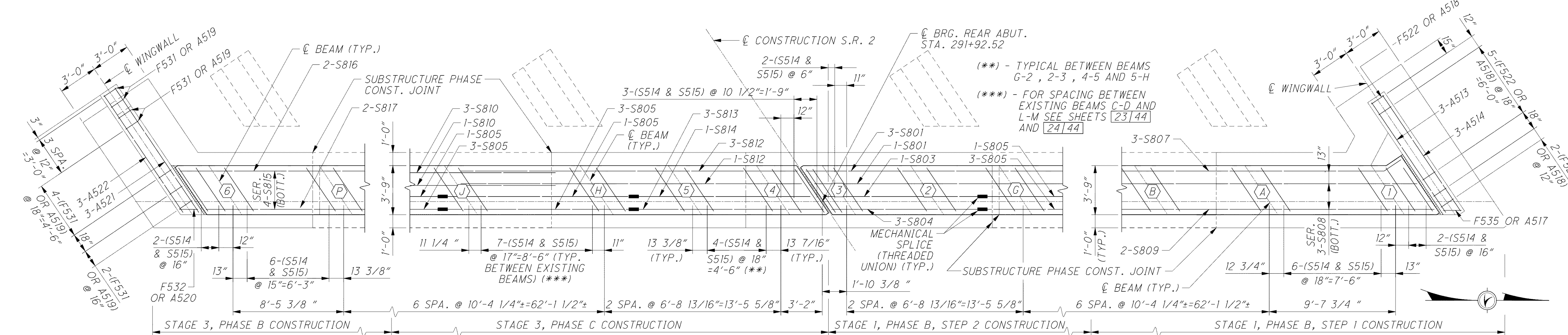
- NOTES**
1. MINIMUM BAR LAPS ARE AS FOLLOWS: #8 BARS = 87"
 2. FOR ABUTMENT DETAILS, AND NOTES SEE SHEETS 21|47 THRU 25|47.
 3. FOR SLAB PLAN, TRANSVERSE SECTION AND ADDITIONAL DETAILS AND NOTES, SEE SHEETS 38|47 THRU 40|47.
 4. FOR APPROACH SLAB DETAILS SEE SHEETS 41|47 THRU 43|47.
 5. PREFORMED EXPANSION JOINT FILLER AND EXPANDED POLYSTYRENE FILLER SHALL BE INCLUDED WITH ITEM 511, CLASS HP CONCRETE, BRIDGE DECK, AS PER PLAN, FOR PAYMENT.
 6. NEOPRENE WATERPROOFING, 3 FEET WIDE SHALL EXTEND FROM APPROACH SLAB DOWN TO THE BOTTOM OF HORIZONTAL NEOPRENE WATERPROOFING.
 7. FOR ADDITIONAL SEMI-INTEGRAL ABUTMENT DETAILS AND NOTES SEE O.D.O.T. STD. DWG. SICD-1-96.
 8. PLACE THE CONCRETE IN THE ABUTMENT DIAPHRAGM ENCASING STRUCTURAL STEEL MEMBERS OF AN INDIVIDUAL PHASE WITH THE DECK POUR TO ALLOW FOR EXPECTED DEAD LOAD ROTATION AT THE ABUTMENTS. THE DIAPHRAGM CONCRETE IN EACH STAGE OF CONSTRUCTION SHALL BE POURED WITH THE RESPECTIVE DECK POUR AND NOT WITH THE DECK CLOSURE POUR. HENCE, THERE WILL BE A CONSTRUCTION JOINT BETWEEN THE DECK CLOSURE POUR AND THE DIAPHRAGM BELOW.

STAGE CONSTRUCTION JOINT DETAILS
(VERTICAL REINFORCING NOT SHOWN)



SECTION G-G

SECTION H-H



SECTION D-D

SECTION C-C

DESIGN AGENCY: **ARCADIS**
ARCADIS U.S., Inc.
100 Superior Avenue, Suite 1250 Cleveland, Ohio 44114
Tel: 216-781-6177 Fax: 216-781-6243 www.arcadis-us.com

DATE	5/07
REVIEWED	RBB
DESIGNED	SKS
DRAWN	MPB
CHECKED	CMD
STRUCTURE FILE NUMBER	4300483(L) 4300513(R)

ABUTMENT DIAPHRAGM DETAILS
BRIDGE NO. LAK-2-0363 L&R
STATE ROUTE 2 OVER EAST 361 ST STREET

LAK-2-3.32
PID 13486

27/44

1298
1679