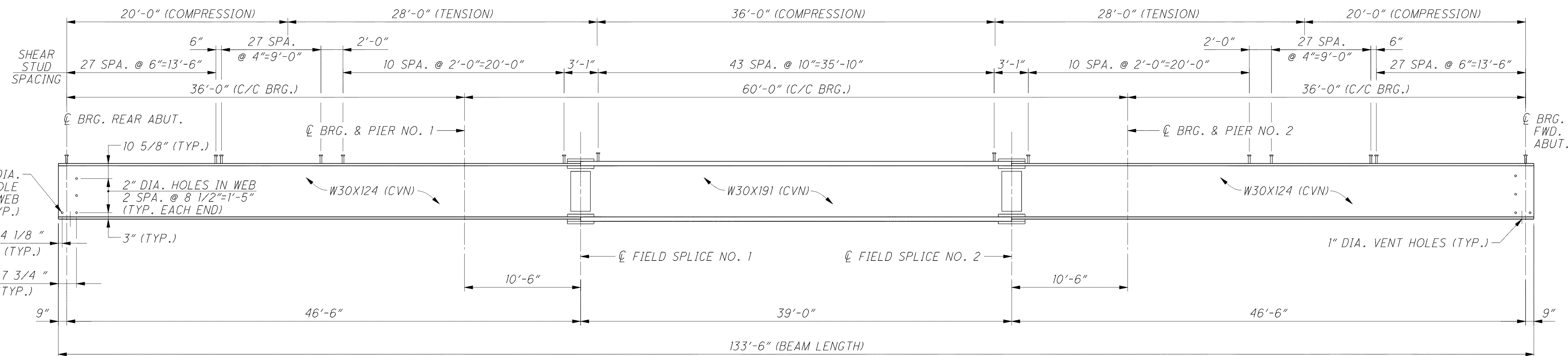
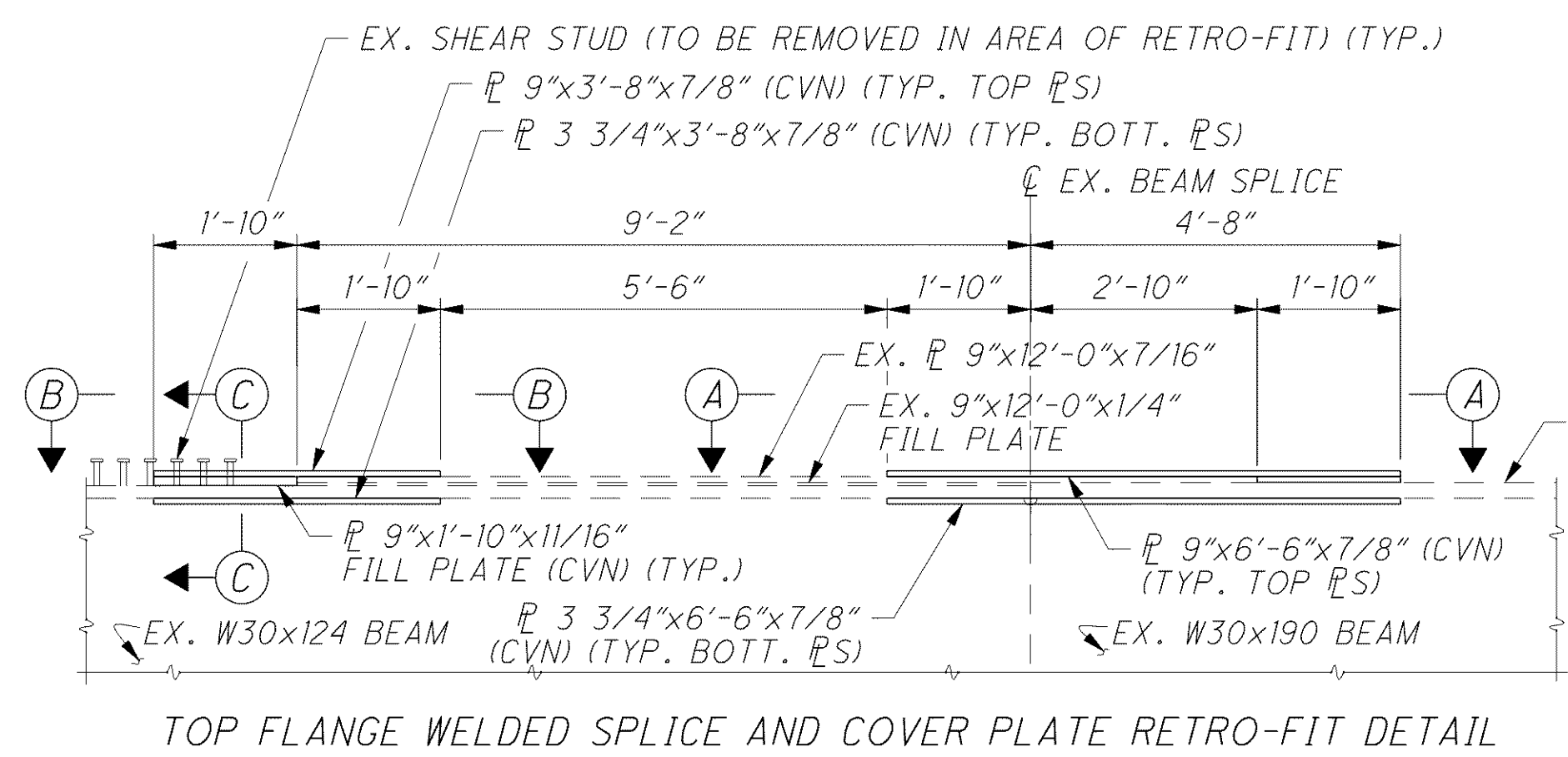


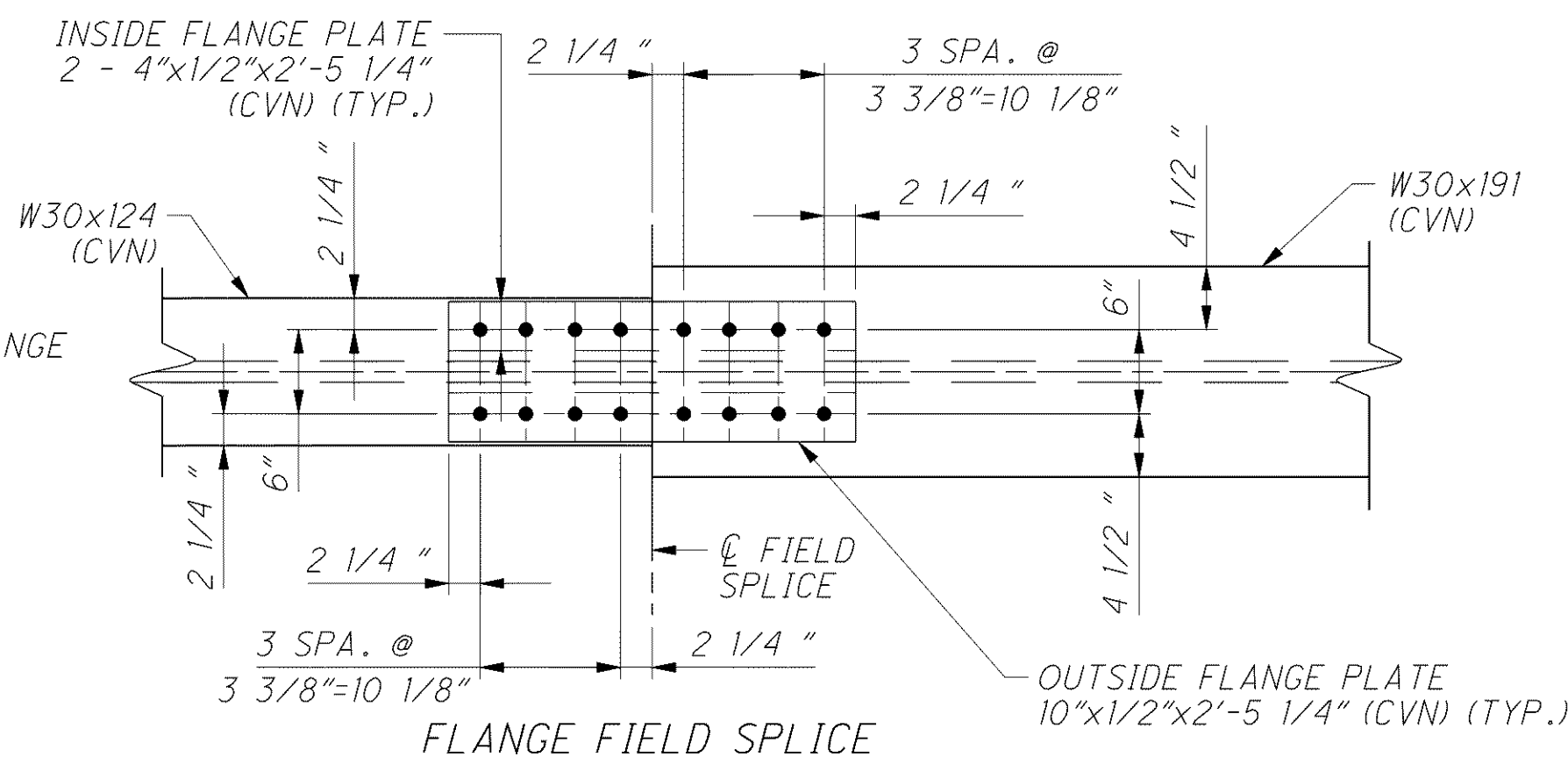
C:\Project\CV000048A001\Drawing\LAK\13486\bridge\LAK002_03631\sheets\002_03631SD002.dgn 6/30/2008 6:26:29 PM mbechter



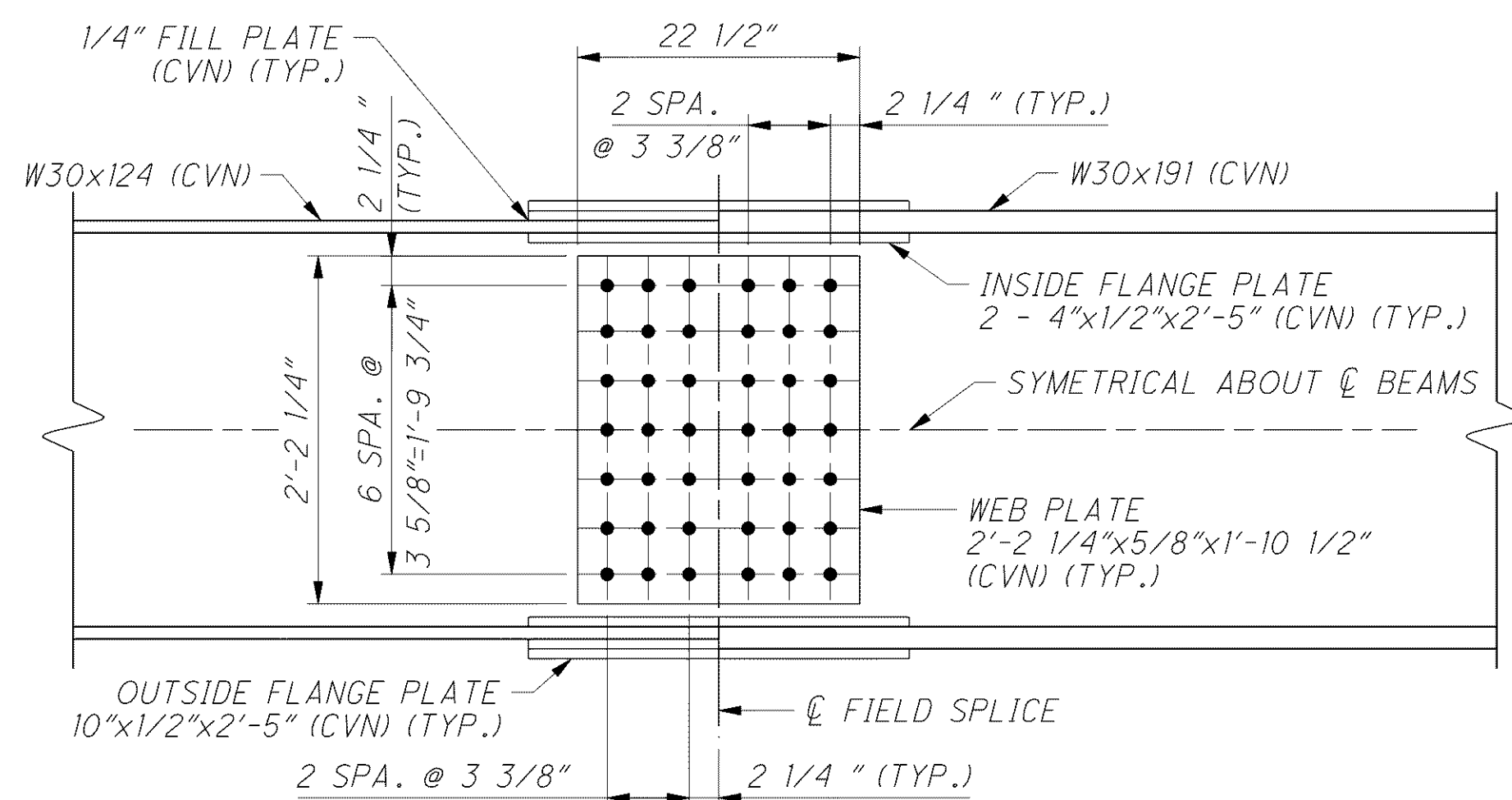
BEAM ELEVATION



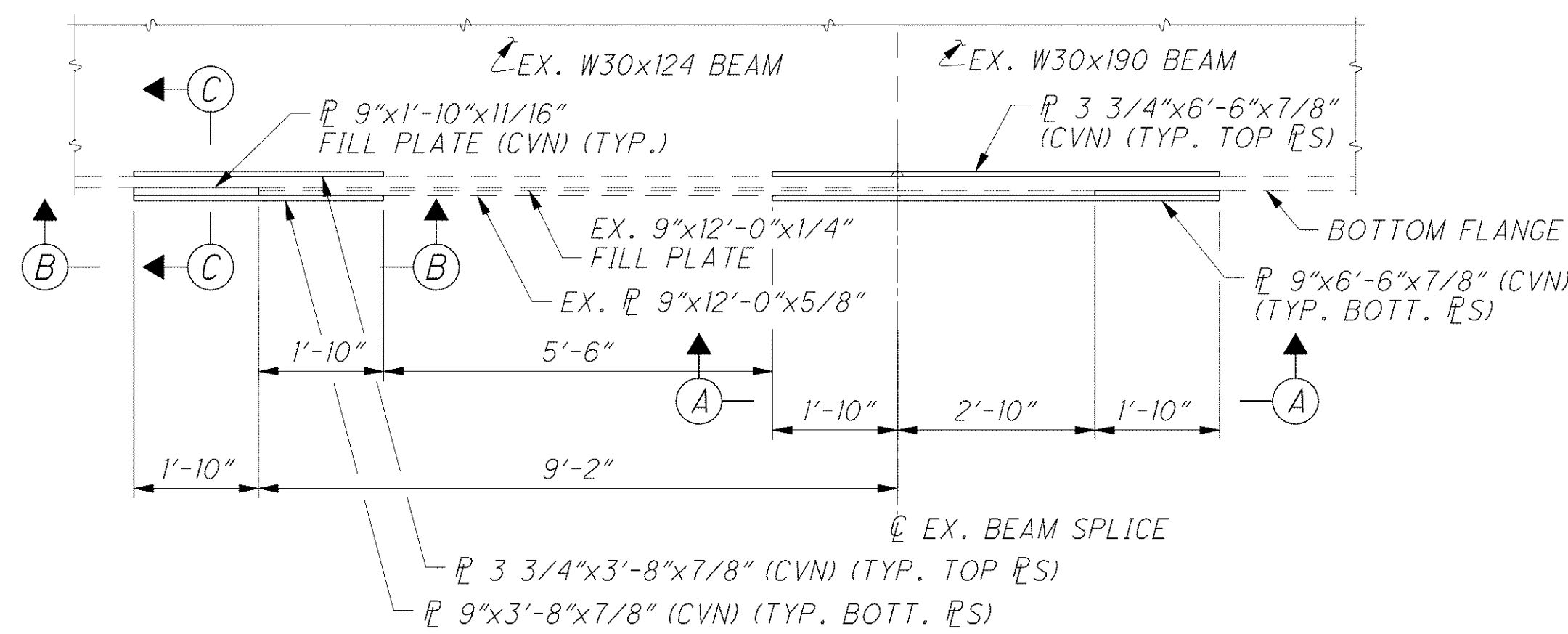
TOP FLANGE WELDED SPLICE AND COVER PLATE RETRO-FIT DETAIL



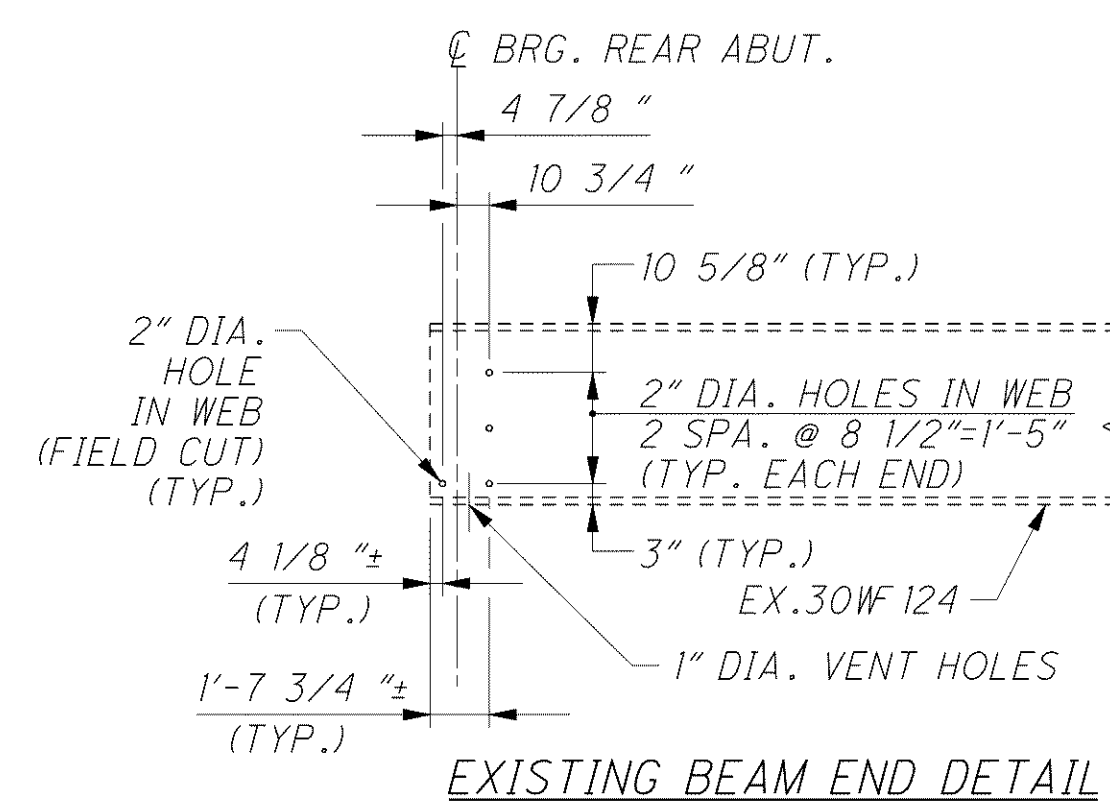
FLANGE FIELD SPLICE



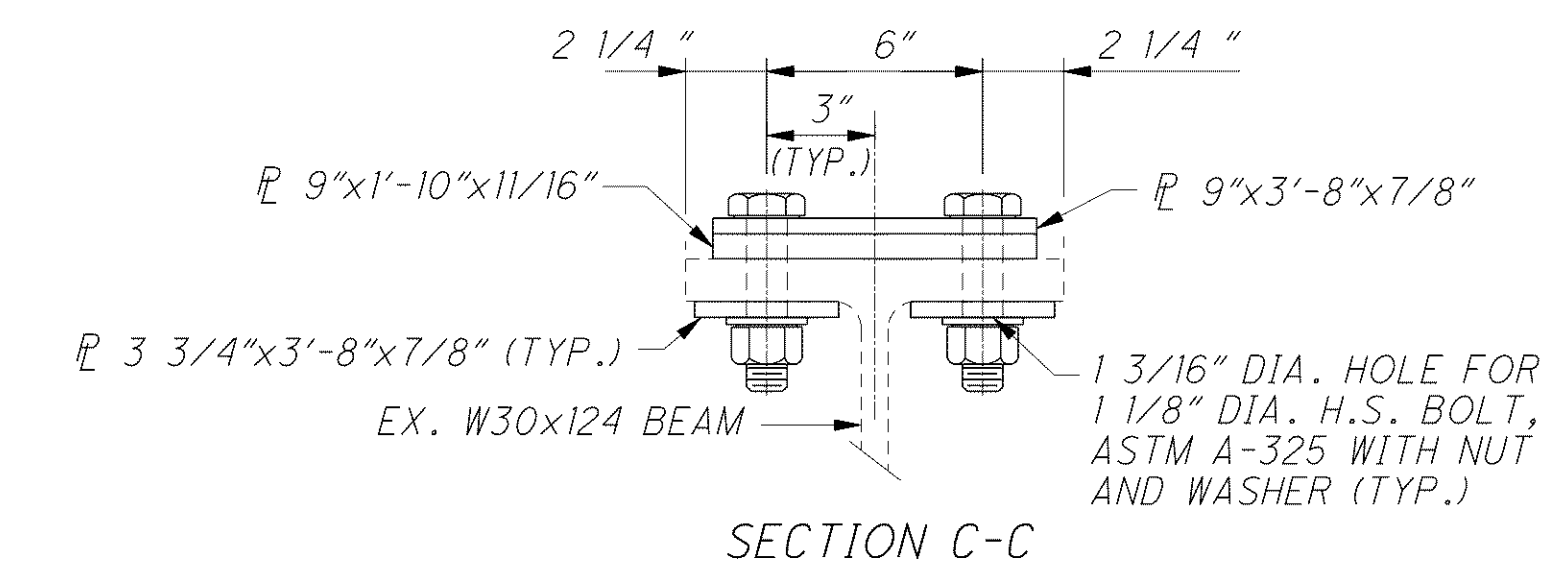
WEB FIELD SPLICE



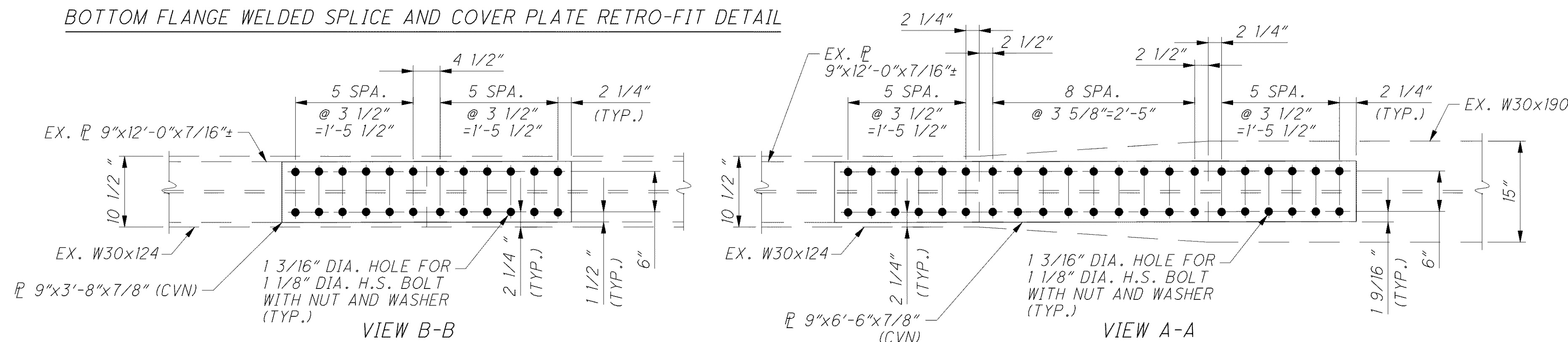
BOTTOM FLANGE WELDED SPLICE AND COVER PLATE RETRO-FIT DETAIL



EXISTING BEAM END DETAIL



SECTION C-C



VIEW B-B

VIEW A-A

NOTES

- 1" DIAMETER VENT HOLES IN THE PROPOSED AND EXISTING FLANGES AND 2" DIAMETER HOLES IN THE PROPOSED AND EXISTING WEB SHALL BE FIELD DRILLED. FLAME CUTTING OF HOLES IS NOT PERMITTED. FLAME CUTTING OF HOLES IS NOT PERMITTED. FIELD DRILLING SHALL BE INCLUDED WITH ITEM 202, PORTIONS OF STRUCTURE REMOVED, OVER 20' SPAN, AS PER PLAN FOR PAYMENT.
- WHERE A PLATE OR SHAPE IS DESIGNATED (CVN) THE MATERIAL SHALL MEET SPECIFIED MINIMUM NOTCH TOUGHNESS REQUIREMENTS AS SPECIFIED IN 711.01 OF THE ODOT CMS.
- BOLTS SHALL BE 1/8" INCH DIAMETER ASTM A325, TYPE I UNLESS OTHERWISE NOTED.
- WELD ATTACHMENT OF SUPPORTS FOR CONCRETE DECK FINISHING MACHINE TO AREAS OF THE FASCIA STRINGER FLANGES DESIGNATED "COMPRESSION". DO NOT WELD ATTACHMENTS TO AREAS DESIGNATED "TENSION". FILLET WELDS TO COMPRESSION FLANGES SHALL BE AT LEAST 1" FROM EDGE OF FLANGE, BE NO MORE THAN 2" LONG, AND BE AT LEAST 1/4" FOR THICKNESSES UP TO 3/4" OR 5/16" FOR GREATER THAN 3/4" THICK.

DESIGN AGENCY: **ARCADIS**
 100 Superior Avenue, Suite 1250 Cleveland, Ohio 44114
 Tel: 216-781-6177 Fax: 216-781-6243 www.arcadis-us.com

DATE: 5/07
 REVISION: RBB
 STRUCTURE FILE NUMBER: 43004831L
 DESIGNED: SKS
 CHECKED: CMD

FRAMING DETAILS
 BRIDGE NO. LAK-2-0363 L&R
 STATE ROUTE 2 OVER EAST 361 ST STREET

LAK-2-3.32
 PID 13486

22/44
 1293
 1679