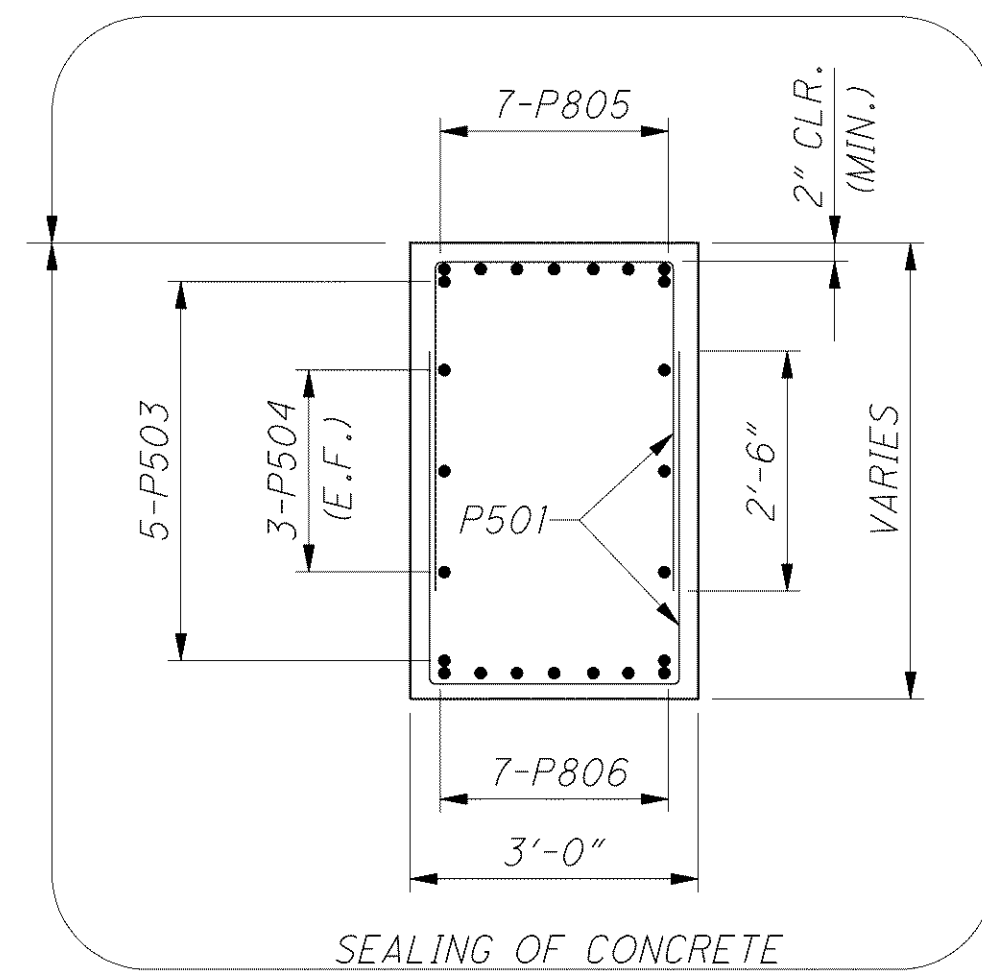


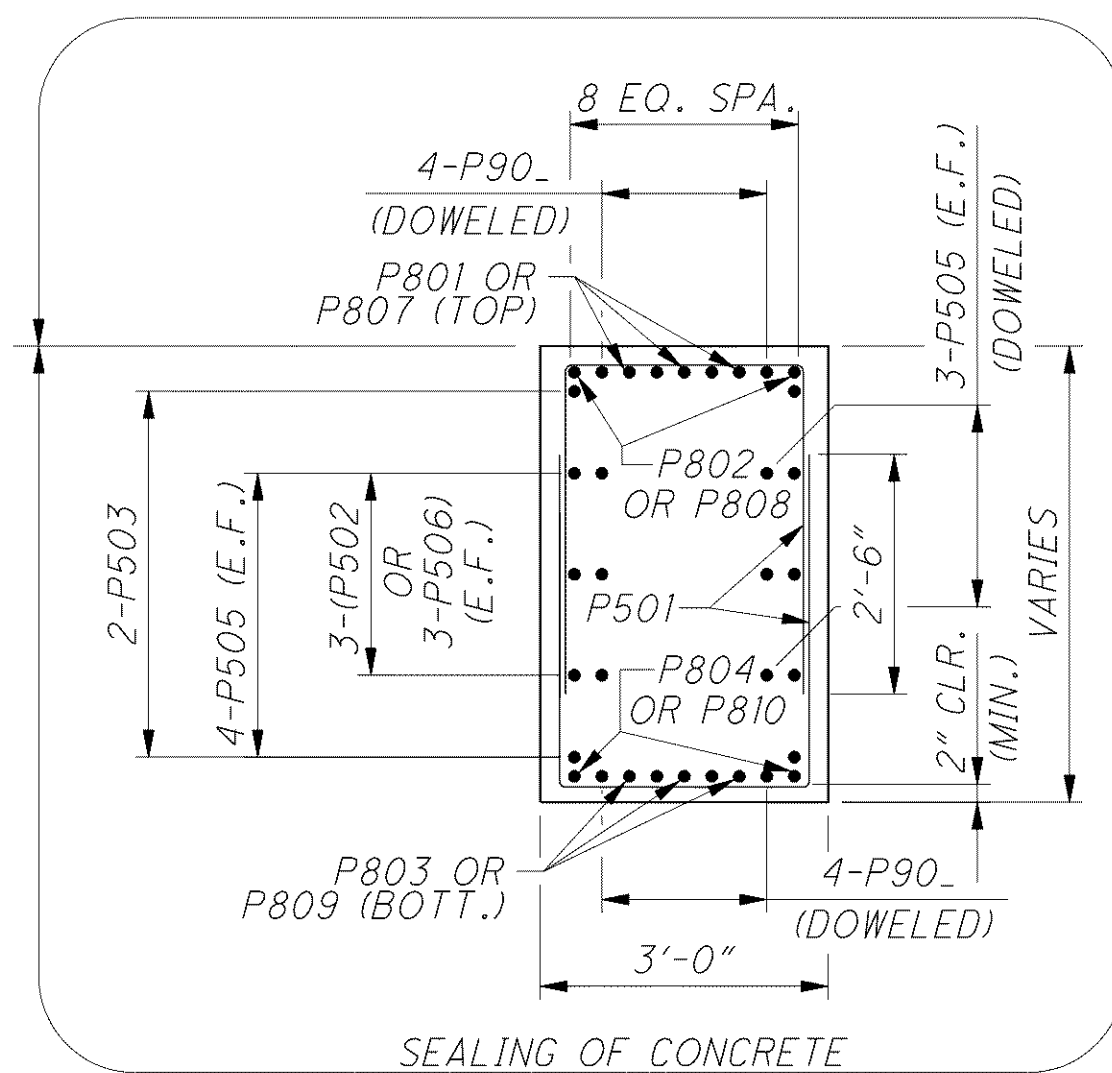
SECTION A-A

(FOR EXTERIOR CAP BARS SEE SECTION C-C ON THIS SHEET)



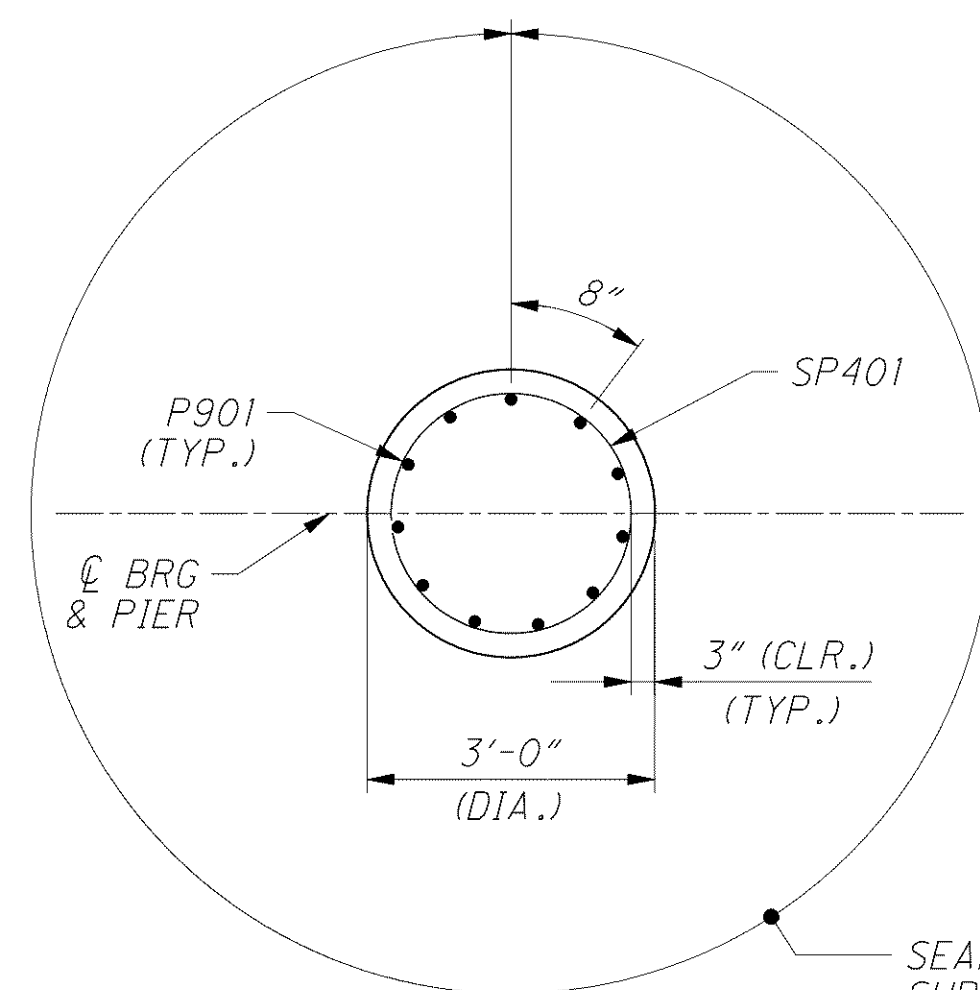
SECTION B-B

SEALING OF CONCRETE SURFACES (EPOXY-URETHANE) (SEE NOTE 4)



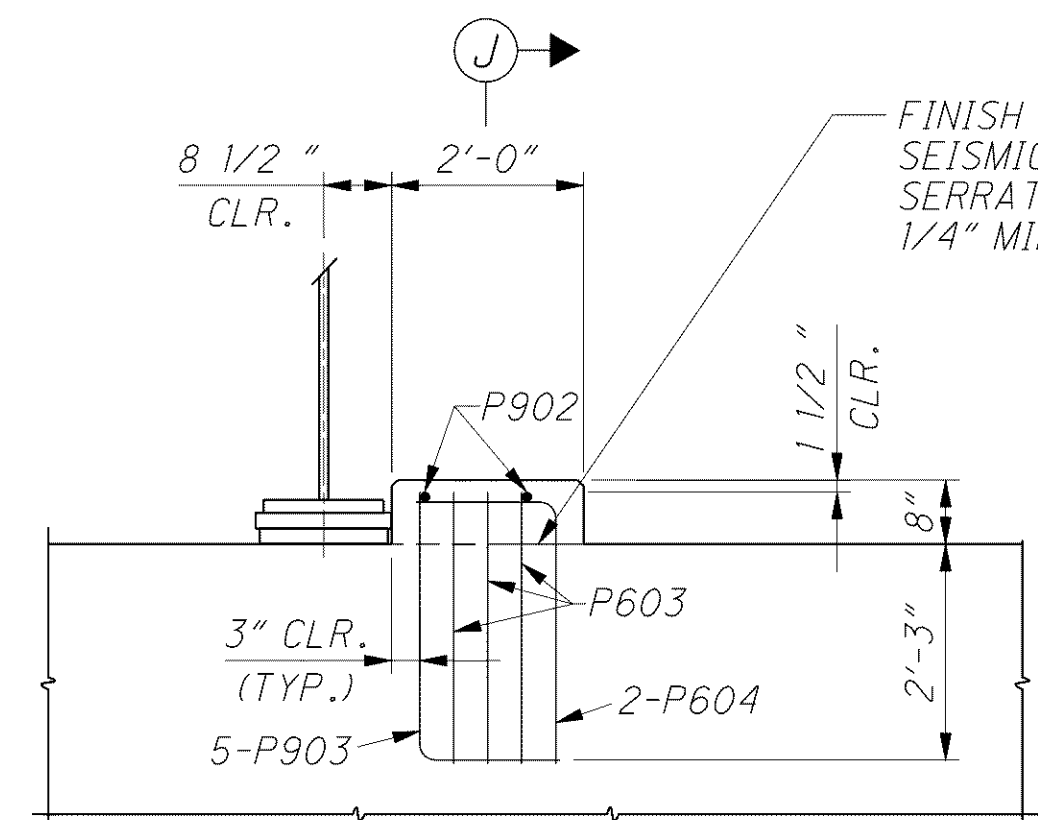
SECTION C-C

SEALING OF CONCRETE SURFACES (EPOXY-URETHANE) (SEE NOTE 4)

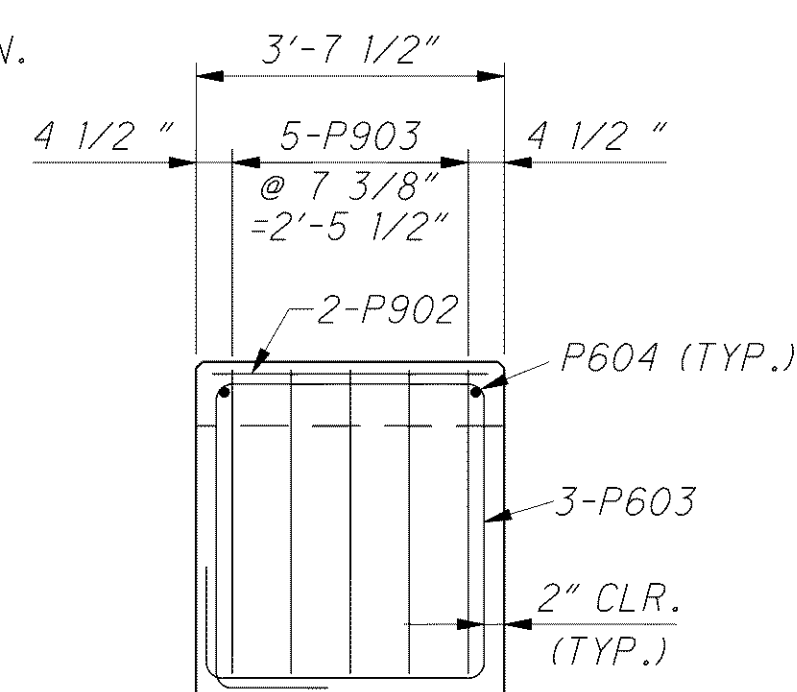


SECTION D-D

SEALING OF CONCRETE SURFACES (EPOXY-URETHANE) (SEE NOTE 4)



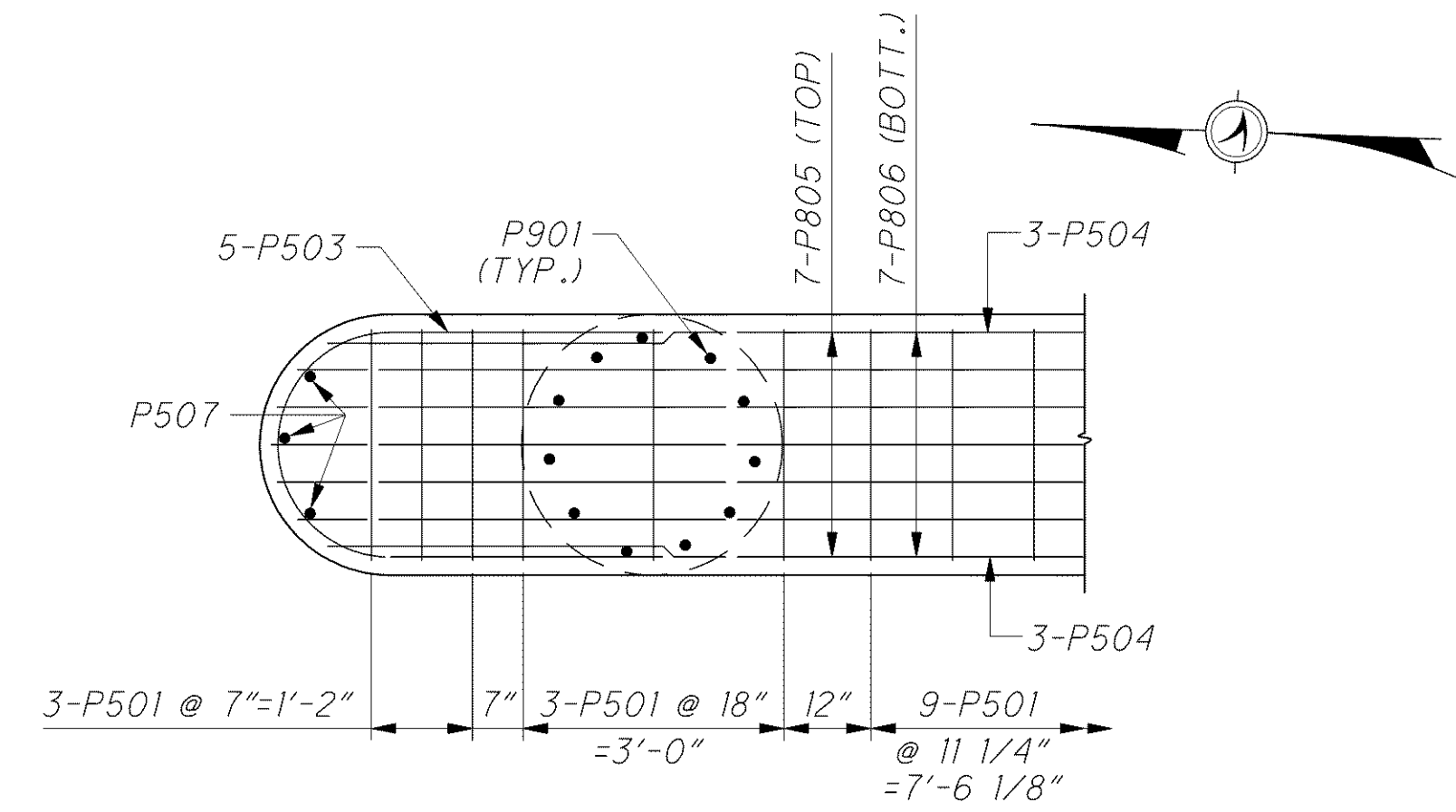
SECTION E-E, SEISMIC PEDESTAL



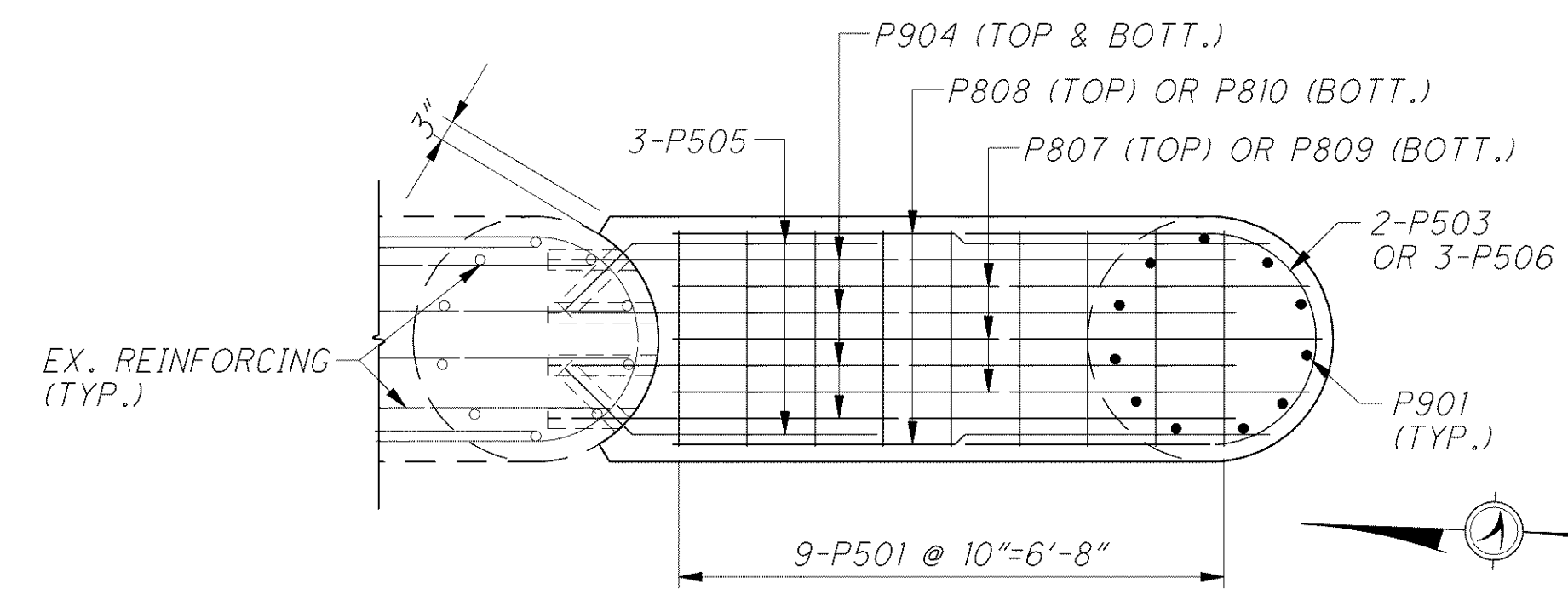
SECTION J-J

NOTES

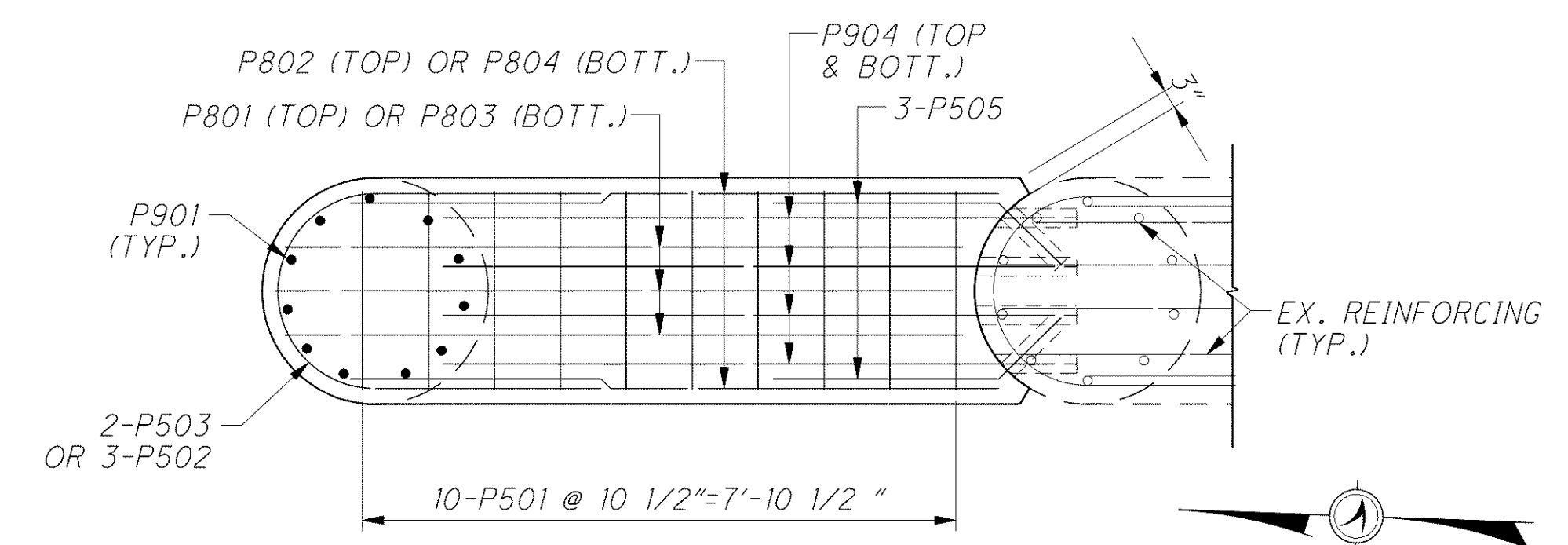
1. FOR ADDITIONAL PIER DETAILS, SEE SHEET 18/44.
2. FOR ABBREVIATIONS SEE SHEET 4/44.
3. MINIMUM BAR LAPS ARE AS FOLLOWS:
#5 BARS = 29" #8 BARS = 87"
4. ALL EXISTING AND PROPOSED CONCRETE SHALL BE SEALED AS SHOWN. THE AREA UNDER THE BEAM SEAT SHALL NOT BE SEALED.



VIEW F-F



VIEW G-G



VIEW H-H