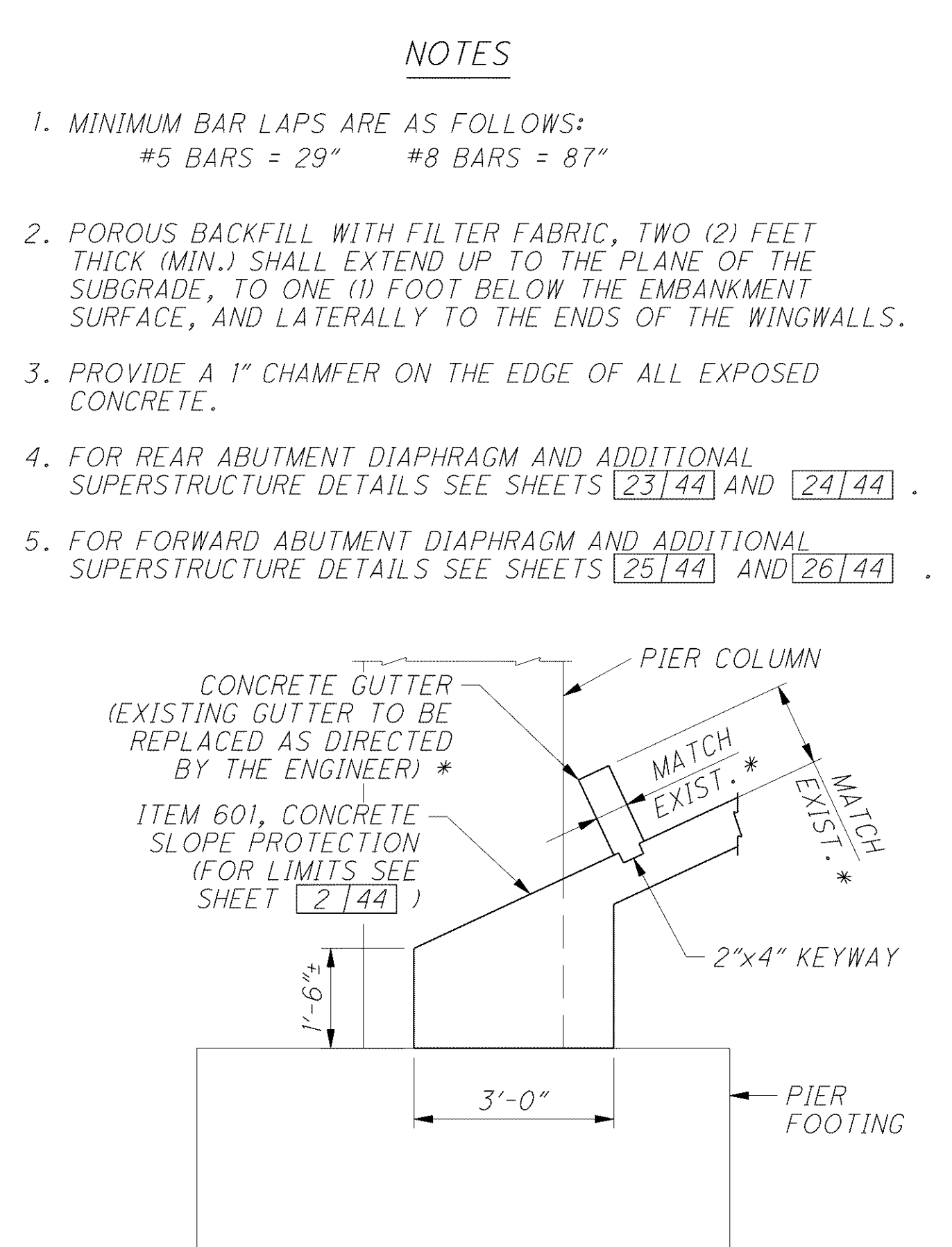
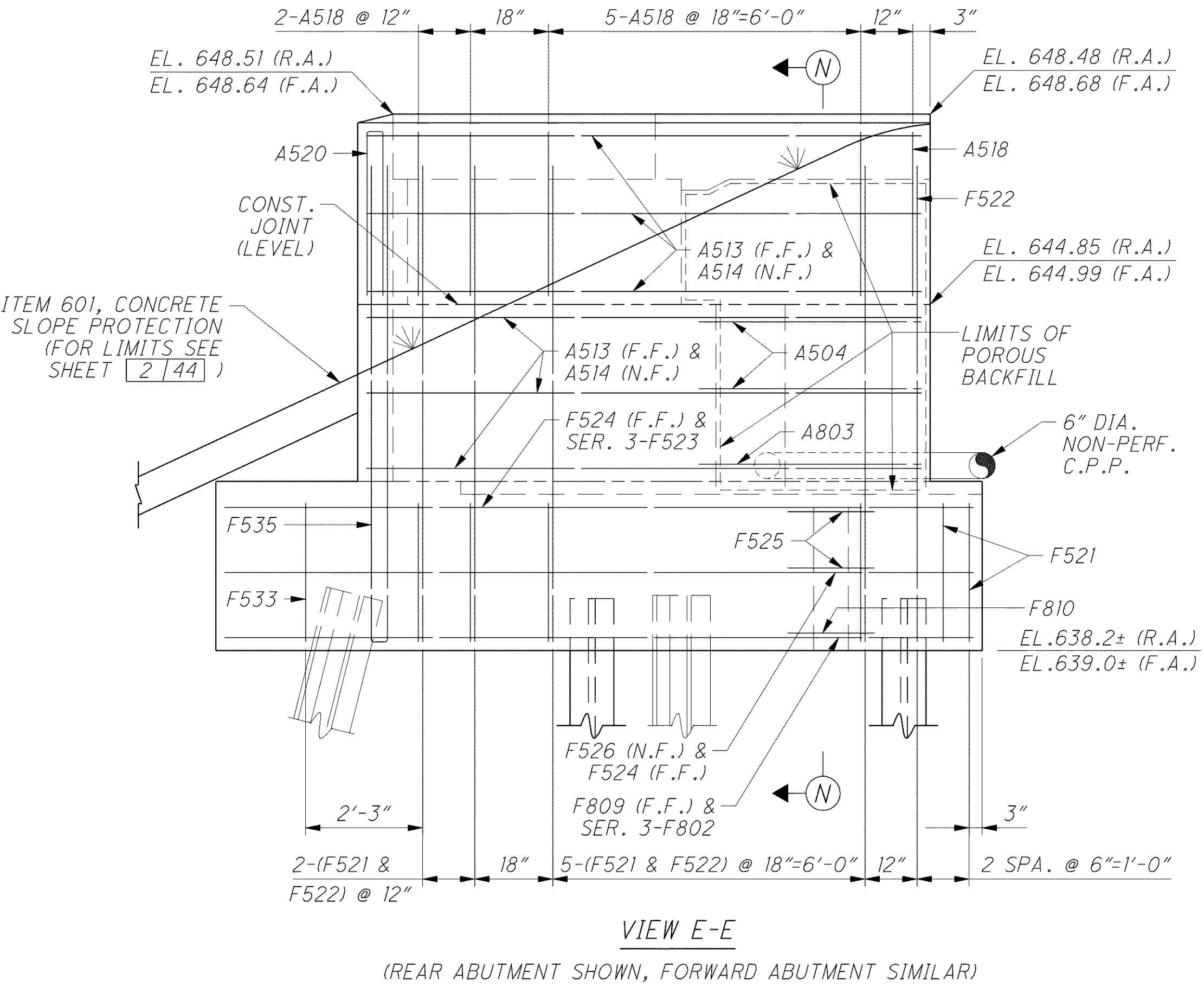
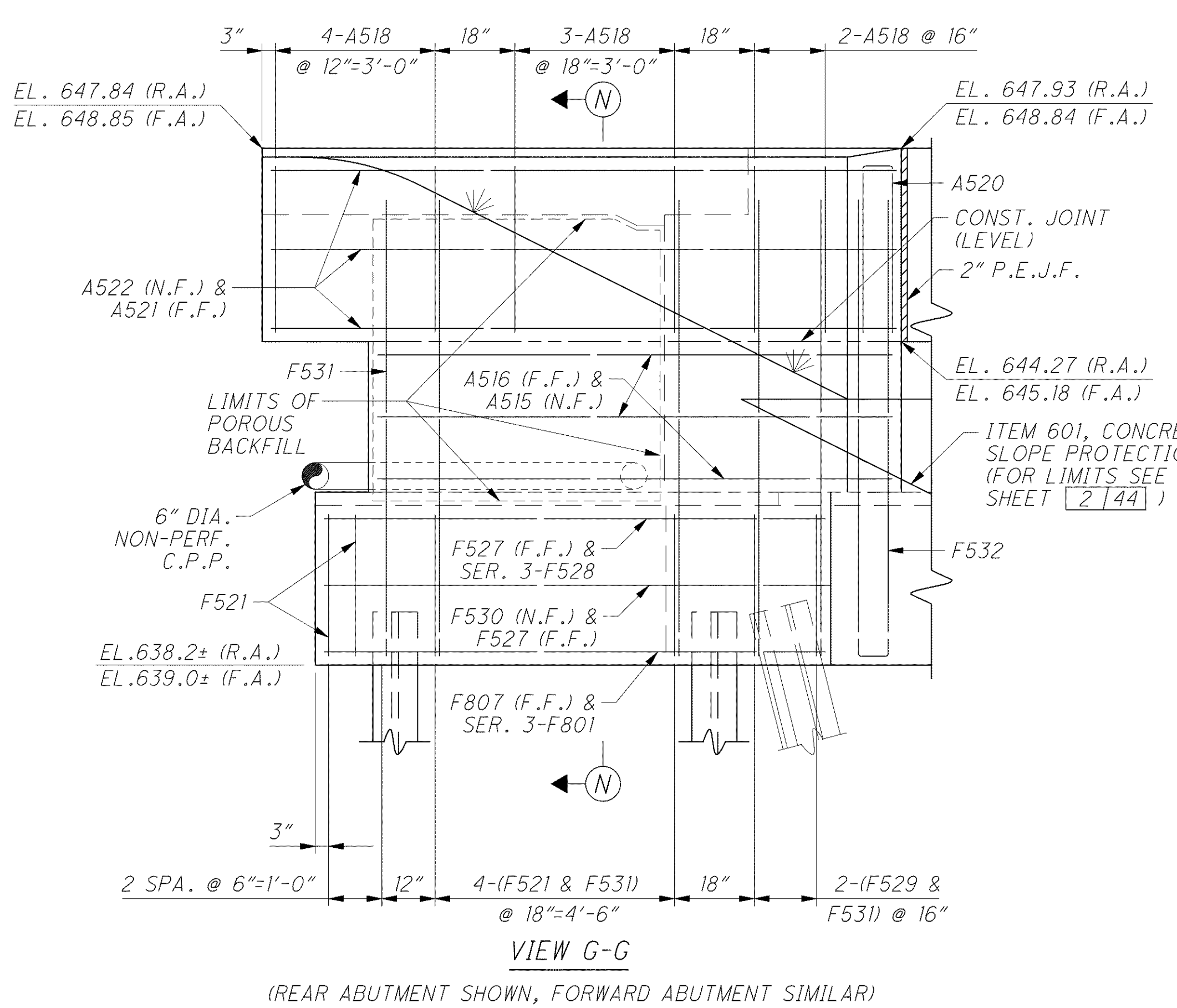
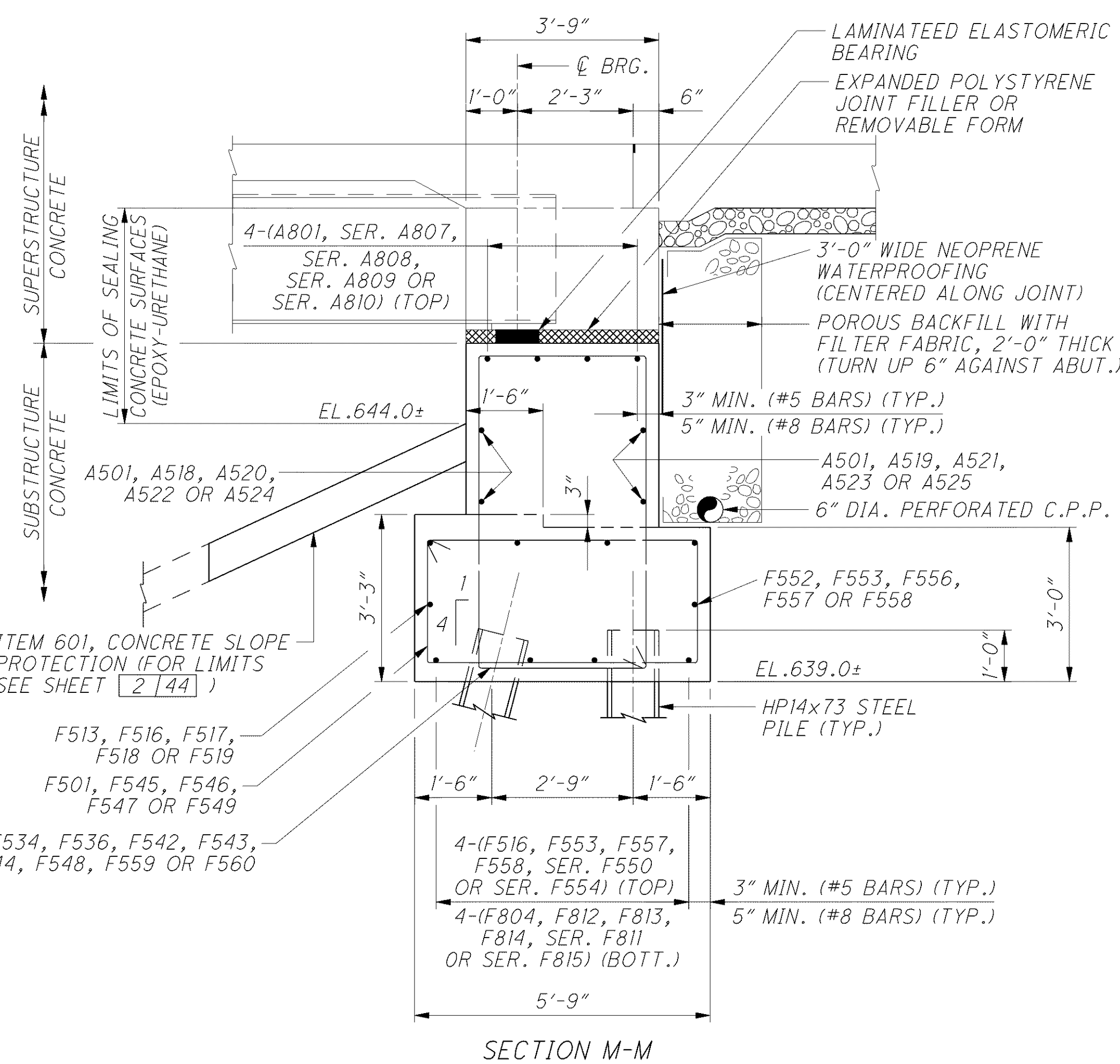
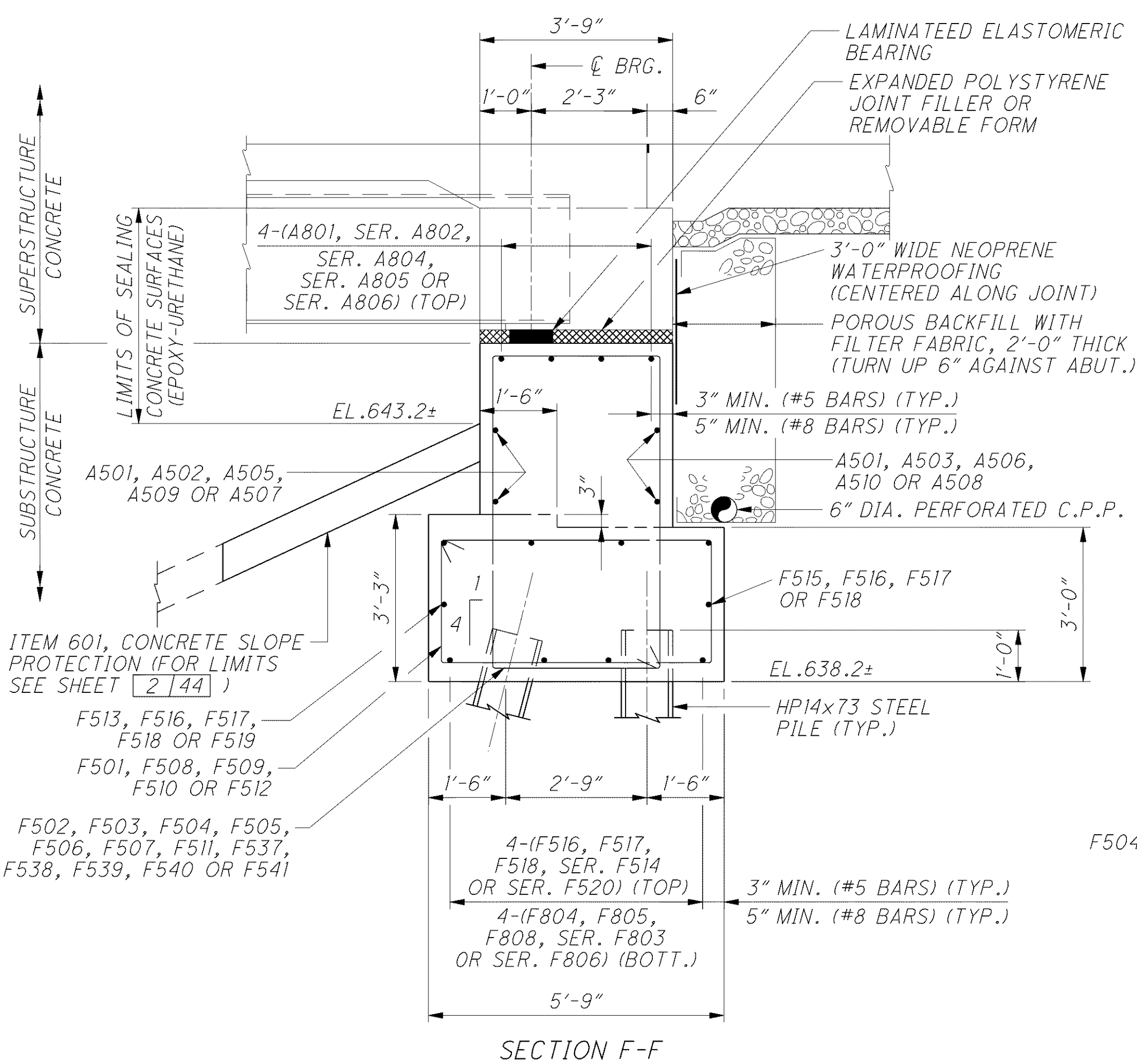
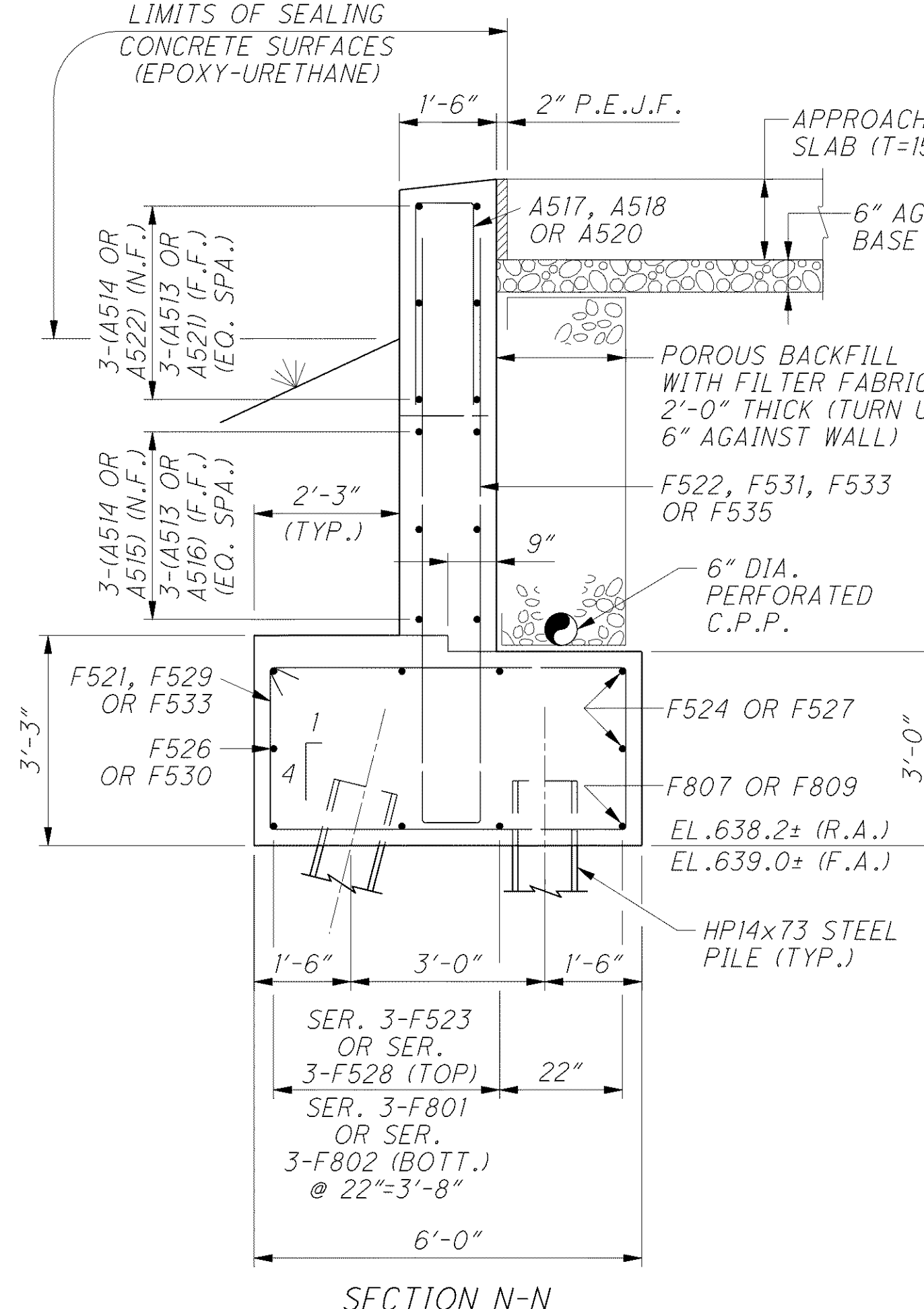


o:\project\c\000048a001\drawing\lak\13486\bridge\002\_0363\AF004.dgn 6/24/2008 3:39:33 PM troxberry  
 o:\project\c\000048a001\drawing\lak\13486\bridge\002\_0363\AF004.dgn sheets\002\_0363\AF004.dgn



CONCRETE SLOPE PROTECTION GUTTER DETAIL  
 \* - INCLUDE WITH CONCRETE SLOPE PROTECTION FOR PAYMENT



- NOTES**
- MINIMUM BAR LAPS ARE AS FOLLOWS:  
#5 BARS = 29" #8 BARS = 87"
  - POROUS BACKFILL WITH FILTER FABRIC, TWO (2) FEET THICK (MIN.) SHALL EXTEND UP TO THE PLANE OF THE SUBGRADE, TO ONE (1) FOOT BELOW THE EMBANKMENT SURFACE, AND LATERALLY TO THE ENDS OF THE WINGWALLS.
  - PROVIDE A 1" CHAMFER ON THE EDGE OF ALL EXPOSED CONCRETE.
  - FOR REAR ABUTMENT DIAPHRAGM AND ADDITIONAL SUPERSTRUCTURE DETAILS SEE SHEETS [23|44] AND [24|44].
  - FOR FORWARD ABUTMENT DIAPHRAGM AND ADDITIONAL SUPERSTRUCTURE DETAILS SEE SHEETS [25|44] AND [26|44].

DESIGN AGENCY: ARCADIS  
 ARCADIS U.S., Inc.  
 100 Superior Avenue, Suite 1250 Cleveland, Ohio 44114  
 Tel: 216-781-8177 Fax: 216-781-8243 www.arcadis-us.com

DESIGNED	SKS	CMD
DRAWN	MPB	REVISED
REVIEWED	RBB	STRUCTURE FILE NUMBER
DATE	5/07	4300483(L) 4300513(R)

ABUTMENT DETAILS  
 BRIDGE NO. LAK-2-0363 L&R  
 STATE ROUTE 2 OVER EAST 361 ST STREET

**LAK-2-3.32**  
**PID 13486**

17 / 44  
 1288  
 1679