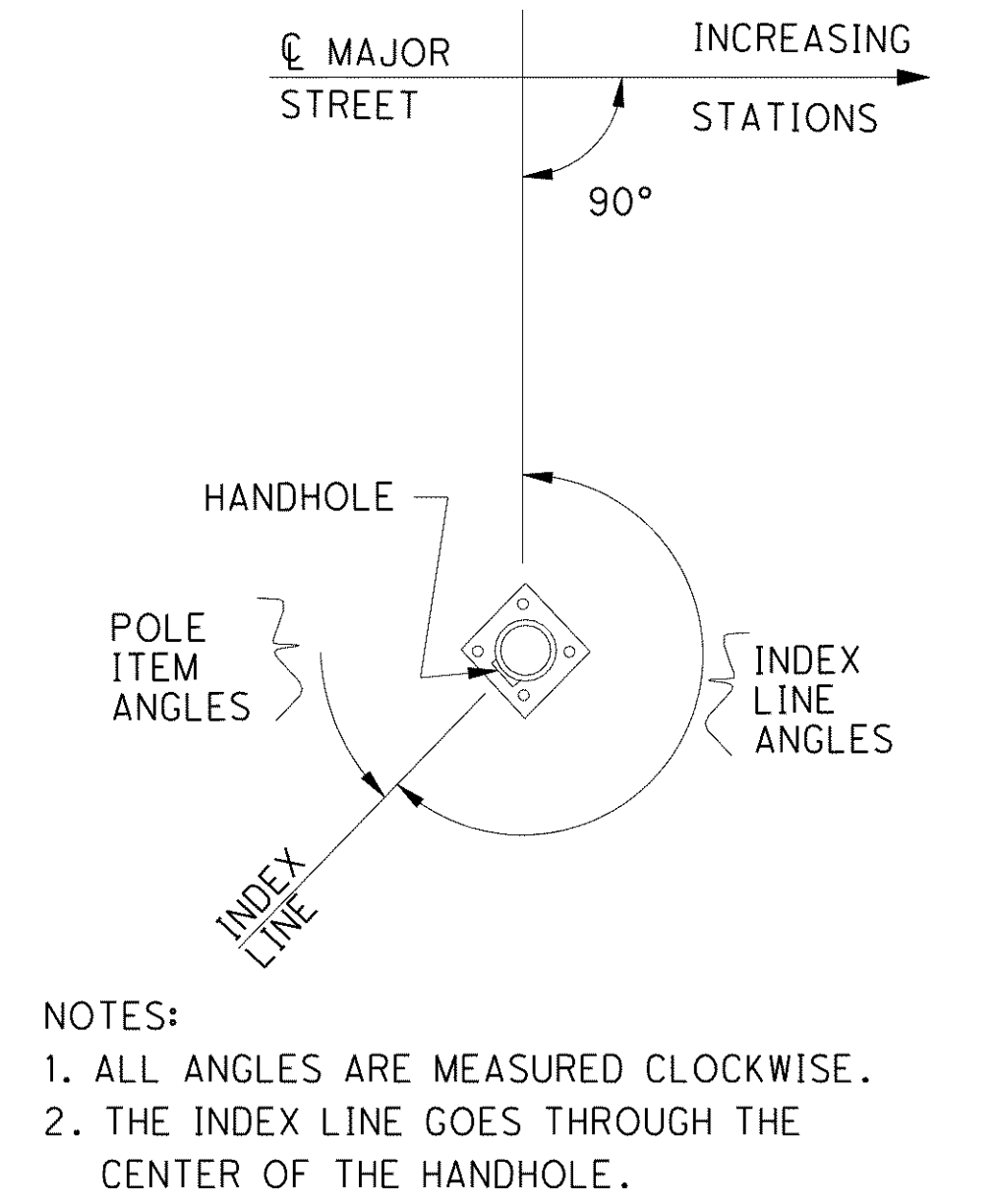
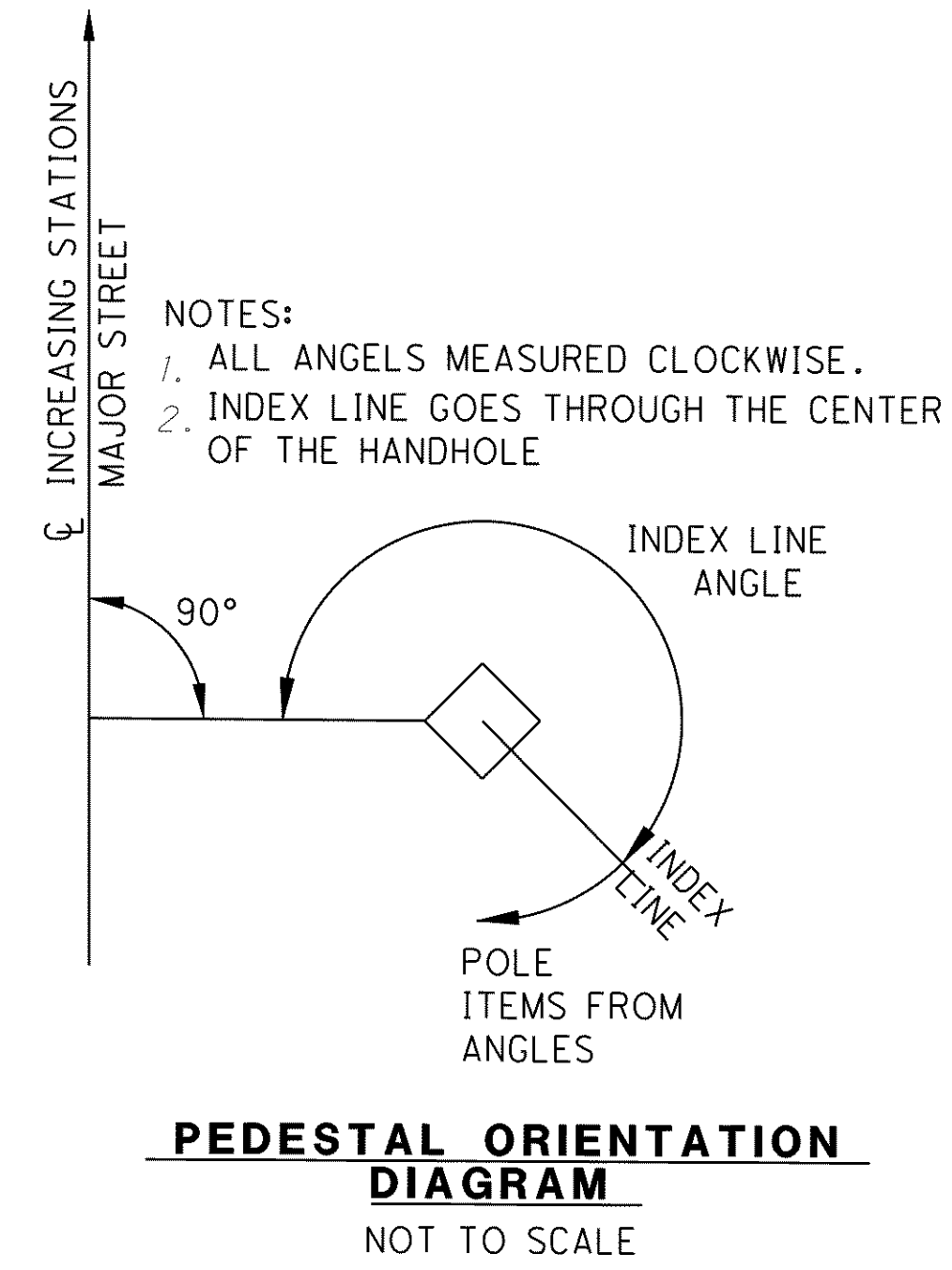
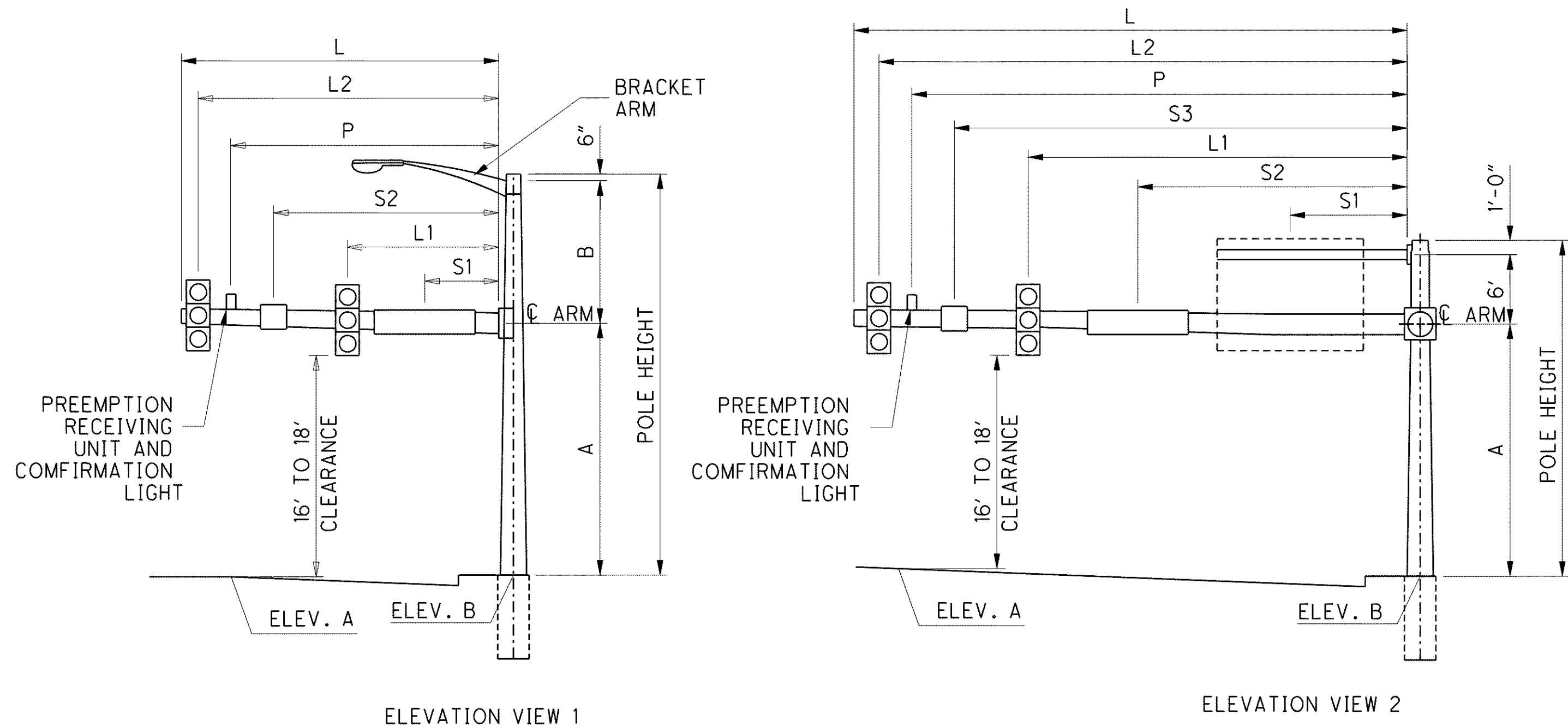
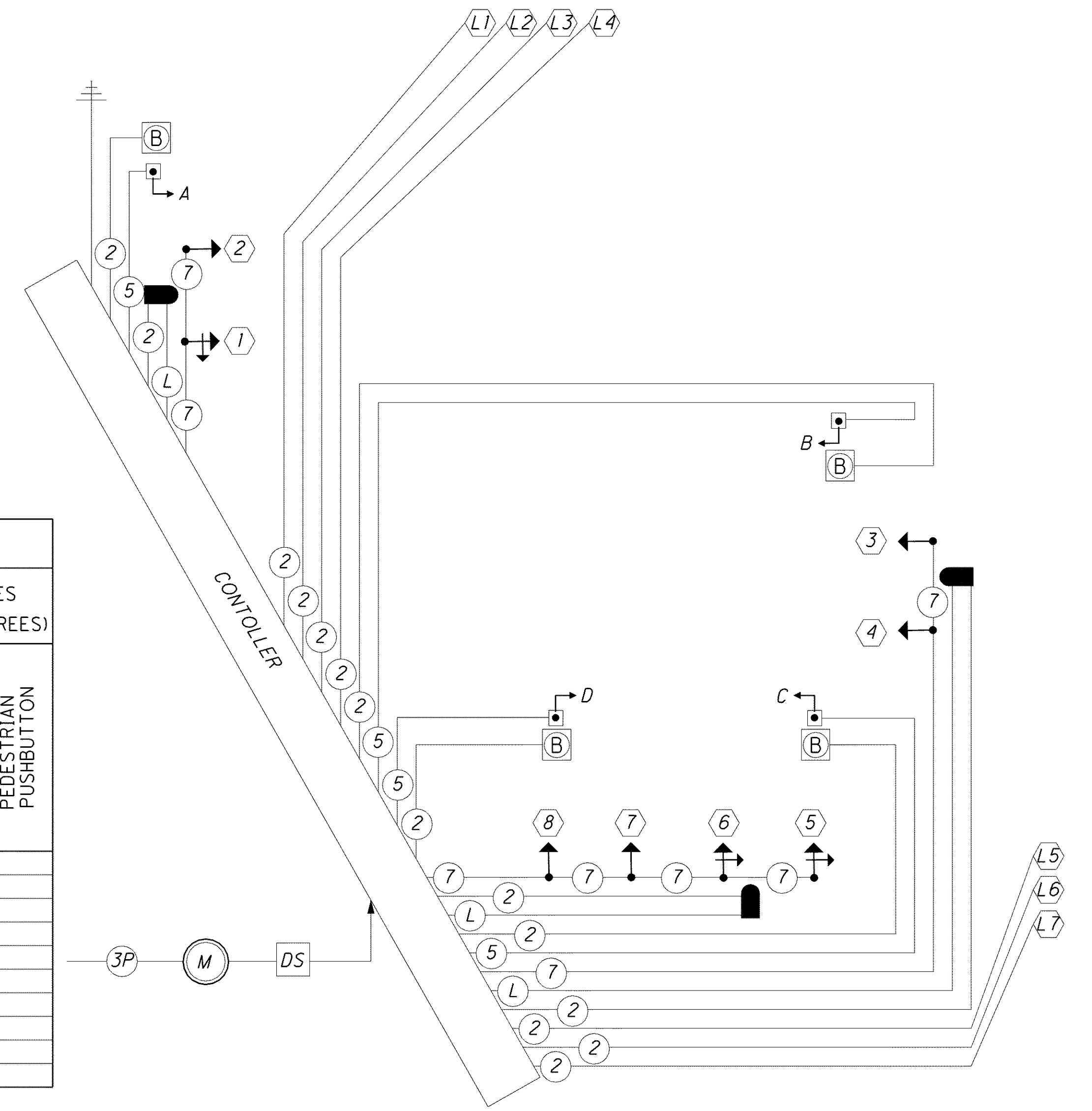


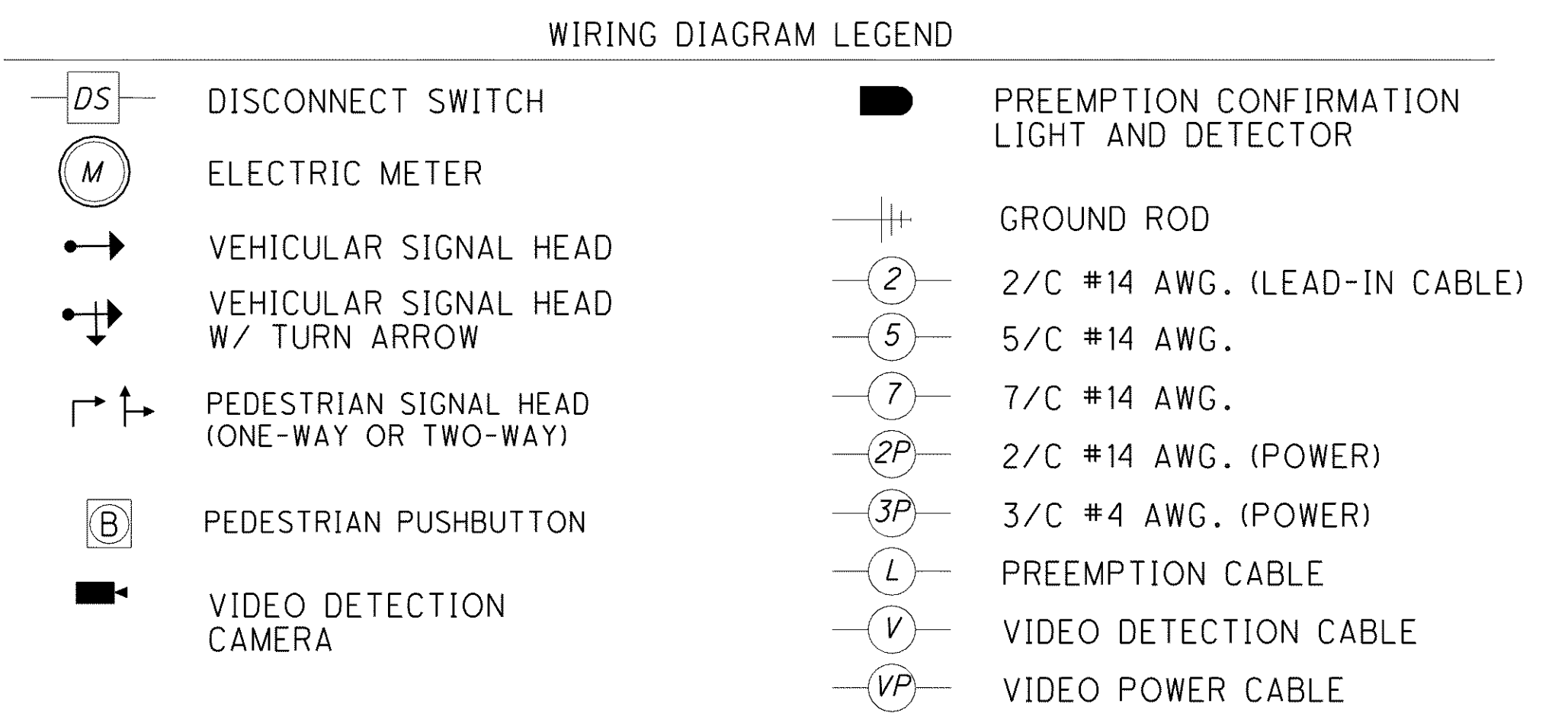
\\Akrn01\Data\Civil\2004108\00\13486\signals\sheets\13486CPREY01B.dgn 6/16/2008 9:29:48 AM svarracchia



FROM SHEET NO.	POLE NUMBER	LOCATION		HEIGHT (FT.)	INDEX LINE ANGLE (DEG.) (CENTER OF HANDHOLE)	ORIENTATION ANGLES FROM INDEX LINE (DEGREES)					
		STATION	OFFSET			PEDESTRIAN SIGNALS	VEHICULAR SIGNALS	PEDESTRIAN PUSHBUTTON	PEDESTRIAN PUSHBUTTON		
1194	P1-4	17+70	47.5' RT.	8	50	C=TOP		C=180			
1194	P1-5	16+02	40.5' LT.	8	180	A=TOP		A=90			
1194	P1-6	17+56	41' LT.	8	270	B=TOP		B=180			



WIRING DIAGRAM



FROM SHEET NO.	ELEVATION VIEW	SUPPORT NO.	SUPPORT DESIGN NO.	MAST ARM DESIGN NO.	POLE HEIGHT (FT.)	MOUNTING HT.		L (FT.)	S1 (FT.)	S2 (FT.)	L1 (FT.)	L2 (FT.)	L3 (FT.)	L4 (FT.)	P (FT.)	ELEVATION		MAST ARM A ORIENTATION ANGLE (DEGREES)	ORIENTATION ANGLES (DEG.) FROM MAST ARM A					
						A	B									PEDESTRIAN SIGNAL	PEDESTRIAN PUSHBUTTON		HANDHOLE	BRACKET ARM	SIGN ARM	WEATHERHEAD		
1194	1	P1-1	3	3	20	18.5		34			14	33		23	645.5	645.9	0							
1194	1	P1-2	11	11	23	21.5		44	14		8	20	32	43	38	647.0	644.5	355	290	0	180			200
1194	2	P1-3	6#	2	28	21		27			14	26		20	650.0	649.2	80			180			0	

TYPE TC-12.30