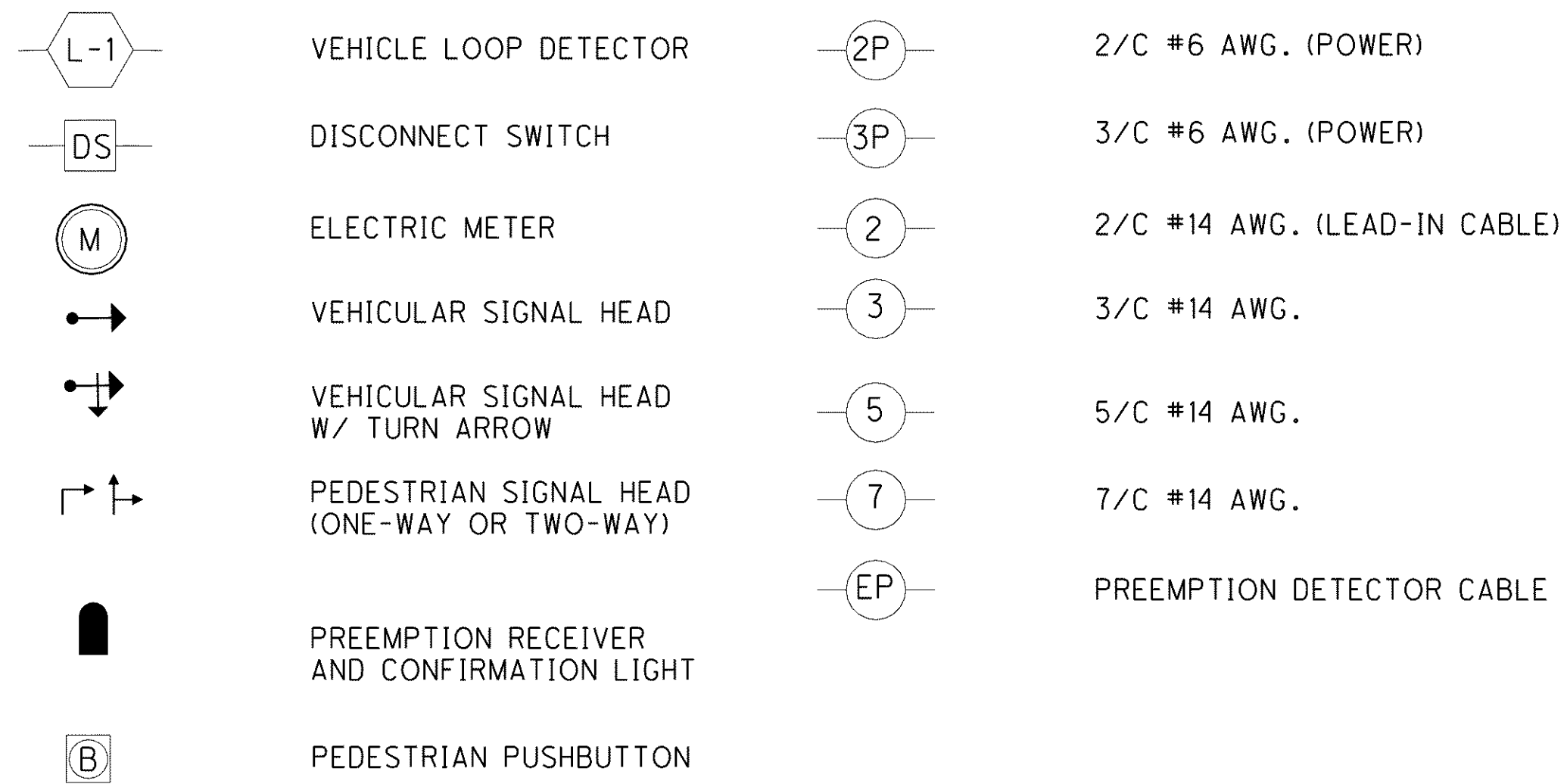
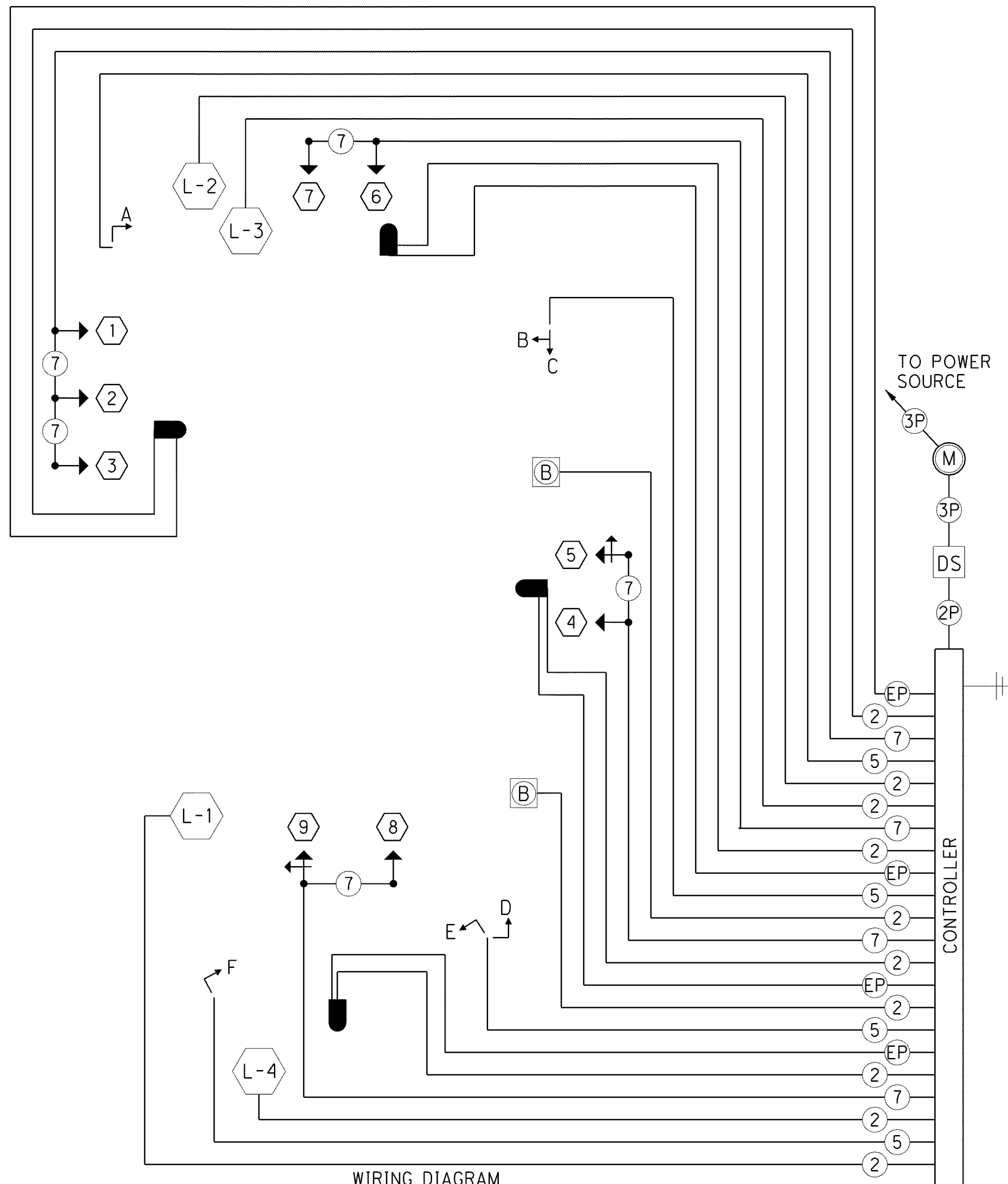


WIRING DIAGRAM LEGEND



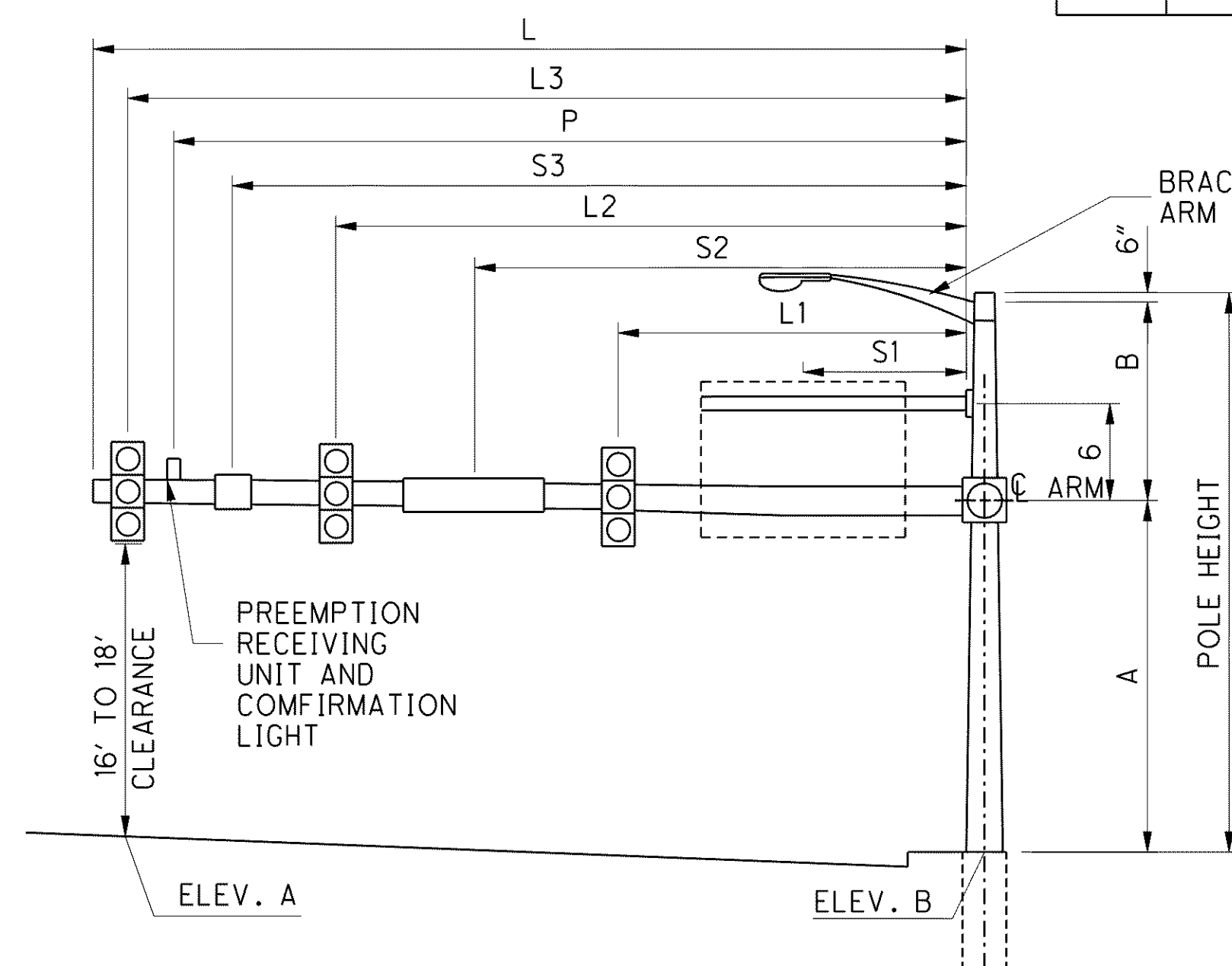
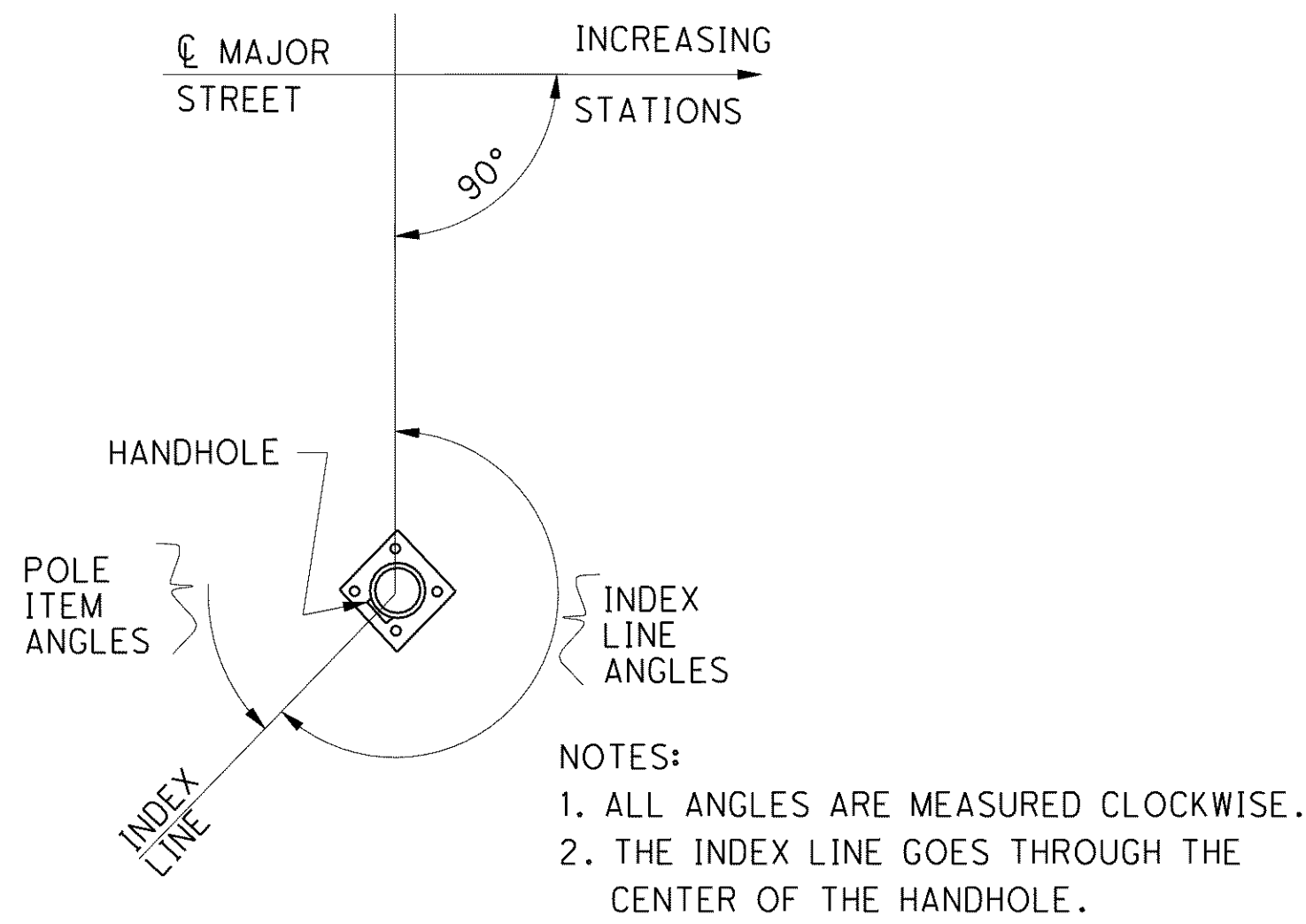
SIGNAL SUPPORT																							
SIGNAL SUPPORT TYPE TC-81.20															ELEVATION		MAST ARM A ORIENTATION ANGLE (DEGREES)	ORIENTATION ANGLES (DEG.) FROM MAST ARM A					
FROM SHEET NO.	ELEVATION VIEW	SUPPORT NO.	SUPPORT DESIGN NO.	MAST ARM DESIGN NO.	POLE HEIGHT (FT.)	MOUNTING HT.		L (FT.)	L1 (FT.)	S1 (FT.)	L2 (FT.)	S2 (FT.)	L3 (FT.)	P (FT.)	A	B		MAST ARM "B"	PEDESTRIAN SIGNAL	PEDESTRIAN PUSHBUTTON	HANDHOLE	BRACKET ARM	SIGN SUPPORT ARM
						A	B																
1189	1	P3-1	5#	12 5#	27	20	6.5	48	23	10	35	29	47	45	625.5	625.4	0				180	0	0
1189	2	P3-2	11	11	27	20	6.5	38	25	13	37			35	625.0	625.3	90	B=0 C=270		180	0		
1189	2	P3-3	6#	11	27	19.5 19.5	7	42 43	29 31	14 15	41 42			39 29	625.2 625.1	625.8	0	D=0 E=240		180	0		

TYPE TC-12.30

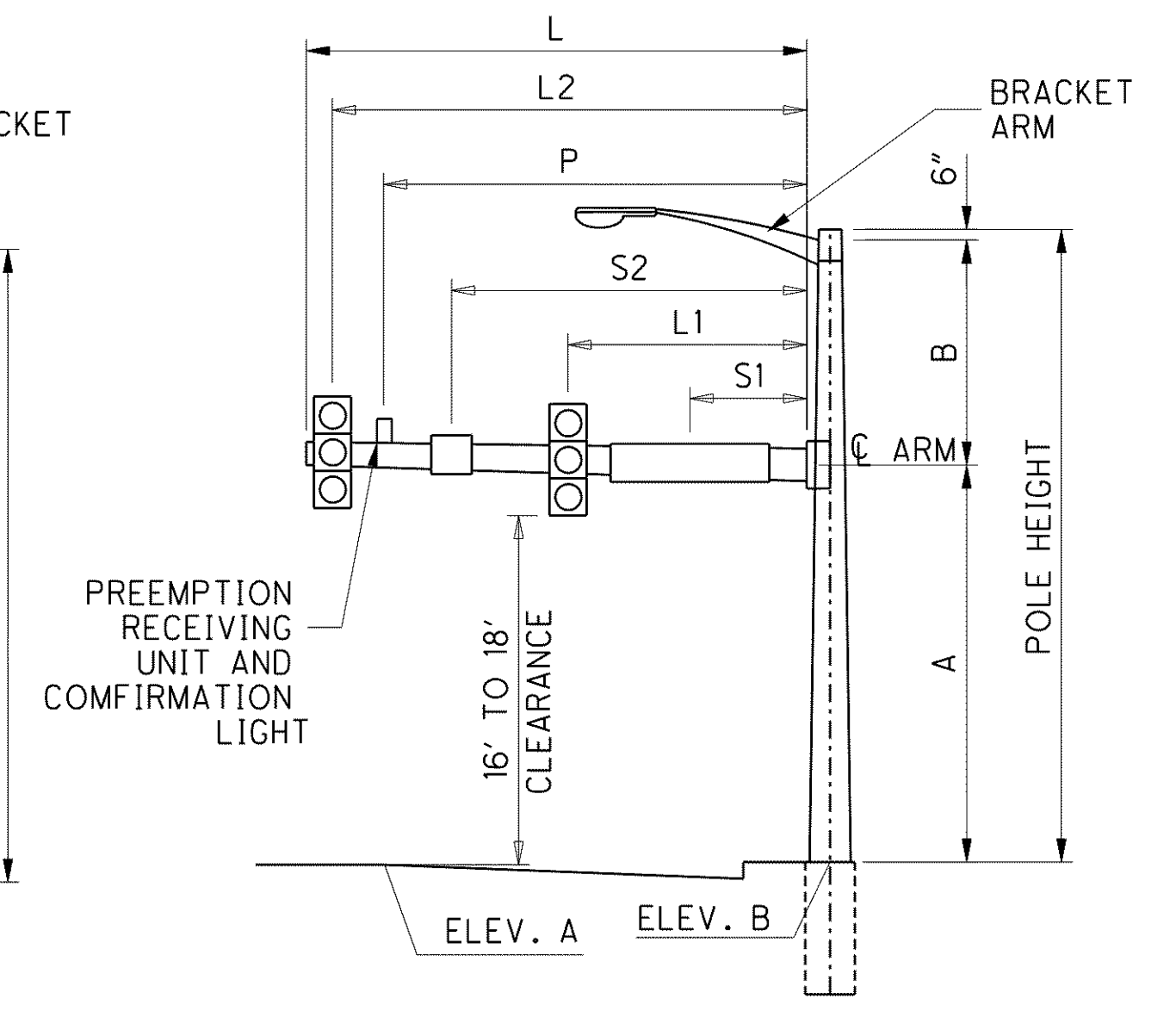


WIRING DIAGRAM

FOR LIGHTING PLANS, QUANTITIES AND WIRING SEE THE LIGHTING PLANS.



ELEVATION VIEW 1



ELEVATION VIEW 2

PEDESTAL									
FROM SHEET NO.	POLE NUMBER	LOCATION	HEIGHT (FT.)	INDEX LINE ANGLE (DEG.) (CENTER OF HANDHOLE)	ORIENTATION ANGLES FROM INDEX LINE (DEGREES)				
					PEDESTRIAN SIGNALS	PEDESTRIAN SIGNALS	PEDESTRIAN PUSHBUTTON	PEDESTRIAN PUSHBUTTON	
1189	P3-4	66+97	75.5' RT	8	0	A=270			
	P3-5	67+58	44' RT	5	0			90	
	P3-6	67+65	47.5' LT	5	15			90	
	P3-7	66+98	73' RT	8	60	F=0			

o:\project\lak\13486\signals\sheet\13486CP1.03B.dgn 6/23/2008 10:31:22 AM jmadefia