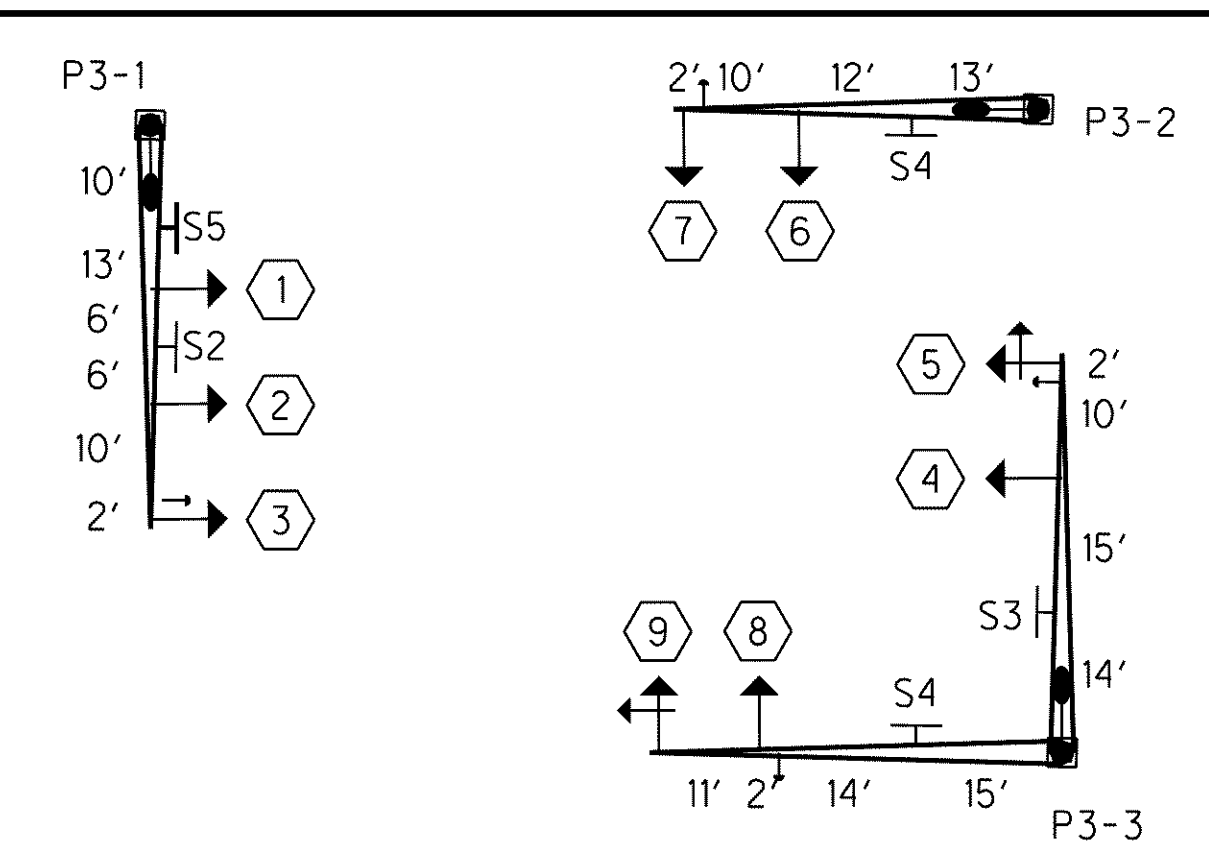
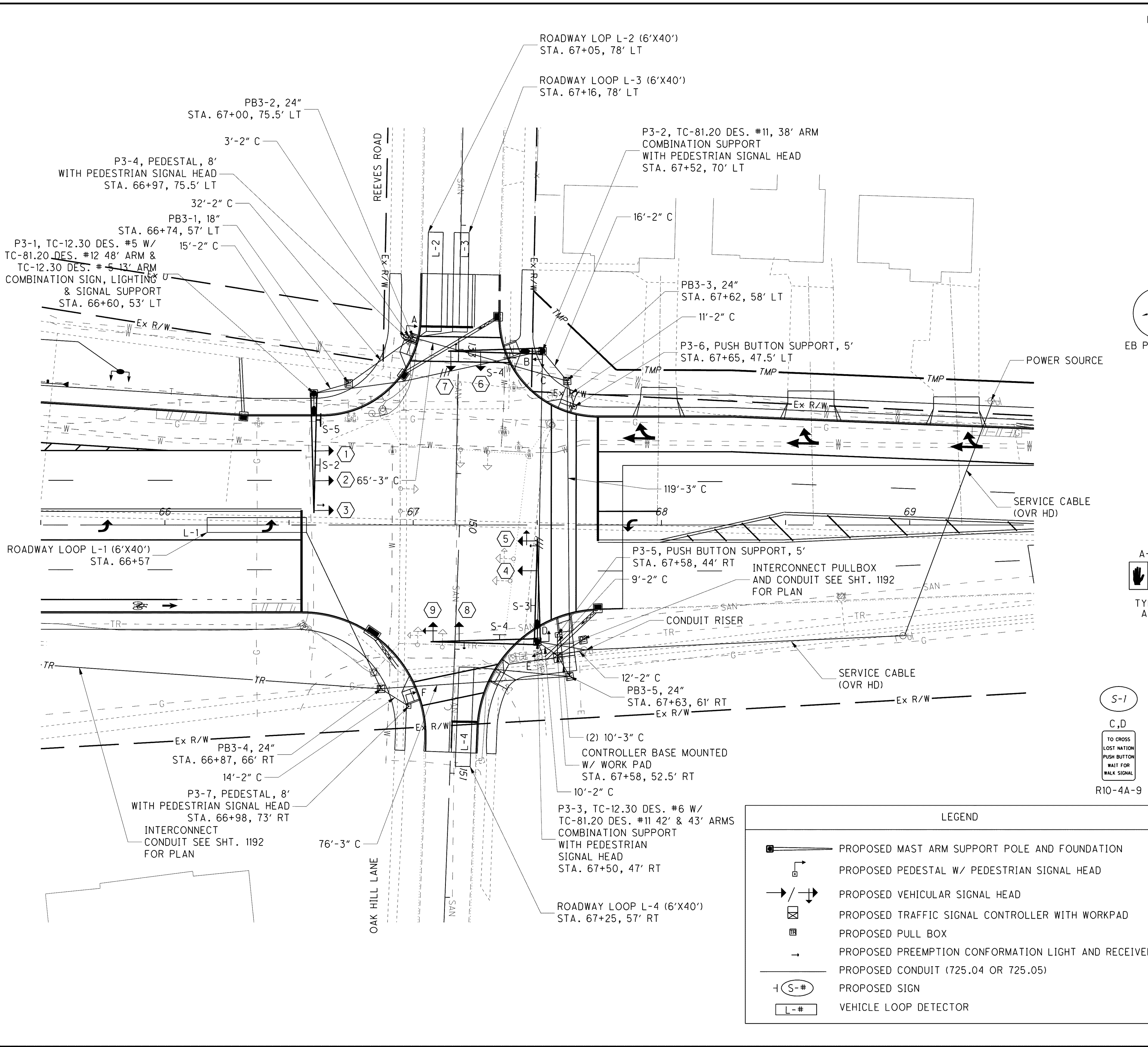
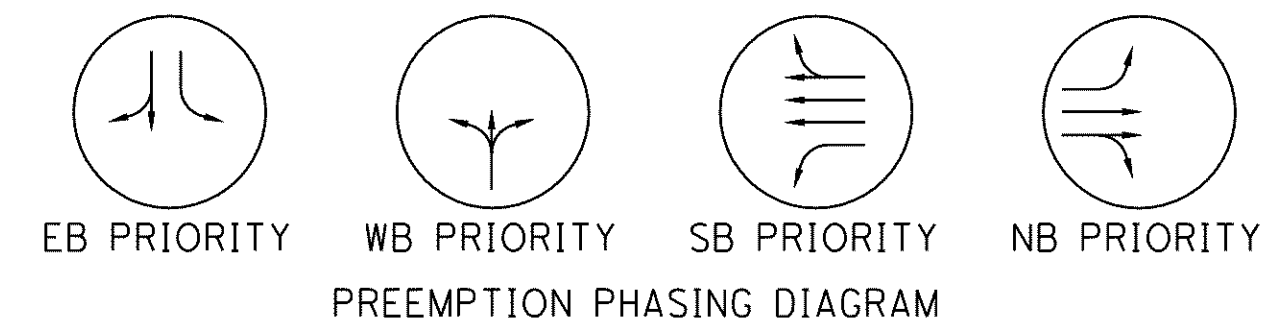


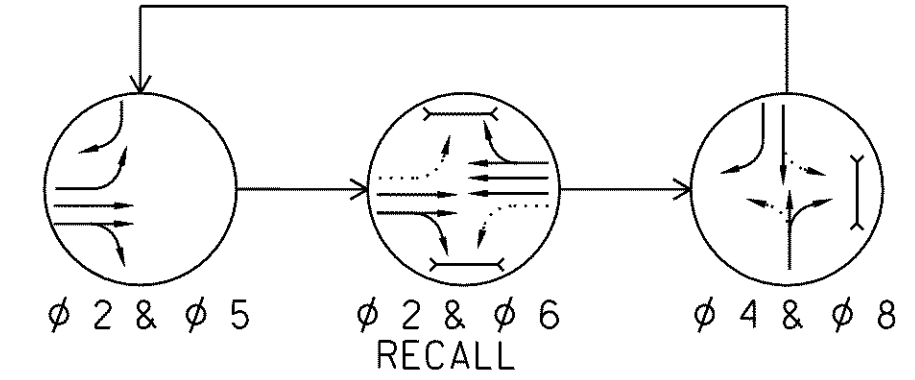
o:\project\lak\13486\signals\sheets\13486CP1.03.dgn 6/23/2008 10:30:57 AM jmadaria



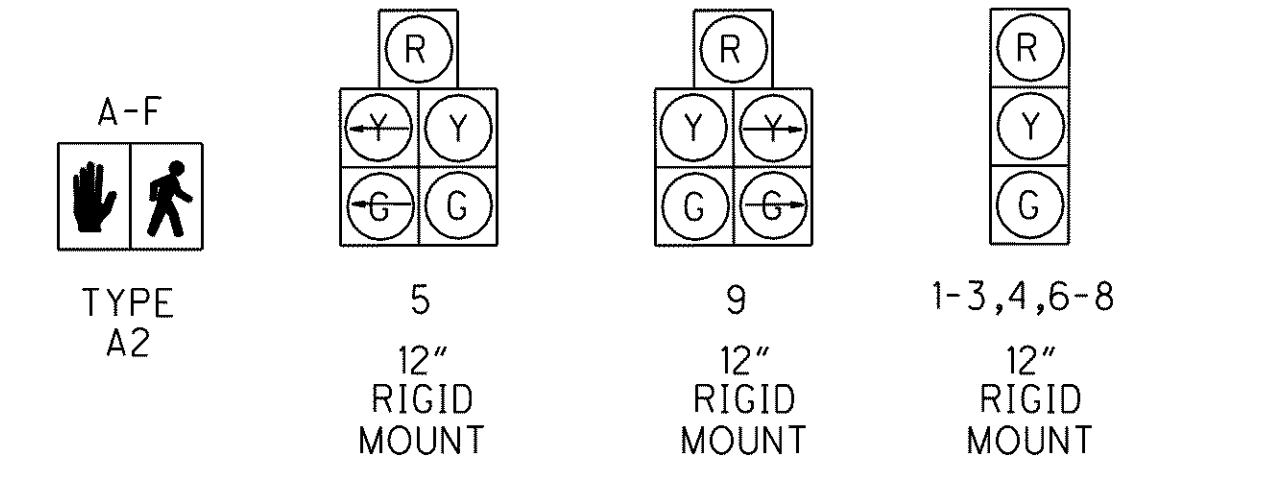
MAST ARM DIAGRAM
SEE SHT. 1191 FOR ORIENTATIONS
ALL DIM. TO SIGNS ARE TO THE CENTER OF THE SIGN



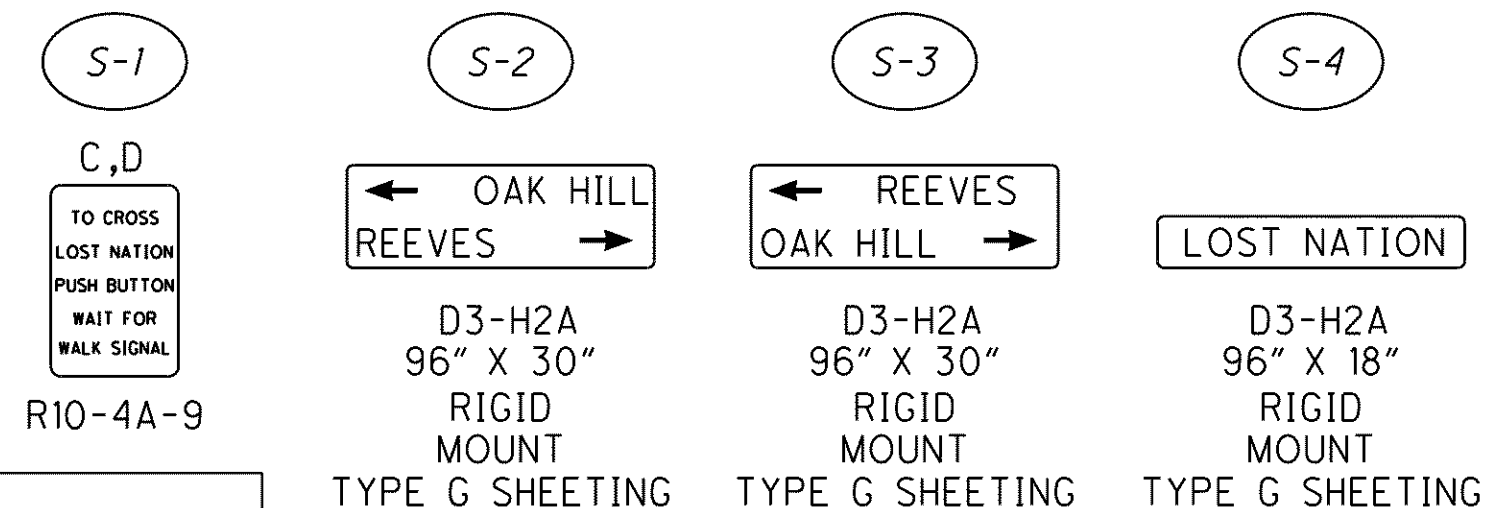
PREEMPTION PHASING DIAGRAM



PHASING DIAGRAM



SIGNAL INDICATIONS



R10-4A-9

LEGEND	
	PROPOSED MAST ARM SUPPORT POLE AND FOUNDATION
	PROPOSED PEDESTAL W/ PEDESTRIAN SIGNAL HEAD
	PROPOSED VEHICULAR SIGNAL HEAD
	PROPOSED TRAFFIC SIGNAL CONTROLLER WITH WORKPAD
	PROPOSED PULL BOX
	PROPOSED PREEMPTION CONFORMATION LIGHT AND RECEIVER
	PROPOSED CONDUIT (725.04 OR 725.05)
	PROPOSED SIGN
	VEHICLE LOOP DETECTOR

S5 OVERHEAD SIGN
LEVEL 3
10' x 5'
E1-H1

