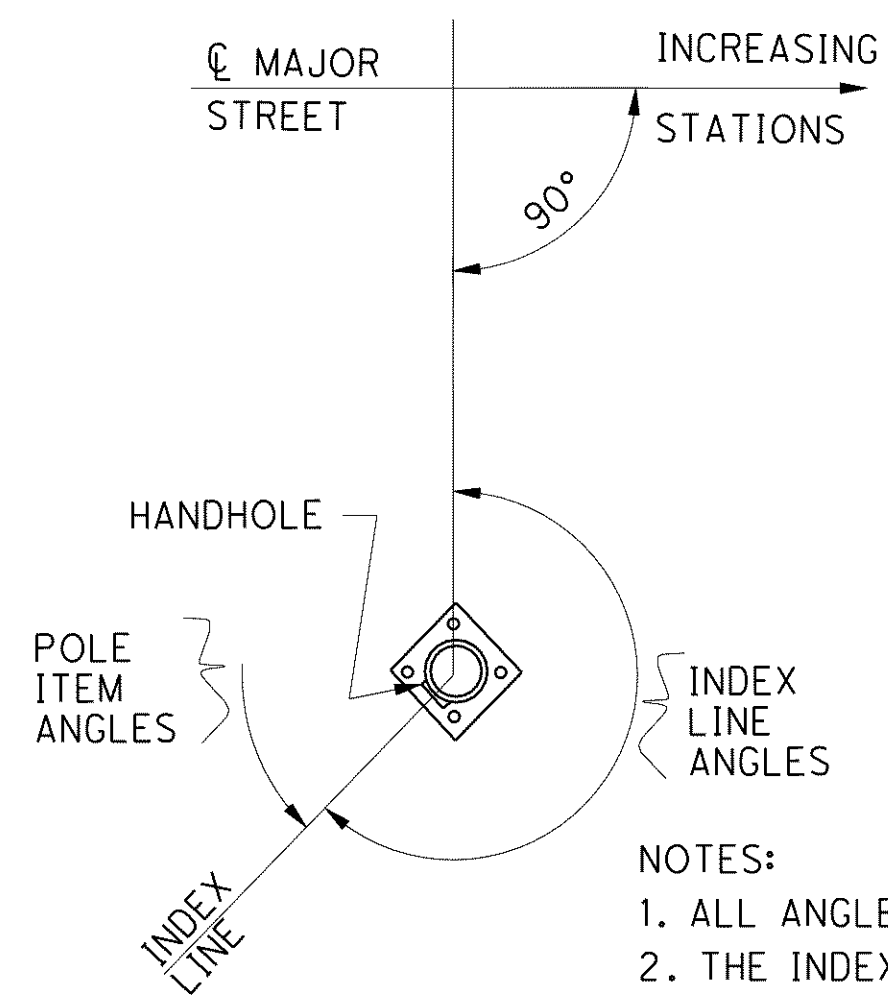


WIRING DIAGRAM LEGEND

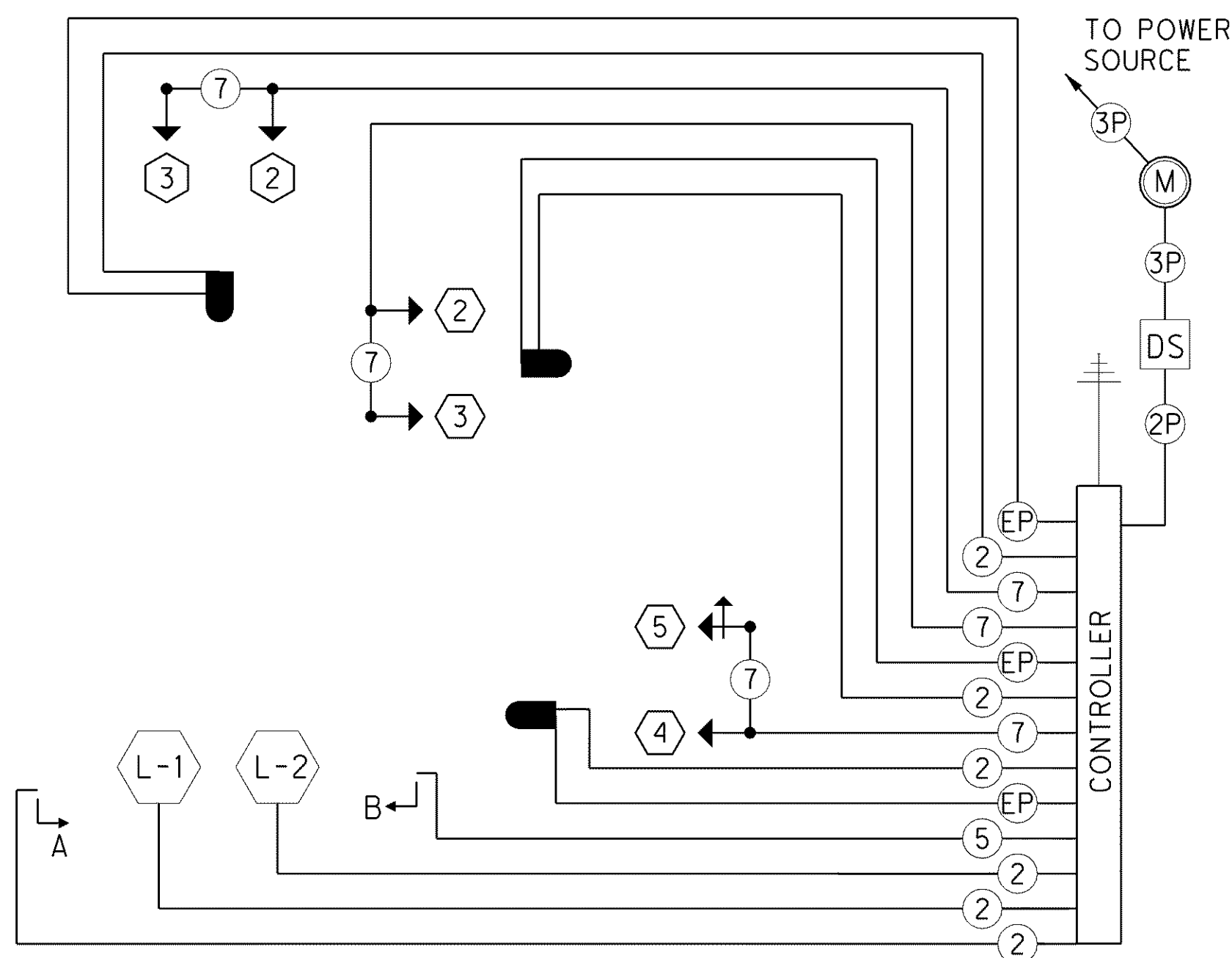
	VEHICLE LOOP DETECTOR		2/C #6 AWG. (POWER)
	DISCONNECT SWITCH		3/C #6 AWG. (POWER)
	ELECTRIC METER		2/C #14 AWG. (LEAD-IN CABLE)
	VEHICULAR SIGNAL HEAD		3/C #14 AWG.
	VEHICULAR SIGNAL HEAD W/ TURN ARROW		5/C #14 AWG.
	PEDESTRIAN SIGNAL HEAD (ONE-WAY OR TWO-WAY)		7/C #14 AWG.
	PREEMPTION RECEIVER AND CONFIRMATION LIGHT		PREEMPTION DETECTOR CABLE
	PEDESTRIAN PUSHBUTTON		

SIGNAL SUPPORT																							
SIGNAL SUPPORT TYPE TC-81.20													ELEVATION		ORIENTATION ANGLES (DEG.) FROM MAST ARM A								
FROM SHEET NO.	ELEVATION VIEW	SUPPORT NO.	SUPPORT DESIGN NO.	MAST ARM DESIGN NO.	POLE HEIGHT (FT.)	MOUNTING HT.		L (FT.)	L1 (FT.)	S1 (FT.)	L2 (FT.)	S2 (FT.)	L3 (FT.)	P (FT.)	A	B	MAST ARM A ORIENTATION ANGLE (DEGREES)	MAST ARM "B"	PEDESTRIAN SIGNAL	PEDESTRIAN PUSHBUTTON	HANDHOLE	BRACKET ARM	SIGN SUPPORT ARM
						A	B																
1186	1	P2-1	*	*	27	21	5.5	59	46		58	58		56	626.2	625.2	0				180	0	
				*		21		23	10	5	22			20				90					
1186	1	P2-2	11	11	27	20	6.5	39	26		38			36	626.1	626.3	0				90	0	

* FOR POLE AND ARM DESIGN SEE SHEET 1038

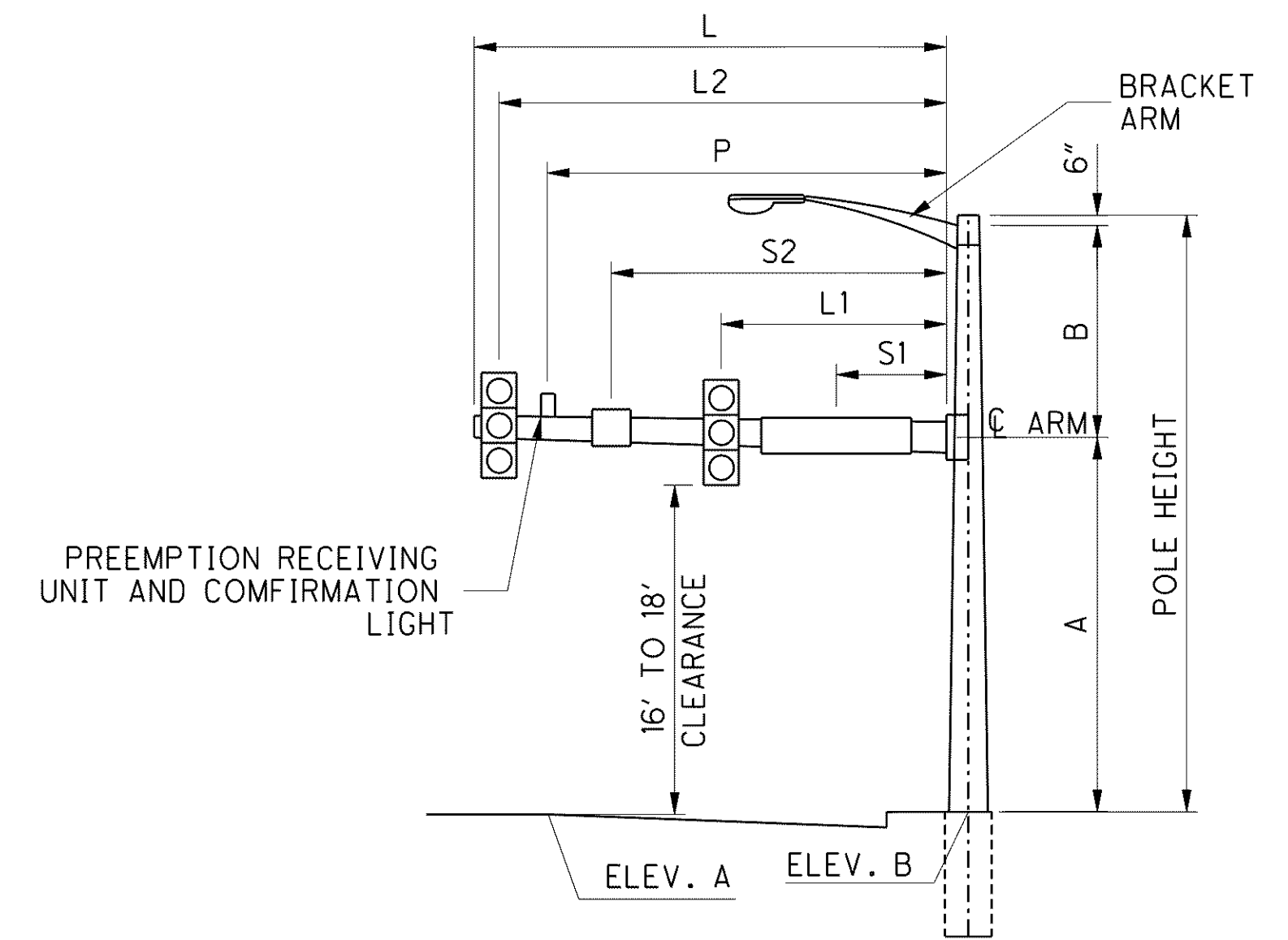


PEDESTAL									
FROM SHEET NO.	POLE NUMBER	LOCATION		HEIGHT (FT.)	INDEX LINE ANGLE (DEG.) (CENTER OF HANDHOLE)	ORIENTATION ANGLES FROM INDEX LINE (DEGREES)			
		STATION	OFFSET			PEDESTRIAN SIGNALS	PEDESTRIAN SIGNALS	PEDESTRIAN PUSHBUTTON	PEDESTRIAN PUSHBUTTON
1186	P2-3	64+10.5	73' RT	8	60	A=30			
	P2-4	64+72	73' RT	8	300	B=270			



WIRING DIAGRAM

FOR LIGHTING PLANS, QUANTITIES AND WIRING SEE THE LIGHTING PLANS.



ELEVATION VIEW 1

o:\project\lak\13486\signals\sheet\13486CP102B.dgn 6/23/2008 10:30:46 AM jmadaria

CALCULATED
CHECKED

TRAFFIC SIGNAL WIRING DIAGRAM AND POLE DETAILS

LAK-2-3.32

1188
1679