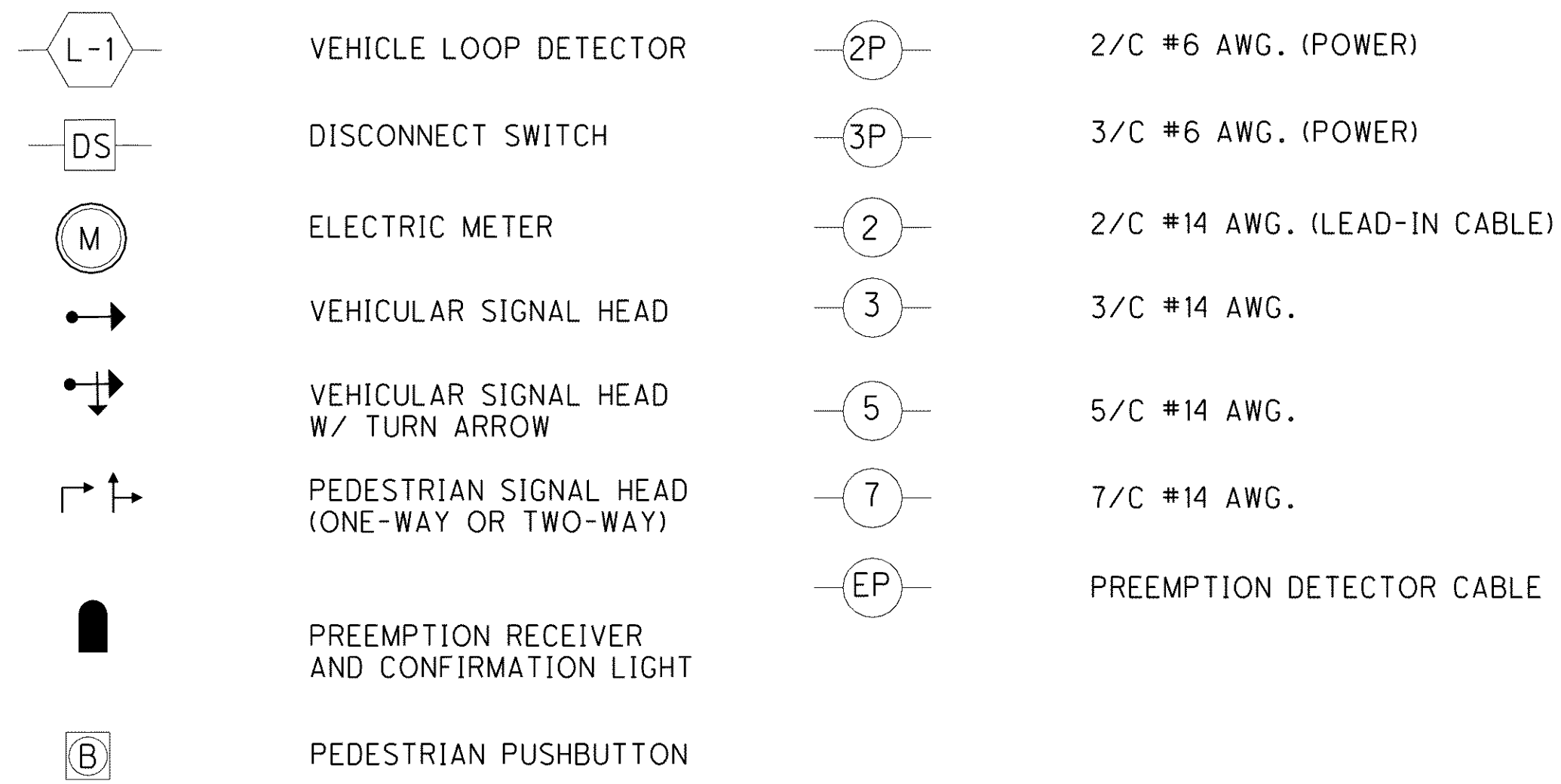
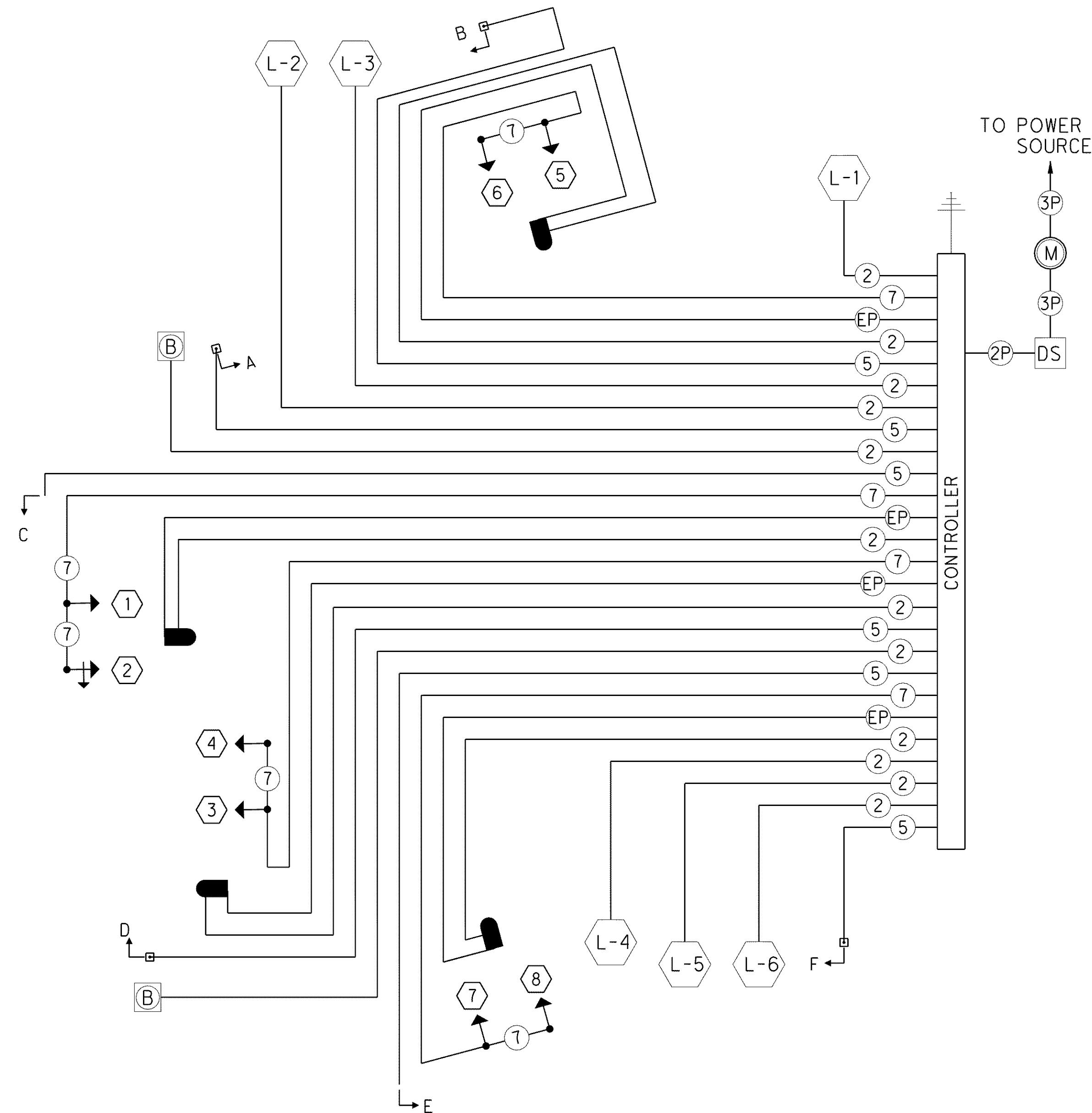


WIRING DIAGRAM LEGEND



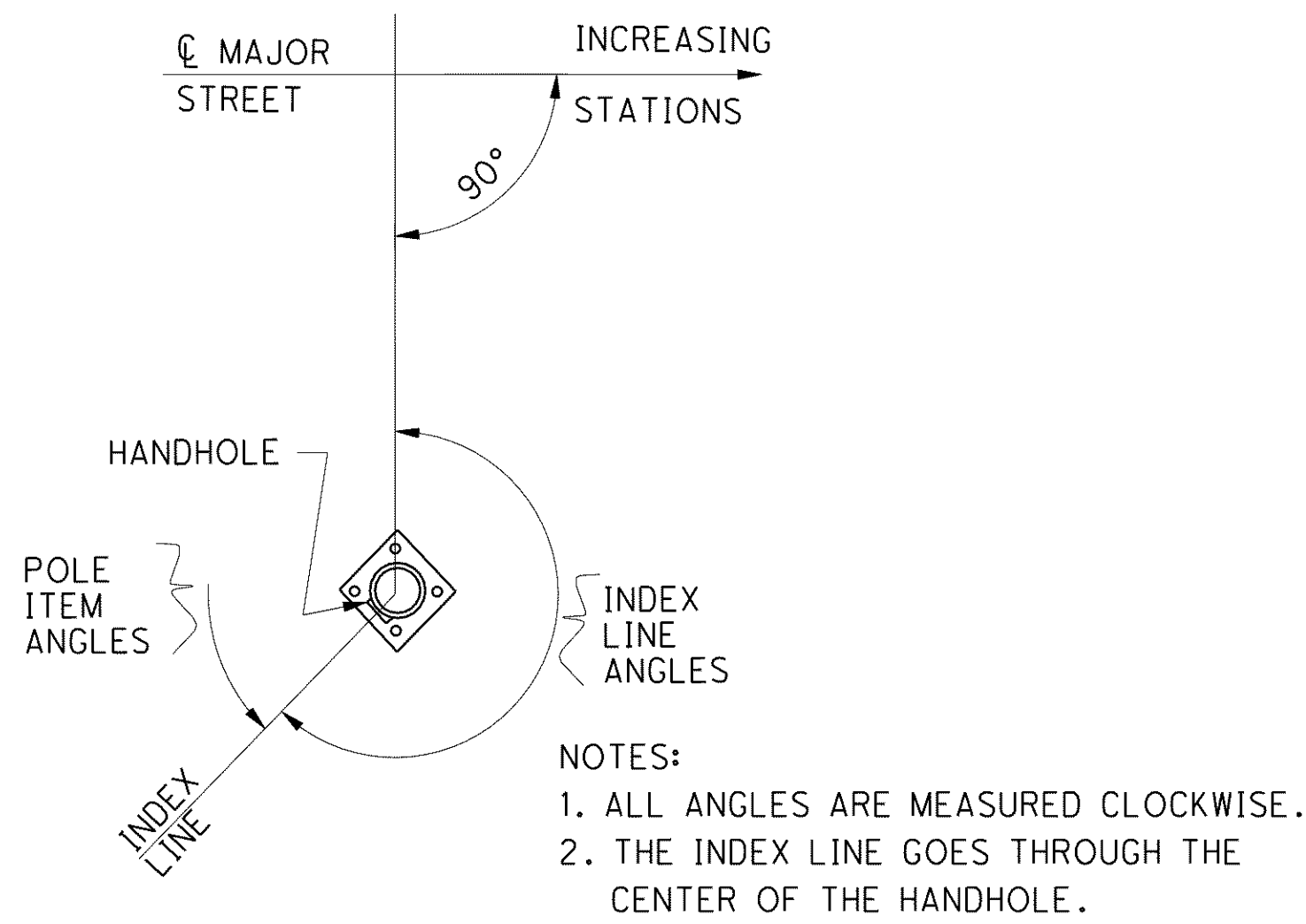
SIGNAL SUPPORT																						
SIGNAL SUPPORT TYPE TC-81.20															ELEVATION		MAST ARM A ORIENTATION ANGLE (DEGREES)	ORIENTATION ANGLES (DEG.) FROM MAST ARM A				
FROM SHEET NO.	ELEVATION VIEW	SUPPORT NO.	SUPPORT DESIGN NO.	MAST ARM DESIGN NO.	POLE HEIGHT (FT.)		L (FT.)	L1 (FT.)	S1 (FT.)	L2 (FT.)	S2 (FT.)	L3 (FT.)	P (FT.)	A	B	MAST ARM "B"		PEDESTRIAN SIGNAL	PEDESTRIAN PUSHBUTTON	HANDHOLE	BRACKET ARM	SIGN SUPPORT ARM
					A	B																
1183	1	P1-1	12	12	27	19.5	7.0	45	32	16	44			42	603.6	603.9	0		C=0	180	0	
1183	1	P1-2	2	2	27	17.5	9.0	29	10	5	28			26	605.7	608.0	75			180	0	
1183	2	P1-3	5#	11	26.5	19.5		44	31	13	43	24		41	604.6	604.9	0			180		0
1183	1	P1-4	12	12	27	20.0	6.5	48	35	17	47			45	606.7	606.4	75		E=15	180	0	

TYPE TC-12.30

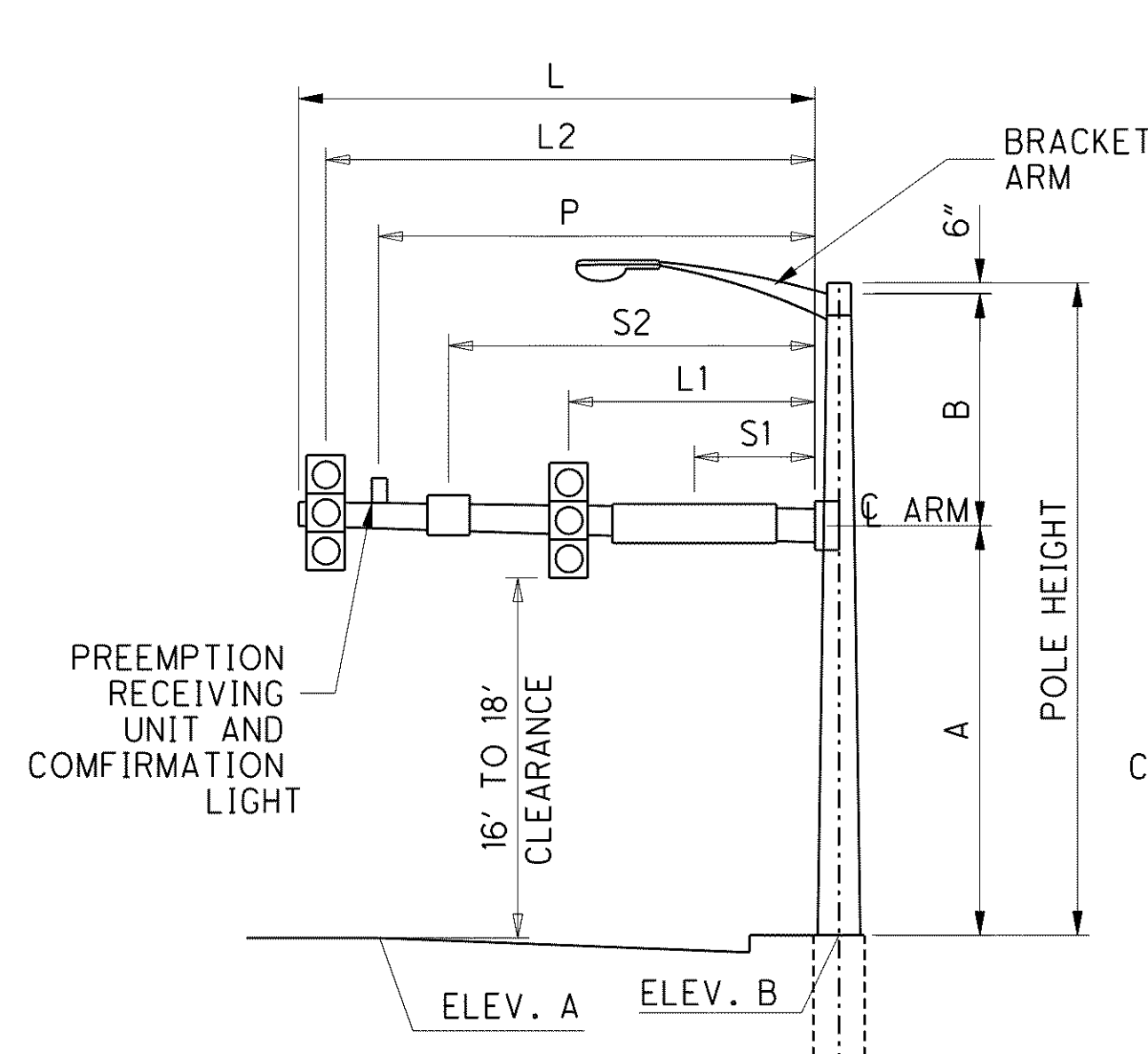


WIRING DIAGRAM

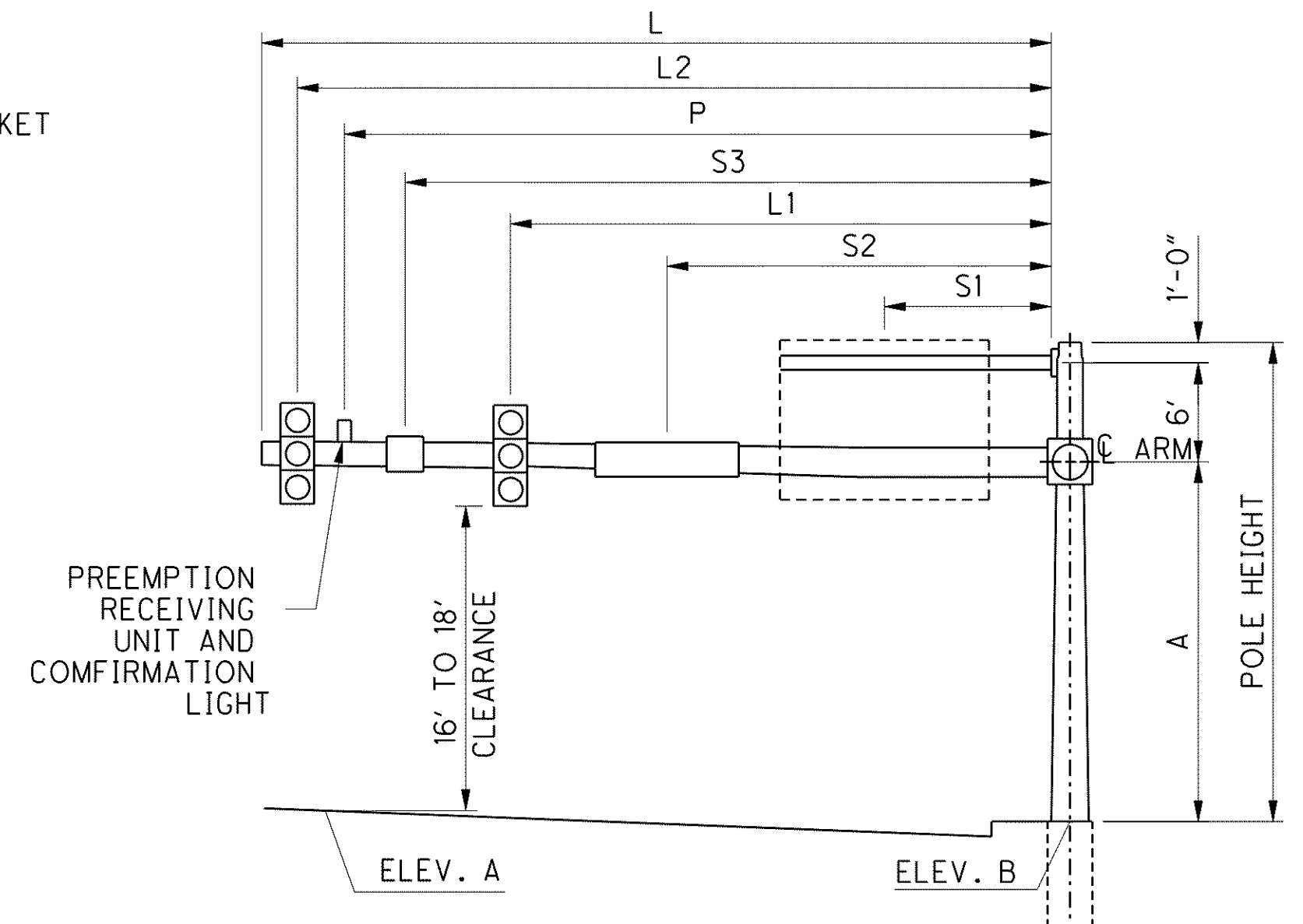
FOR LIGHTING PLANS, QUANTITIES AND WIRING SEE THE LIGHTING PLANS.



PEDESTAL									
FROM SHEET NO.	POLE NUMBER	LOCATION		HEIGHT (FT.)	INDEX LINE ANGLE (DEG.) (CENTER OF HANDHOLE)	ORIENTATION ANGLES FROM INDEX LINE (DEGREES)			
		STATION	OFFSET			PEDESTRIAN SIGNALS	PEDESTRIAN SIGNALS	PEDESTRIAN PUSHBUTTON	PEDESTRIAN PUSHBUTTON
1183	P1-5	50+51.5	36.5' LT	5	180				C=270
1183	P1-6	50+74	67' LT	8	90	A=150			
1183	P1-7	51+32	91' LT	8	270	B=60			
1183	P1-8	50+57	40' RT	8	180	D=0			D=0
1183	P1-9	52+28	71' RT	8	90	F=270			



ELEVATION VIEW 1



ELEVATION VIEW 2

o:\project\lak\13486\signals\sheet\13486CP101B.dgn 6/23/2008 10:30:12 AM jmadaria