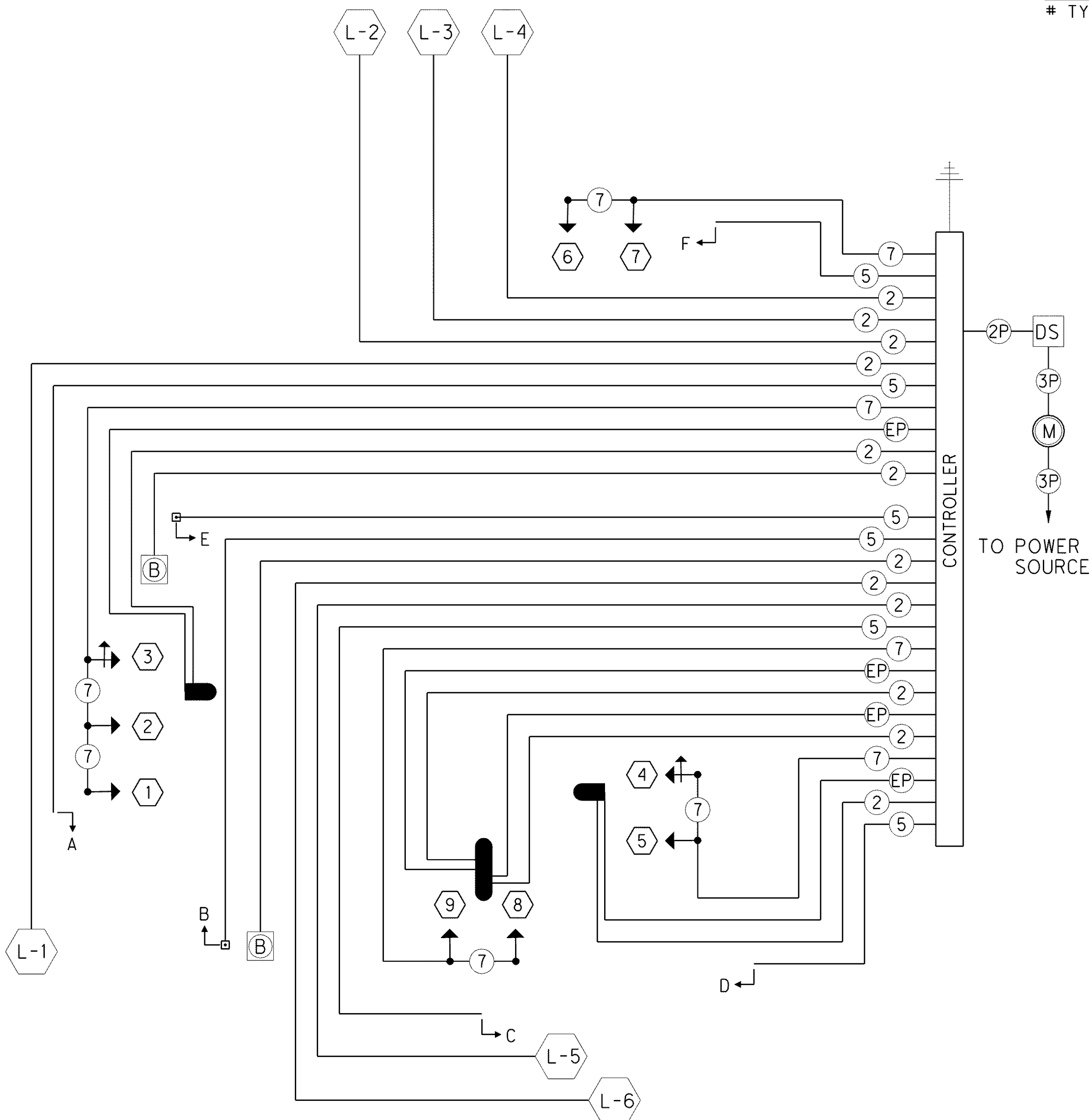


WIRING DIAGRAM LEGEND

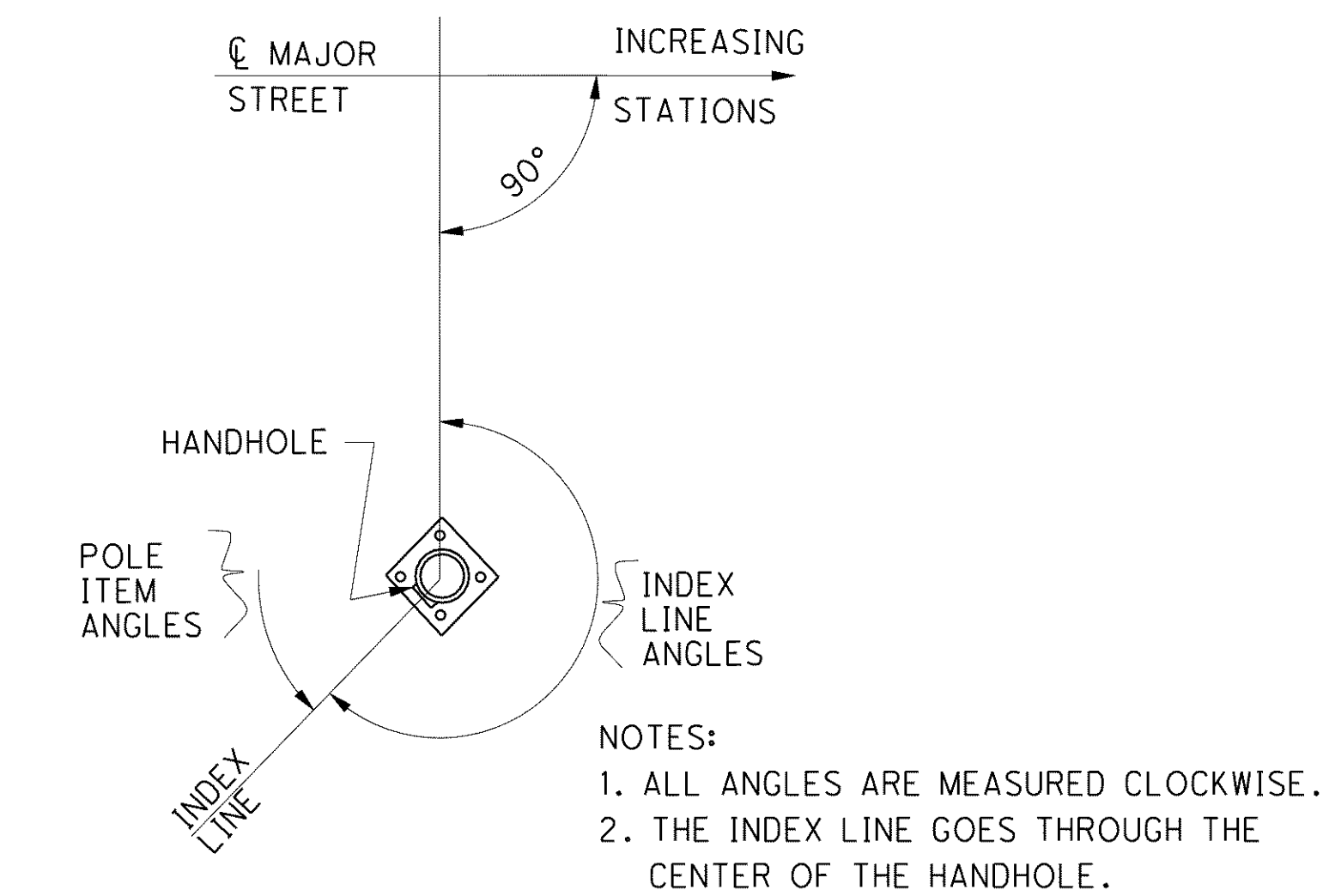
	VEHICLE LOOP DETECTOR		2/C #6 AWG. (POWER)
	DISCONNECT SWITCH		3/C #6 AWG. (POWER)
	ELECTRIC METER		2/C #14 AWG. (LEAD-IN CABLE)
	VEHICULAR SIGNAL HEAD		3/C #14 AWG.
	VEHICULAR SIGNAL HEAD W/ TURN ARROW		5/C #14 AWG.
	PEDESTRIAN SIGNAL HEAD (ONE-WAY OR TWO-WAY)		7/C #14 AWG.
	PREEMPTION RECEIVER AND CONFIRMATION LIGHT		PREEMPTION DETECTOR CABLE
	PEDESTRIAN PUSHBUTTON		



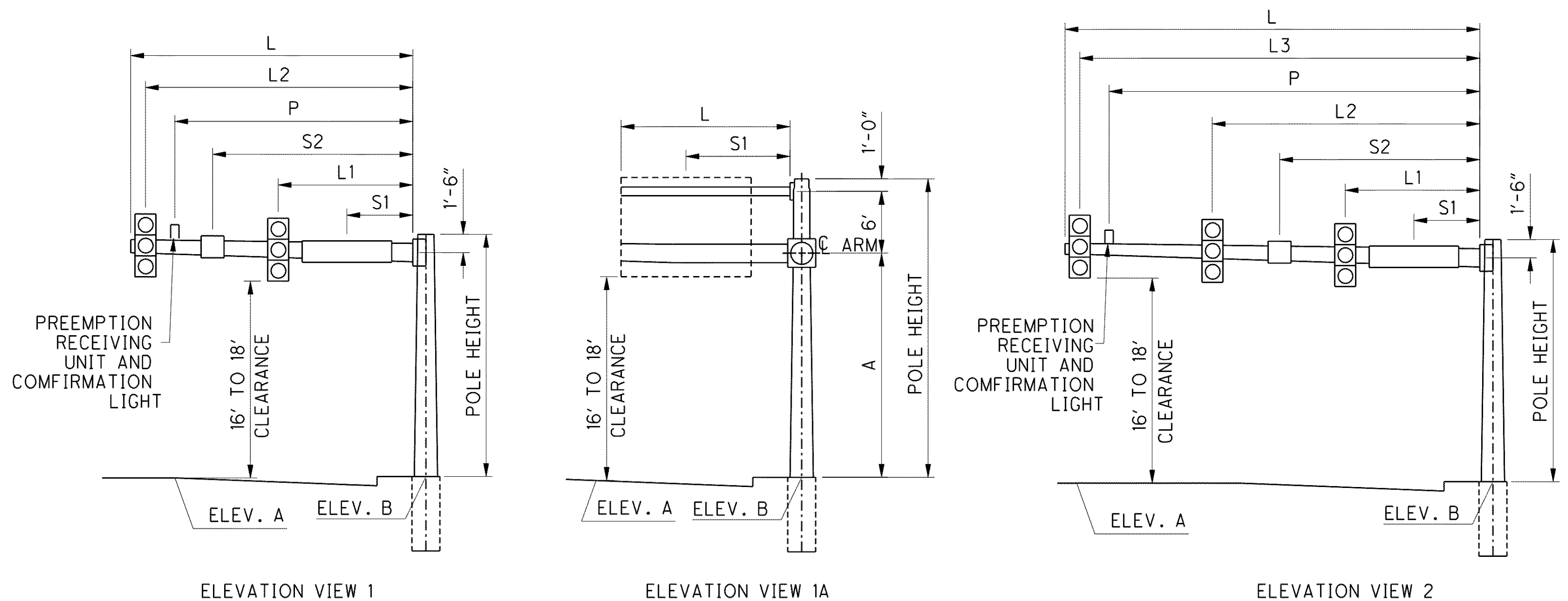
WIRING DIAGRAM

SIGNAL SUPPORT																									
SIGNAL SUPPORT TYPE TC-81.20															ELEVATION		ORIENTATION ANGLES (DEG.) FROM MAST ARM A								
FROM SHEET NO.	ELEVATION VIEW	SUPPORT NO.	SUPPORT DESIGN NO.	MAST ARM DESIGN NO.	POLE HEIGHT (FT.)	MOUNTING HT.		L (FT.)	L1 (FT.)	S1 (FT.)	L2 (FT.)	S2 (FT.)	L3 (FT.)	P (FT.)	A	B	MAST ARM A ORIENTATION ANGLE (DEGREES)	MAST ARM "B"	PEDESTRIAN SIGNAL	PEDESTRIAN PUSHBUTTON	HANDHOLE	BRACKET ARM	SIGN SUPPORT ARM		
						A	B																		
1180	2	P2-1	3	3	22	20.5		32	8	13	19		31	25	629.0	628.5	0		A=0		180				
1180	1	P2-2	6#	4	26.5	19.5		35	22	11	34				629.1	629.3	90		F=0		180			270	
	1A			6#		19.5		27		22					628.6										
1180	1	P2-3	12	12	21.5	20		46	27	16	45			36	628.8	628.9	0		D=270		0				
1180	1	P2-4	11	11	21	19.5		39	26	14	38			32	628.0	628.5	90		C=0		180				

# TYPE TC-12.30



PEDESTAL									
FROM SHEET NO.	POLE NUMBER	LOCATION	HEIGHT (FT.)	INDEX LINE ANGLE (DEG.) (CENTER OF HANDHOLE)	ORIENTATION ANGLES FROM INDEX LINE (DEGREES)				
					PEDESTRIAN SIGNALS	PEDESTRIAN SIGNALS	PEDESTRIAN PUSHBUTTON	PEDESTRIAN PUSHBUTTON	
1180	P2-5	131+66	58' LT	8	120	E=270			
1180	P2-6	131+55.5	48' RT	8	210	B=0		B=30	
1180	P2-7	131+73	64' RT	5	180			C=60	
1180	P2-8	131+49	37' LT	5	150			A=240	



ELEVATION VIEW 1

ELEVATION VIEW 1A

ELEVATION VIEW 2

o:\project\lak\13486\signals\sheet\13486CPV02B.dgn 6/23/2008 10:29:37 AM jmadaria